

# A-Class™ Mark II

Replacement Parts Catalog ■ ■ ■



right by our customers. ■ ■ ■



datamax·oneil



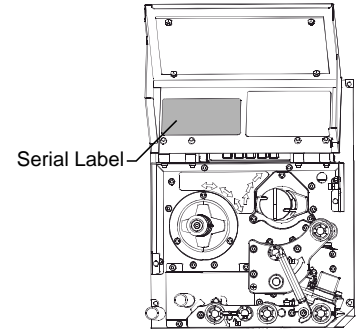
## Using this Catalog

To use this catalog, identify the model number (located on the serial label on the cover, see illustration), the output direction, and the equipped options of the printer.

In this catalog, exploded views identify parts by item numbers. These item numbers reference part numbers in the table that follows the exploded view. Descriptions help ensure that you find the correct part number. Following the main printer assembly, individual assemblies provide further localization.

This catalog is arranged according to model number, print width, output direction, and options for the following printer models:

- A-4212 Mark II
- A-4310 Mark II
- A-4408 Mark II
- A-4606 Mark II
- A-6212 Mark II
- A-6310 Mark II



For more information on ordering or about becoming a partner please contact:

**Datamax-O'Neil Customer Care**

407-523-5550

*customer care@datamax-oneil.com*

## Revision Listing

Date	Rev.	Changes
1/1/11	A	Initial Release
10/1/11	B	DPO51-2401-10 replaced with DPO78-2802-01 OPT78-2657-15 replaced with OPT78-2873-02 78-2806-01 replaced with DPO78-2806-01 78-2806-02 replaced with DPO78-2806-02 78-2806-11 replaced with DPO78-2806-11 78-2806-12 replaced with DPO78-2806-12
6/1/12	C	24-2604-01 replaced by DPO24-2604-01 (2 pack) 15-2776-21 replaced by DPR15-2776-21 (2 pack)
6/2/12	D	Corrected illustration for assembly 15-2975-XX. Items 1 and 2 were reversed
12/1/12	E	51-2404-10 CCA APPLICATOR ROHS Replaced with: DPO51-2404-10 (1/PK) CCA, APPLICATOR DPO17-3071-01 (5PK) SPRING TORSION Replaced with: DPO17-3221-01 (4PK) SPRING TORSION Added: DPO17-3104-02 Antenna R. Duck RP/SMA
12/1/13	F	Updated printhead cable illustration



# Contents

Four-Inch Right Hand Printer Assemblies.....	1
Printer Assembly 1 of 6 .....	2
Printer Assembly 2 of 6 .....	3
Printer Assembly 3 of 6 .....	4
Printer Assembly 4 of 6 .....	5
Printer Assembly 5 of 6 .....	6
Printer Assembly 6 of 6 .....	7
Lower Pinch Roller Assembly (15-2974-01) .....	10
Latch Assembly (15-2975-01) .....	11
Printhead Assembly (15-2977-01).....	12
Peel Roller Assembly (15-3019-02) .....	13
Take-up Roller Assembly (15-3019-03).....	13
Cover Assembly (15-3021-01).....	14
Printhead Pressure Assembly (15-3186-01).....	15
Platen Roller Removable (15-3215-01) .....	16
Card Cage Assembly (24-2685-XX) .....	17
Display Assembly (24-2691-01).....	18
Direct Thermal (78-2474-01) .....	19
Printhead / Pulley Kit, 203 DPI .....	20
Printhead / Pulley Kit, 300 DPI .....	21
Printhead / Pulley Kit, 406 DPI .....	22
Printhead / Pulley Kit, 600 DPI .....	23

Six-Inch Right Hand Printer Assemblies.....	25
Printer Assembly 1 of 6 .....	26
Printer Assembly 2 of 6 .....	27
Printer Assembly 3 of 6 .....	28
Printer Assembly 4 of 6 .....	29
Printer Assembly 5 of 6 .....	30
Printer Assembly 6 of 6 .....	31
Lower Pinch Roller Assembly (15-2974-02) .....	34
Latch Assembly (15-2975-02) .....	35
Printhead Assembly (15-2977-02).....	36
Peel Roller Assembly (15-3019-12) .....	37
Take-up Roller Assembly (15-3019-13).....	37
Cover Assembly (15-3021-02).....	38
Printhead Pressure Assembly (15-3186-02).....	39
Platen Roller Removable (15-3215-02) .....	40
Card Cage Assembly (24-2685-XX) .....	41
Display Assembly (24-2691-01).....	43
Direct Thermal (78-2474-01) .....	44
Printhead / Pulley Kit, 203 DPI .....	45
Printhead / Pulley Kit, 300 DPI .....	46

Four-Inch Left Hand Printer Assemblies.....	47
Printer Assembly 1 of 6 .....	48
Printer Assembly 2 of 6 .....	49
Printer Assembly 3 of 6 .....	50
Printer Assembly 4 of 6 .....	51
Printer Assembly 5 of 6 .....	52
Printer Assembly 6 of 6 .....	53
Lower Pinch Roller Assembly (15-2974-11) .....	56
Latch Assembly (15-2975-11) .....	57
Printhead Assembly (15-2977-11).....	58
Peel Roller Assembly (15-3019-02) .....	59
Take-up Roller Assembly (15-3019-03).....	59
Cover Assembly (15-3021-11).....	60
Printhead Pressure Assembly (15-3186-11).....	61
Platen Roller Removable (15-3215-11) .....	62
Card Cage Assembly (24-2685-XX) .....	63
Display Assembly (24-2691-01).....	64
Direct Thermal (78-2474-01) .....	65
Printhead / Pulley Kit, 203 DPI .....	66
Printhead / Pulley Kit, 300 DPI .....	67
Printhead / Pulley Kit, 406 DPI .....	68
Printhead / Pulley Kit, 600 DPI .....	69

Six-Inch Left Hand Printer Assemblies.....	71
Printer Assembly 1 of 6 .....	72
Printer Assembly 2 of 6 .....	73
Printer Assembly 3 of 6 .....	74
Printer Assembly 4 of 6 .....	75
Printer Assembly 5 of 6 .....	76
Printer Assembly 6 of 6 .....	77
Lower Pinch Roller Assembly (15-2974-12) .....	80
Latch Assembly (15-2975-12) .....	81
Printhead Assembly (15-2977-12).....	82
Peel Roller Assembly (15-3019-12) .....	83
Take-up Roller Assembly (15-3019-13).....	83
Cover Assembly (15-3021-12).....	84
Printhead Pressure Assembly (15-3186-12).....	85
Platen Roller Removable (15-3215-12) .....	86
Card Cage Assembly (24-2685-XX) .....	87
Display Assembly (24-2691-01).....	88
Direct Thermal (78-2474-01) .....	89
Printhead / Pulley Kit, 203DPI .....	90
Printhead / Pulley Kit, 300 DPI .....	91



Printer Options, All Models .....	93
Card, Memory, USB/SDIO (78-2801-XX) .....	94
Cutter, Linerless, Four-Inch Right Hand Models (61-2173-02) .....	95
Wi-Fi Interface (78-2657-15) .....	97
Remote Display Assembly .....	98
RFID .....	99
Ribbon Saver .....	102
Four-Inch Right Hand RS Models (78-2449-01) .....	103
Six-Inch Right Hand RS Models (78-2449-02) .....	103
Four-Inch Left Hand RS Models (78-2449-11) .....	104
Six-Inch Left Hand RS Models (78-2449-12) .....	104
Brake Assembly (24-2611-01) .....	105
Brake Assembly (24-2611-02) .....	106
Ribbon Saver Cam Assembly (15-3002-01) .....	107
Thermal Transfer .....	108
Four-Inch Right Hand Models (78-2448-41) .....	108
Six-Inch Right Hand Models (78-2448-42) .....	109
Four-Inch Left Hand Models (78-2448-43) .....	109
Six-Inch Left Hand Models (78-2448-44) .....	109
Ribbon Supply Hub Assembly .....	110
Four-Inch Models, All (15-2979-21) .....	110
Six-Inch Models, All (15-2979-22) .....	110
Ribbon Supply Hub, Four-Inch Models (15-3044-11) .....	111
Ribbon Supply Hub, Six-Inch Models (15-3044-12) .....	112
Ribbon Take-up Assembly .....	113
Four-Inch Right Hand Models (15-3007-01) .....	113
Six-Inch Right Hand Models (15-3007-02) .....	114
Four-Inch Left Hand Models (15-3007-11) .....	114
Six-Inch Left Hand Models (15-3007-12) .....	114
Top Pinch Roller, Right Hand Models .....	115
Four-Inch Right Hand Models (DPO78-2806-01) .....	115
Six-Inch Right Hand Models (DPO78-2806-02) .....	116
Top Pinch Roller, Left Hand Models .....	117
Four-Inch Left Hand Models (DPO78-2806-11) .....	117
Six-Inch Left Hand Models (DPO78-2806-12) .....	118



## **Four-Inch Right Hand Printer Assemblies:**

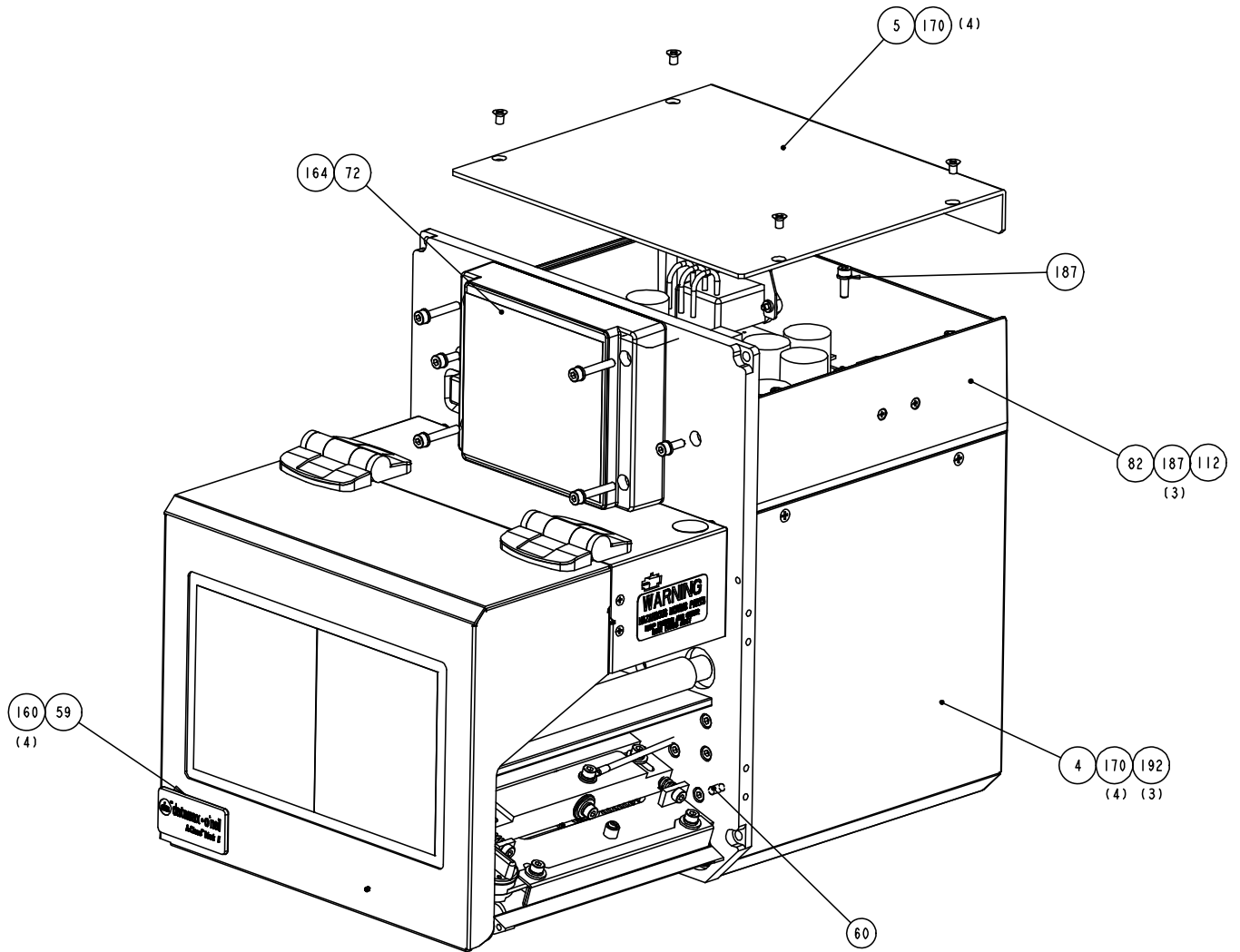
***A-4212 Mark II***

***A-4310 Mark II***

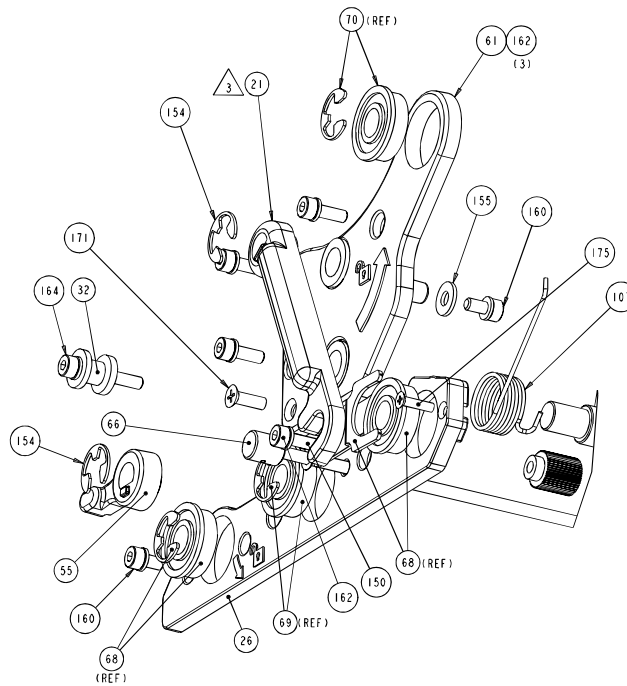
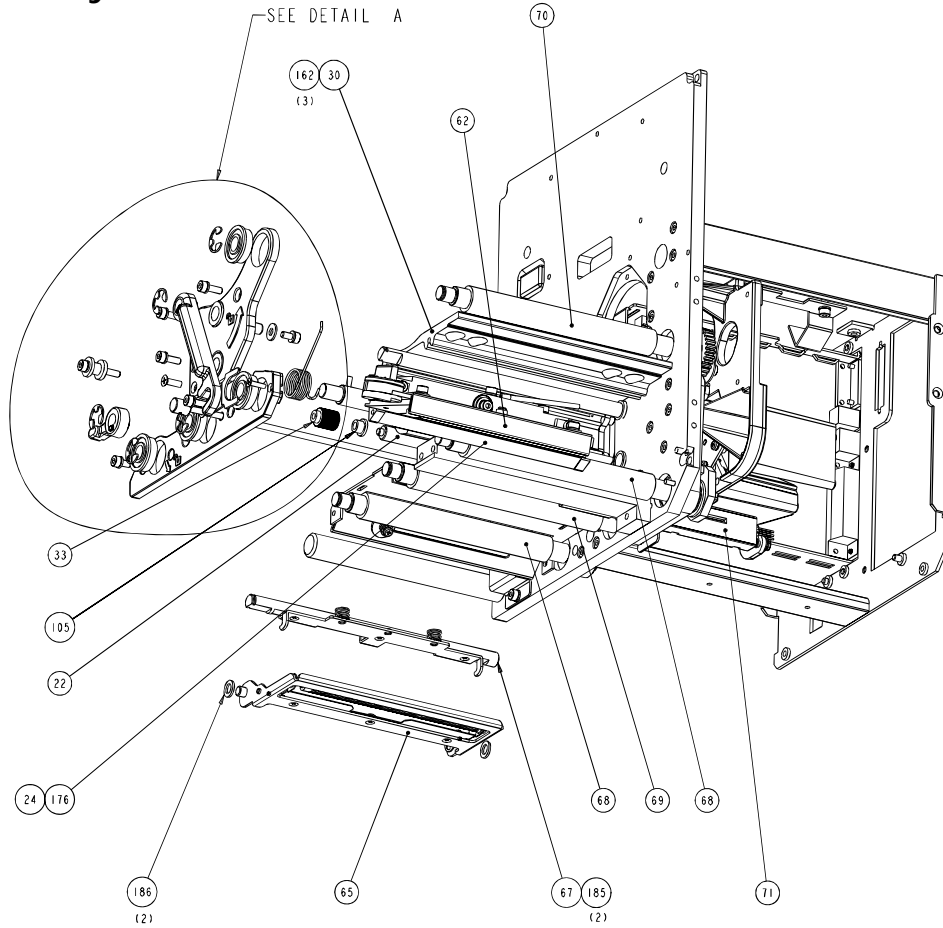
***A-4408 Mark II***

***A-4606 Mark II***

Printer Assembly 1 of 6

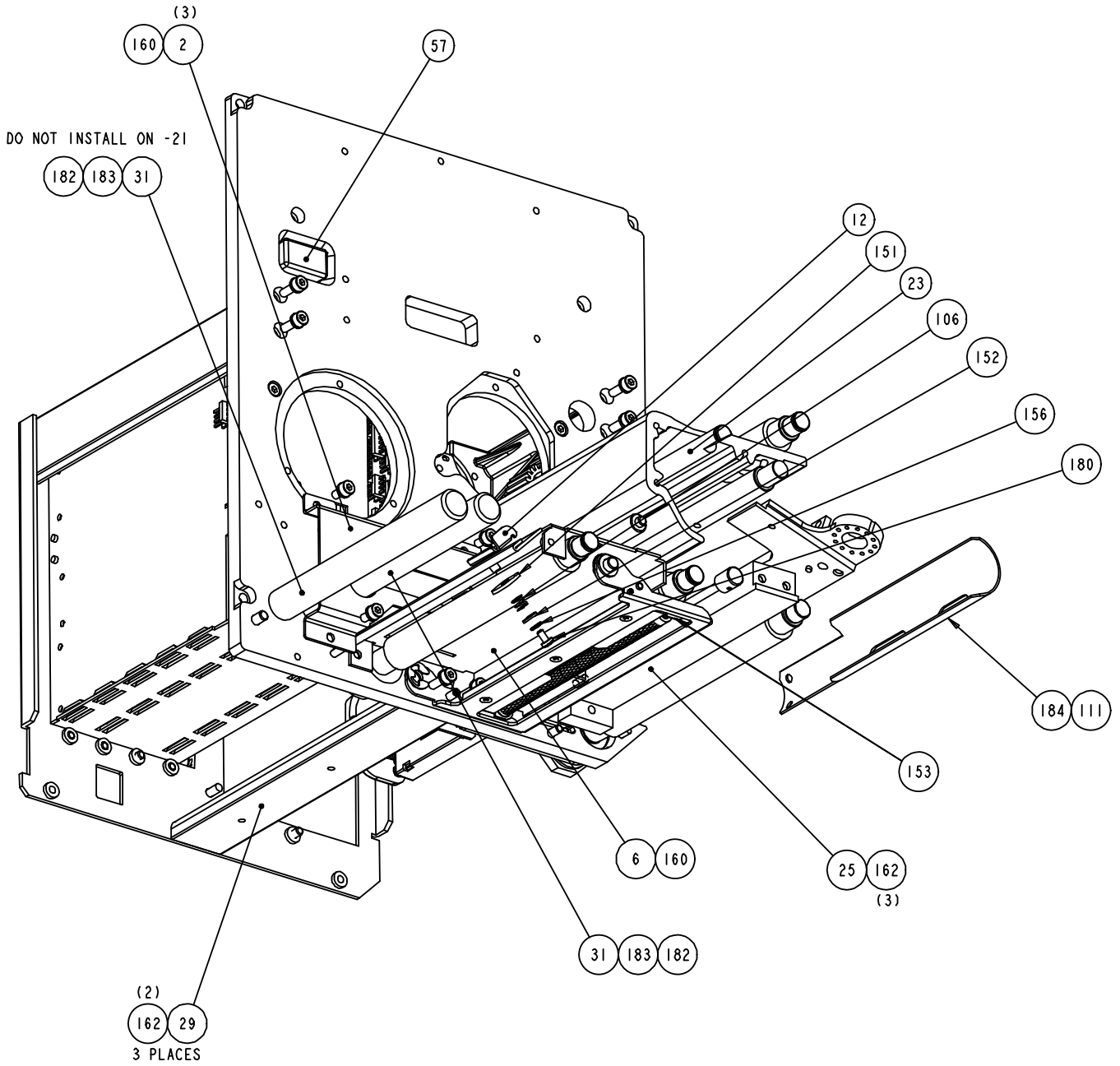


Printer Assembly 2 of 6

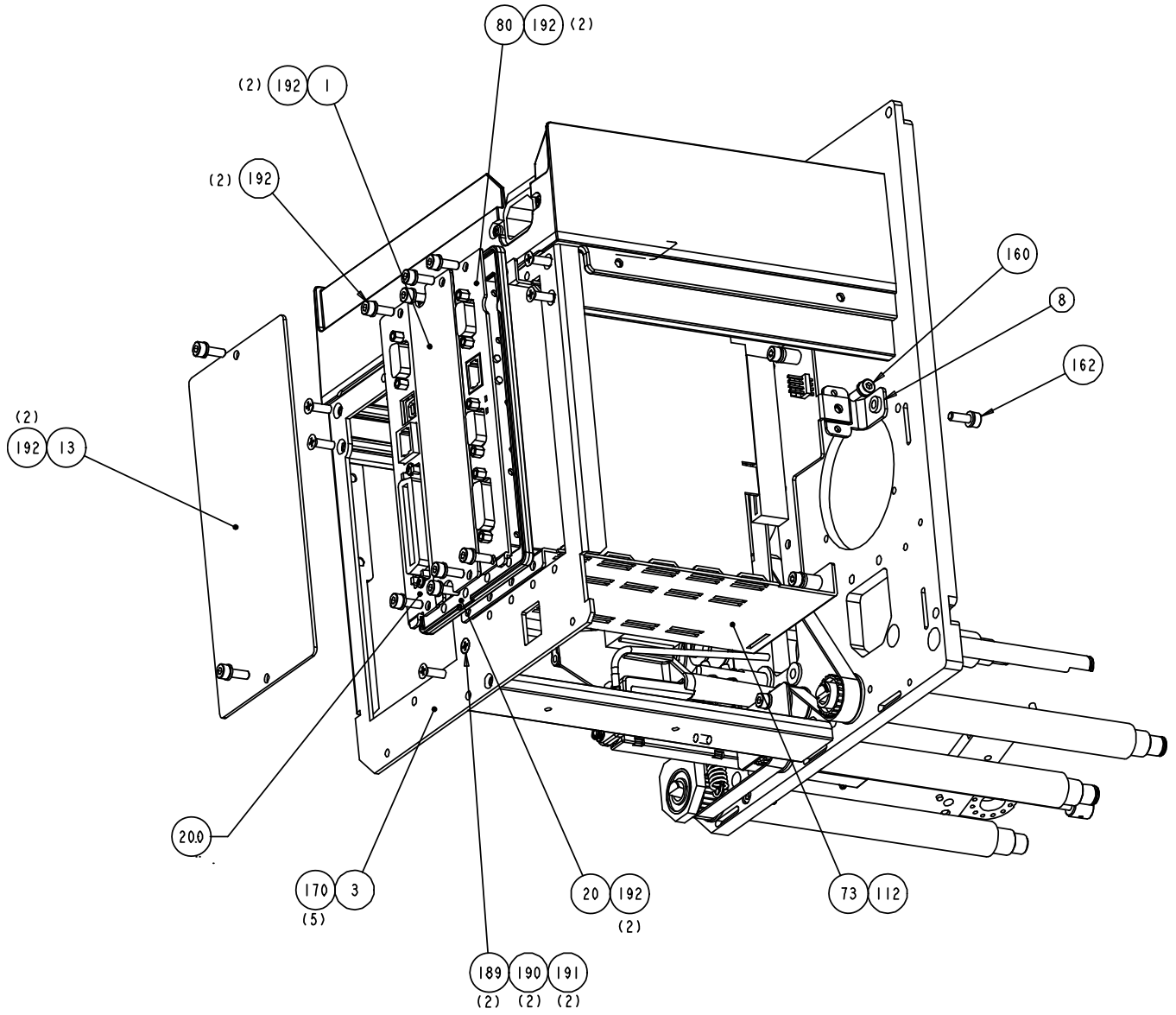


DETAIL A  
SCALE 1.500

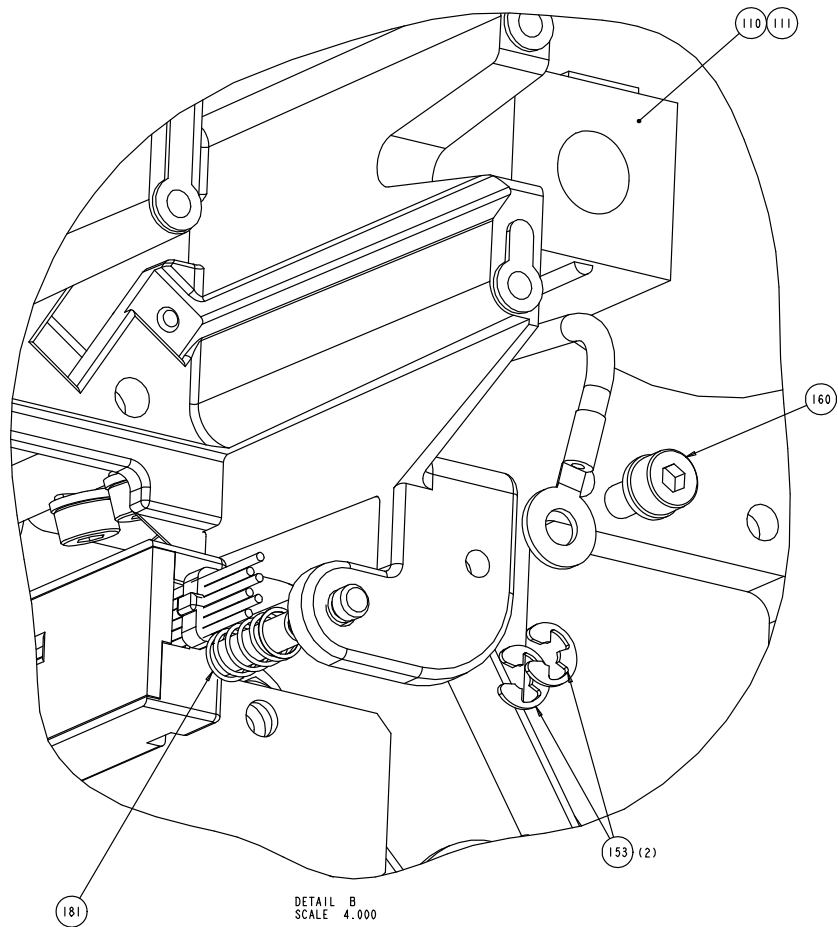
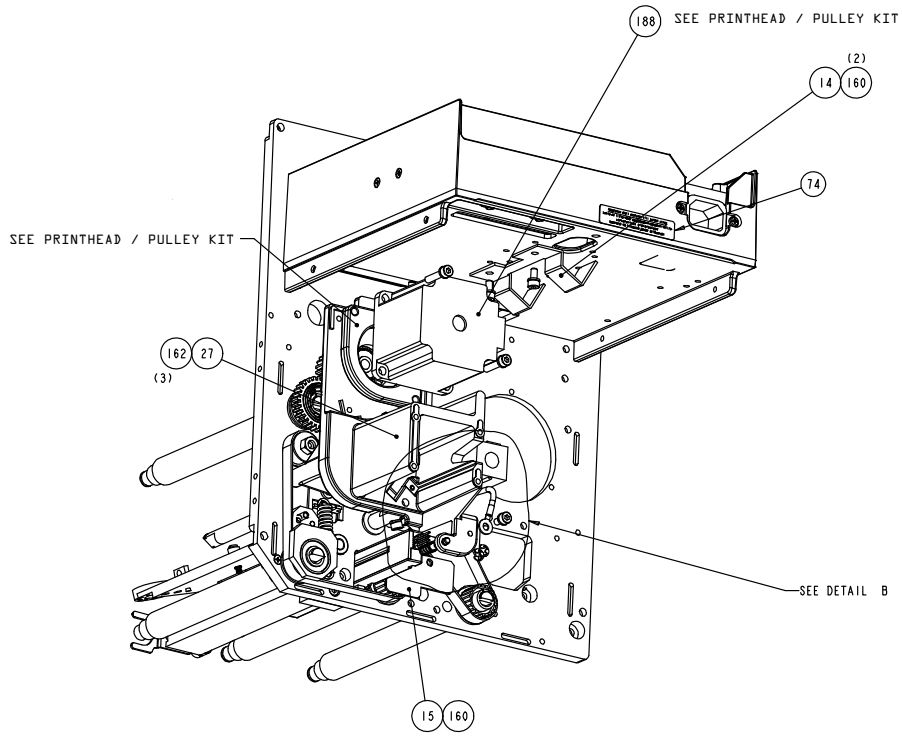
Printer Assembly 3 of 6



Printer Assembly 4 of 6

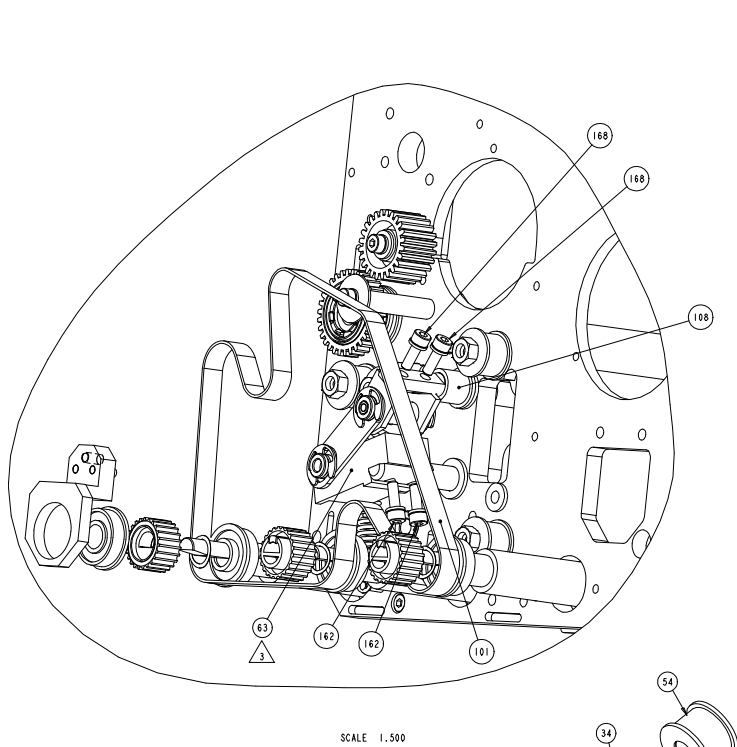


Printer Assembly 5 of 6

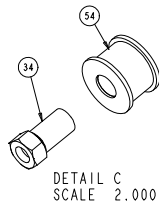




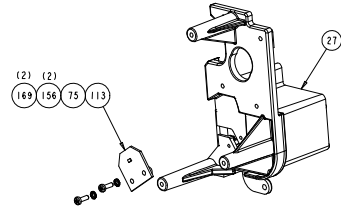
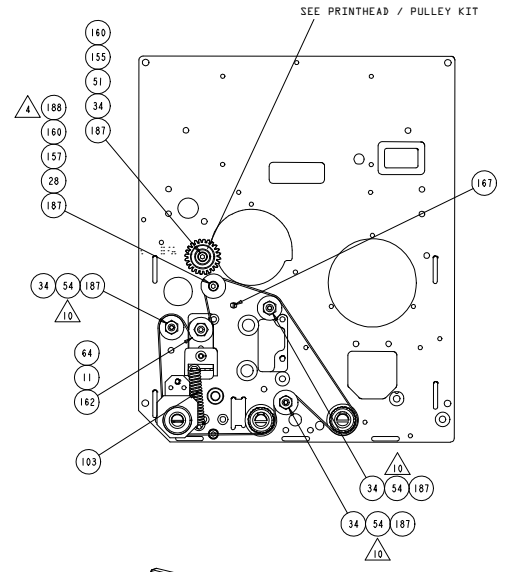
Printer Assembly 6 of 6



SCALE 1.500



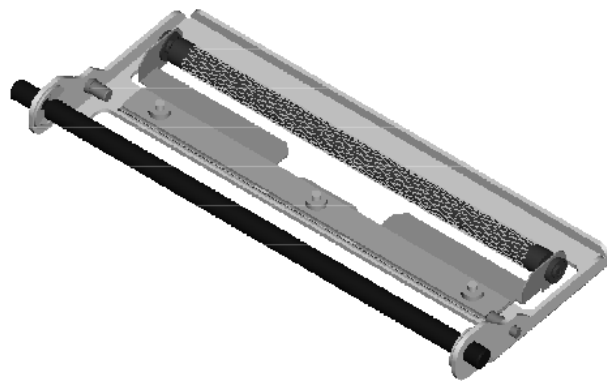
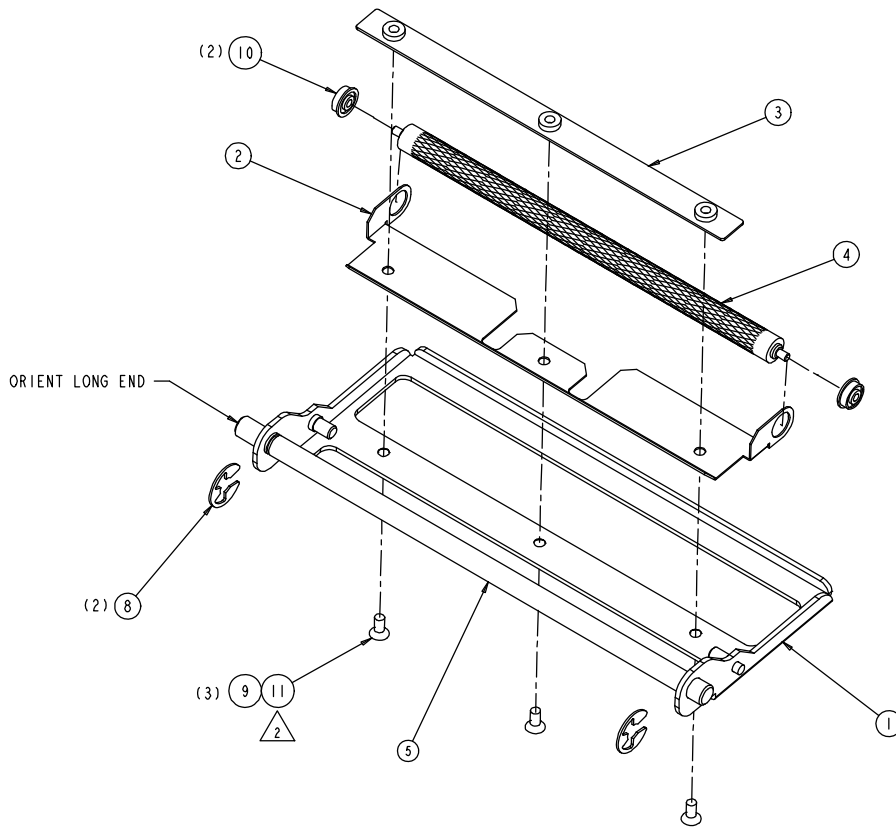
DETAIL C  
SCALE 2.000



Item	Part Number	Description	Notes
1	11-5279-01	PLATE COVER EXPANSION ROHS	
	11-5771-01	PLATE REAR WIRELESS ONLY	See option
2	11-5790-01	G2 GUIDE MEDIA RH W/PINCH ROLLER	
3	11-5780-01	G2 PLATE REAR MEMORY CARD RH	
4	11-5786-01	G2 COVER REAR W/O MEMORY CARD RH	
	11-5779-01	G2 COVER REAR WITH MEMORY CARD RH	
5	11-5531-01	COVER TOP ROHS	
6	11-5791-01	G2 PLATE LOWR 4" RH W/PINCH ROL NTH	
8	11-5577-01	SUPPORT CARD CAGE ROHS	
11	11-5570-01	PLATE NUT ROHS	
12	11-5536-01	GUIDE MEDIA ADJUSTABLE RH ROHS	
13	11-5427-01	PLATE COVER ROHS	
	11-5785-01	G2 PLATE COVER REMOTE DISPLAY	See assembly details
14	11-5602-01	BRACKET RETAINER CABLE ROHS	
15	11-5603-01	COVER CABLE ROHS	
20	12-3342-01	PLATE MOUNTING CARD CAGE ROHS	
21	12-3255-01	HANDLE LATCH RH ROHS	
22	12-3052-02	SHAFT RIBBON IDLER ROHS	
23	12-3217-01	SHAFT LATCH PRINTHEAD 4" ROHS	
24	12-3488-01	BAR PEEL 4" ROHS	
25	12-3244-01	BLOCK SUPPORT PLATEN 4" ROHS	
26	12-3214-01	PLATE SIDE LOWER RH ROHS	
	12-3498-01	G2 PLATE SIDE LWR RH WITH PINCH ROLLER	
27	12-3286-01	BRACKET SUPPORT MOTOR RH ROHS	
28	12-3432-01	POST IDLER ROHS	
29	12-3221-01	BLOCK SUPPORT REAR ROHS	
30	12-3215-01	SUPPORT CENTER ROHS	
31	12-3254-01	POST MEDIA 4" ROHS	
32	12-3221-02	G2 BLOCK SUPPORT REAR W/MEMRY CARD	
33	DPO12-3051-01	(5PK) CAM IDLER RIBBON ROHS	
34	12-3219-01	POST ILDER ROHS	
51	DPO16-2935-01	(2PK) GEAR IDLER ROHS	
54	15-3119-01	PULLEY ASSEMBLY ROHS	
55	16-2924-02	HANDLE LATCH ROHS	
57	DPO16-2950-01	(5PK) COVER SWITCH - PROTECTIVE ROHS	
59	15-3021-01	COVER ASSEMBLY 4" RH ROHS	See assembly details
60	15-3220-01	G2 CENTERPLATE ASSEMBLY RH	
61	15-3015-01	UPPER SIDE PLATE ASSY RH ROHS	
62	15-2977-01	ASSY 4" RH PRINTHEAD ROHS	See assembly details
63	15-3186-01	PH PRESS ASSY 4" RH ROHS	See assembly details
64	15-2970-01	TENSION ASSY ROHS	
65	15-2974-01	LOWER PINCH ROLLER ASSY 4" RH ROHS	See assembly details
67	15-2975-01	RH 4" LATCH ASSEMBLY ROHS	See assembly details
68	15-3215-01	G2 RH REMOVABLE PLATEN ROLLER ASSY 4"	See assembly details
69	15-3019-02	PLATEN ROLLER ASSY 4" PEEL ROHS	See assembly details
70	15-3019-03	PLATEN ROLLER ASSY 4" TAKE-UP ROHS	See assembly details
71	DPO24-2604-01	(2PK) MEDIA SENSOR ASSEMBLY ROHS	
72	24-2691-01	G2 DISPLAY ASSEMBLY ROHS	See assembly details

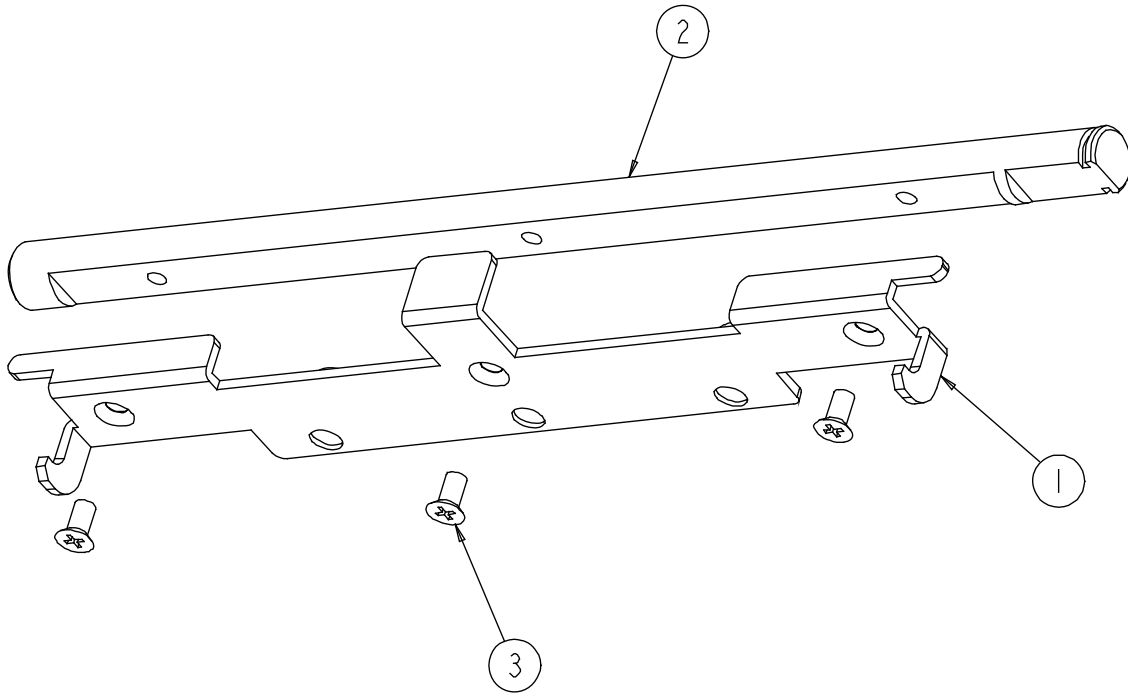
Item	Part Number	Description	Notes
73	24-2685-01	G2 CARD CAGE ASSY NON-REMOTE	See assembly details
	24-2685-02	G2 CARD CAGE ASSY REMOTE READY	See assembly details
74	---	EARTHED SOCKET-OUTLET LABEL COMPACT	
75	51-2434-00	CCA HEAD HOME HALL EFF. ROHS	
80	DPO51-2404-10	(1/PK) CCA,APPLICATOR	
82	24-2617-01	POWER SUPPLY ASSEMBLY ROHS	
101	17-2987-01	BELT TIMING 184 T 3MM HTD ROHS	
103	17-3094-01	SPRING EXTENSION ROHS	
105	DPO17-2816-01	(10PK) BUSHING FLAN .1895X.314X1/4L ROHS	
106	DPO17-3064-01	(5PK) SPRING COMP.24ODX.032WDX.375 ROHS	
107	17-3029-01	SPRING TORSION HEAD LIFT RH ROHS	
108	DPO17-3011-01	(10PK) BUSHING FLANGED ROHS	
109	DPO17-3067-01	(25PK) PLUG 5/8 HOLE ROHS	
110	DPO44-2060-01	(2PK) ASSY FERRITE ROHS	
111	---	TYWRAP 8" ROHS	
112	---	TIE TWIST LOCK ROHS	
113	---	TYWRAP 4" ROHS	
150	DPO899325	(50PK) SPACER ROHS	
151	DPO10-3152-01	(5PK) WASHER FLAT .175 IDX.626 OD X.062T	
152	DPO10-2518-01	(50PK) WASHER FLAT SS ROHS	
153	DPO10-3021-03	(25PK) RING RETAINING 5/32 CRES ROHS	
154	DPO10-3021-07	(25PK) E-RING 3/8 TRUARC CRES ROHS	
155	DPO10-3018-04	(25PK) WASHER FLAT #8 CRES ROHS	
156	DPO10-3093-01	(25PK) WASHER M3 EXT TOOTH LOCK CRES	
157	DPO10-3136-01	(5PK) WASH FLT .172ID X .75OD X .04 ROHS	
160	DPO10-3085-02	(25PK) SCREW SOC HD CAP W/ LW M4 X 8 ROHS	
162	DPO10-3085-04	(25PK) SCREW SOC HD CAP W/ LW M4 X 12 ROHS	
164	DPO10-3085-07	(25PK) SCREW SOC HD CAP W/ LW M4 X 25 ROHS	
167	DPO17-2962-01	(50PK) CLIP ARROW ROHS	
168	DPO10-3085-03	(25PK) SCREW SOC HD CAP W/ LW M4 X 10 ROHS	
169	DPO10-3092-03	(50PK) SCREW PHP M3 X 10MM CRES	
170	DPO10-3066-01	(25PK) SCREW FLAT HEAD SS M4 X 6 ROHS	
171	DPO10-3066-04	(25PK) SCREW FLAT HEAD SS M4 X 12 ROHS	
175	DPO10-3088-04	(25PK) SCREW FLATHEAD CRES M3 X 12 ROHS	
176	DPO10-3088-05	(25PK) SCREW FLATHEAD CRES M3 X 14 ROHS	
180	DPO10-3092-01	(25PK) SCREW PHP M3 X 6MM CRES	
181	DPO17-3046-01	(5PK) SPRING COMPRESSION ROHS	
182	DPO10-3096-03	(50PK) WASHER SPLIT LOCK M5 CRES ROHS	
183	DPO10-3097-01	(20PK) SCREW SOCKET HD SET M5 X 12 CRES ROHS	
184	13-2422-01	RETAINER PRINT HD CABLE ROHS	
185	DPO17-3065-01	(2PK) SPRING COMP .36ODX.035WDX.75 ROHS	
186	DPO10-3105-01	(50PK) WASHER FLAT .44 ODX .26 IDX.047THK	
187	DPO10-3085-14	(25PK) SCREW SHC W/ LK COMP M4 X 12 ROHS	
188	---	GREASE SILCONE ROHS	
189	DPO10-3066-03	(50PK) SCREW FLAT HEAD SS M4 X 10 ROHS	
190	DPO10-3019-04	(50PK) WASHER SPLIT LOCK #8 CRES ROHS	
191	DPO10-3016-02	(50PK) NUT HEX M4 SS ROHS	
192	DPO10-3085-24	(5PK) SCRW SHC W/ VIBRA-TITE M4 X 12 ROHS	
200	DPO78-2802-01	CCA MAIN W/LAN ROHS	

Lower Pinch Roller Assembly (15-2974-01)



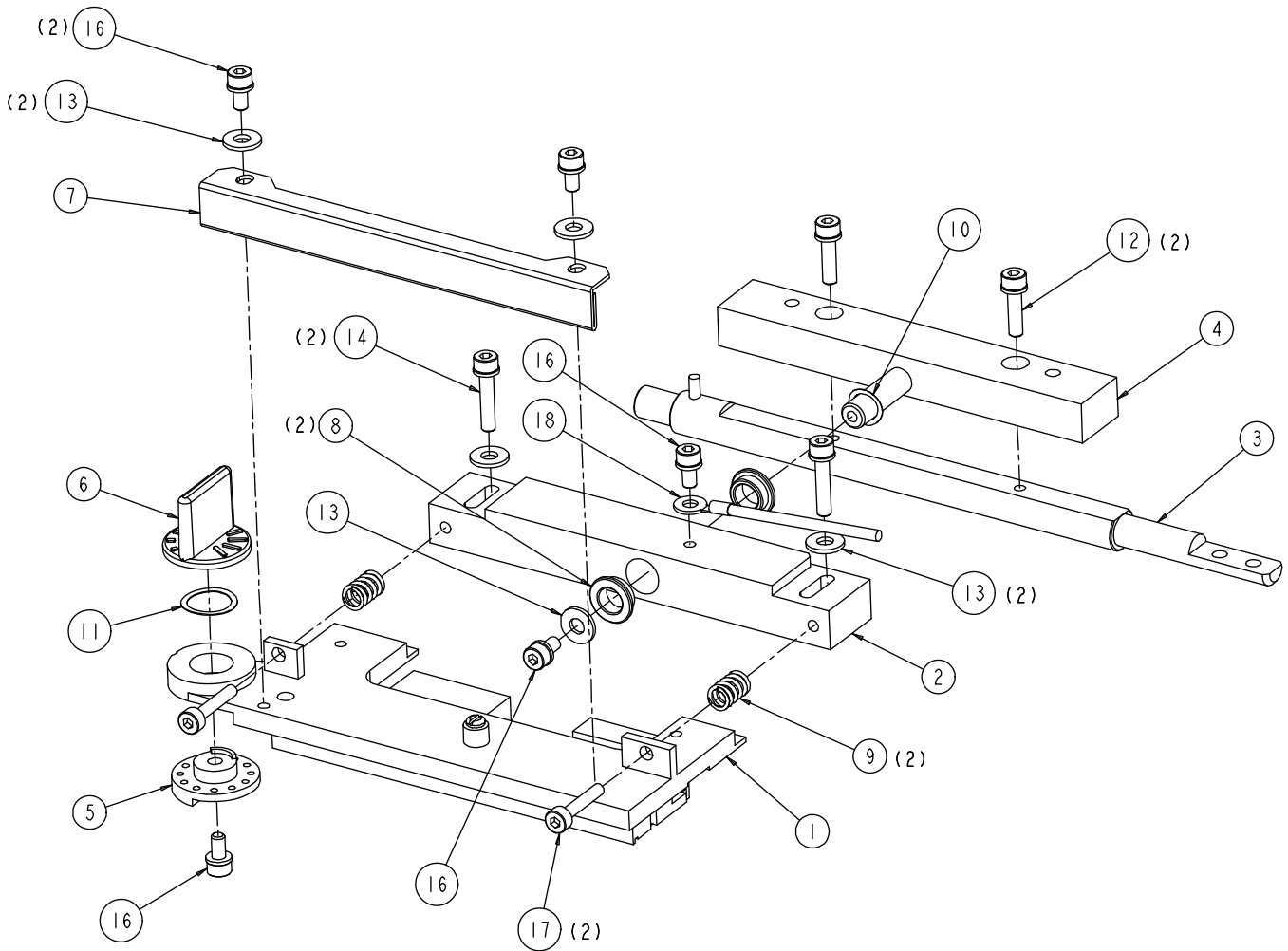
Item	Part Number	Description	Notes
1	15-3183-01	ASSY 4" PINCH ROLLER FRAME ROHS	
2	11-5256-01	SPRING FLAT ROHS	
3	11-5599-01	SCREW PLATE 4" ROHS	
4	12-3295-01	ROLLER PINCH 4" ROHS	
5	12-2574-01	HINGE SHAFT ROHS	
8	DPO10-3021-05	(20PK) E-RING 1/4 TRUARC CRES	
9	DPO10-3088-07	(25PK) SCREW FLATHEAD CRES M3 X 5	
10	17-2856-01	BEARING BALL FL .0937 X .3125 ROHS	
11	---	LOCTITE 242 ROHS	

Latch Assembly (15-2975-01)



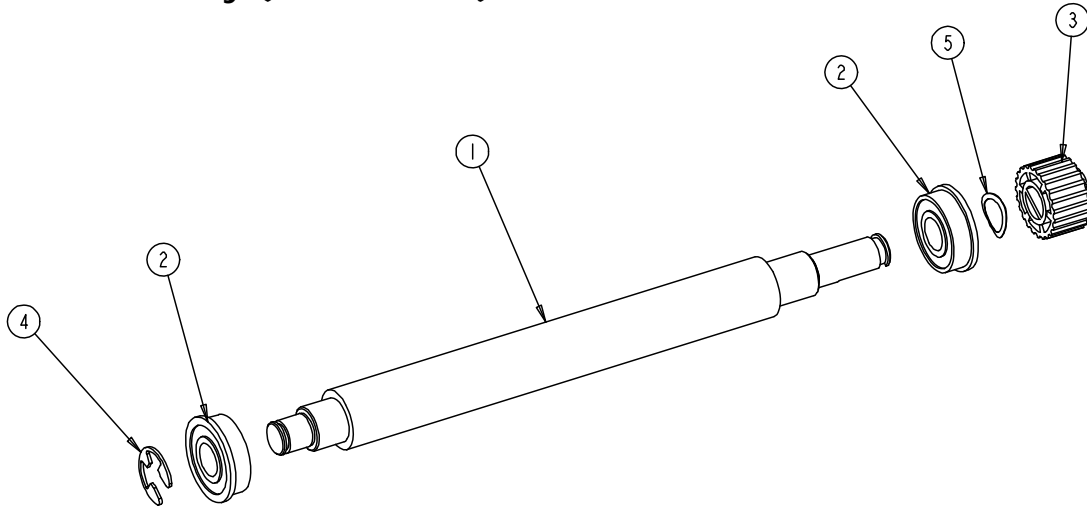
Item	Part Number	Description	Notes
1	11-5578-01	LATCH 4" ROHS	
2	12-3280-01	SHAFT LATCH PIVOT ROHS	
3	DPO10-3088-01	(25PK) SCREW FLATHEAD CRES M3 X 6 ROHS	

**Printhead Assembly (15-2977-01)**



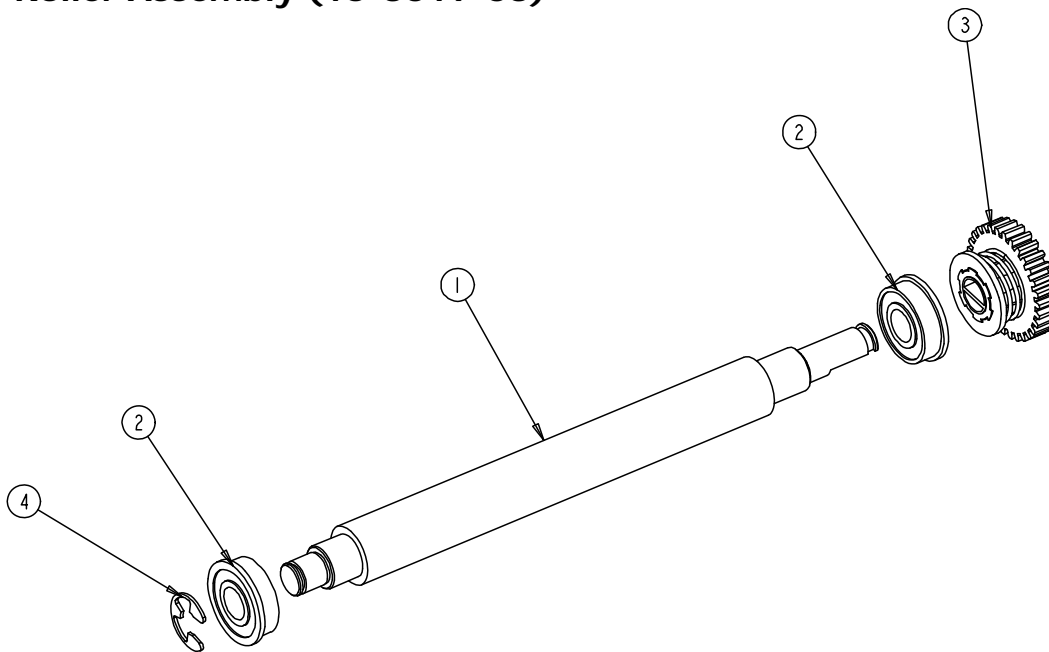
Item	Part Number	Description	Notes
1	15-3102-01	ASSY 4" RH PRINthead MOUNT ROHS	
2	12-3267-03	PIVOT 4" PRINthead ROHS	
3	12-3233-03	SHAFT PRINthead MOUNT ROHS	
4	12-3266-01	PLATE PRINthead ADAPTER ROHS	
5	DPO16-2906-01	(2PK) CAM NARROW MEDIA ROHS	
6	16-2907-01	KNOB NARROW MEDIA ROHS	
7	11-5552-01	SHIELD RIBBON ROHS	
8	DPO899349	(10PK) BEARING - FLANGED .312 ROHS	
9	DPO17-3061-01	(2PK) SPRING COMP.30ODX.045WDX.44LG ROHS	
10	DPO10-3084-01	(10PK) WASHER WAVE .312 ID CRES	
11	DPO10-3084-02	(10PK) WASHER WAVE .505 ID CRES	
12	DPO10-3085-05	(25PK) SCRW SH CAP W/ LW M4 X 16 ROHS	
13	DPO10-3018-04	(25PK) WASHER FLAT #8 CRES	
14	DPO10-3085-06	(25PK) SCREW SOC HD CAP W/ LW M4 X 20	
16	DPO10-3085-02	(25PK) SCREW SOC HD CAP W/ LW M4 X 8	
17	DPO10-3015-43	(10PK) SCREW SHC M4X20 CRES W/LKG COMP	
18	32-2528-01	GROUND STRAP ROHS	

**Peel Roller Assembly (15-3019-02)**



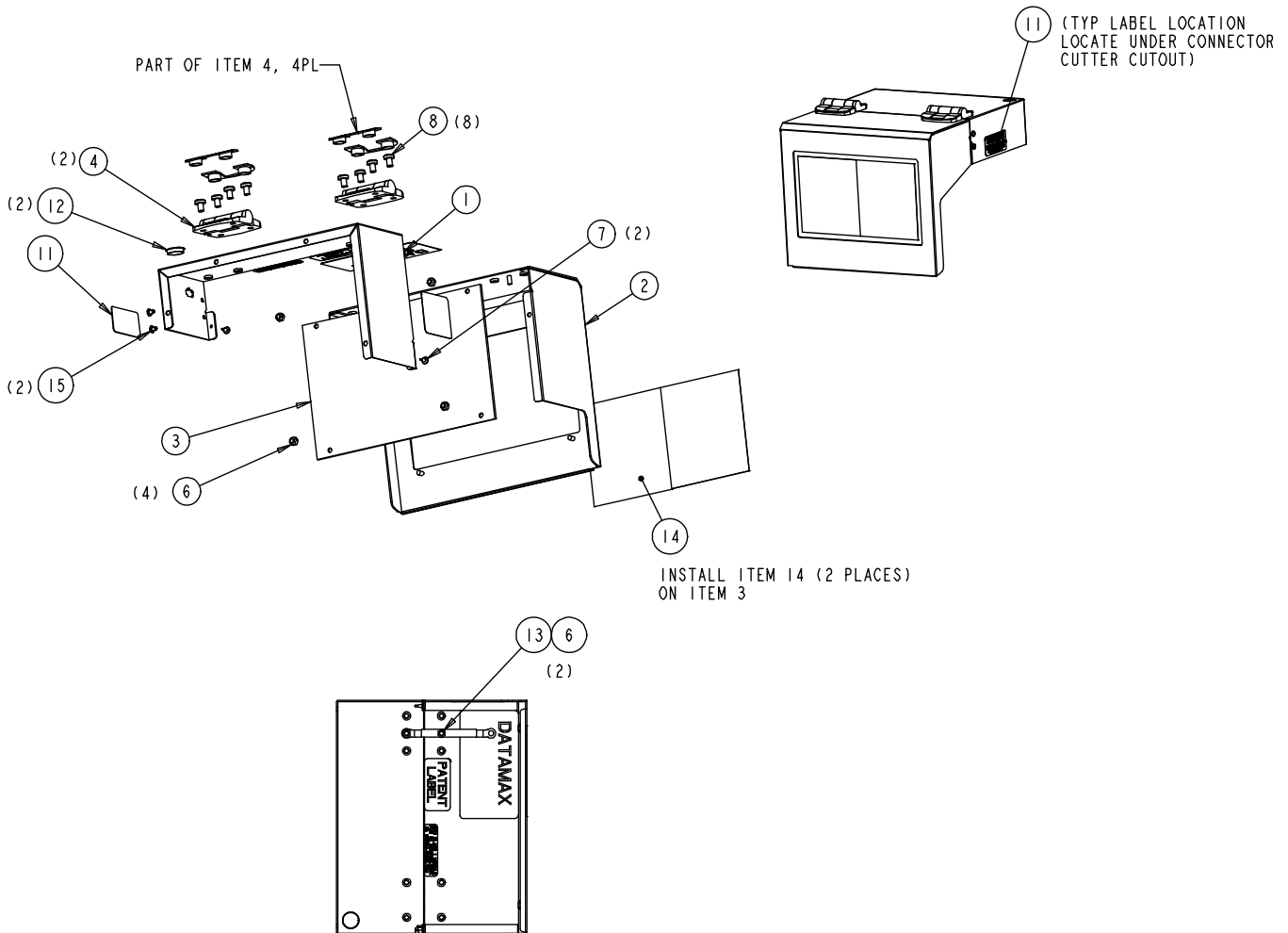
Item	Part Number	Description	Notes
1	13-2405-01	ROLLER PLATEN 4" ROHS	
2	17-3028-01	BEARING FLANGED 440C 3/8X7/8 ROHS	
3	DPO16-2904-01	(2PK) PULLEY TIMING 22 TEETH ROHS	
4	DPO10-3021-07	(25PK) E-RING 3/8 TRUARC CRES	
5	DPO10-3084-03	(5PK) WASHER WAVE .378 ID CRES ROHS	

**Take-up Roller Assembly (15-3019-03)**



Item	Part Number	Description	Notes
1	13-2405-01	ROLLER PLATEN 4" ROHS	
2	17-3028-01	BEARING FLANGED 440C 3/8X7/8 ROHS	
3	15-3020-01	CLUTCH RIBBON TAKE-UP ROHS	
4	DPO10-3021-07	(25PK) E-RING 3/8 TRUARC CRES ROHS	

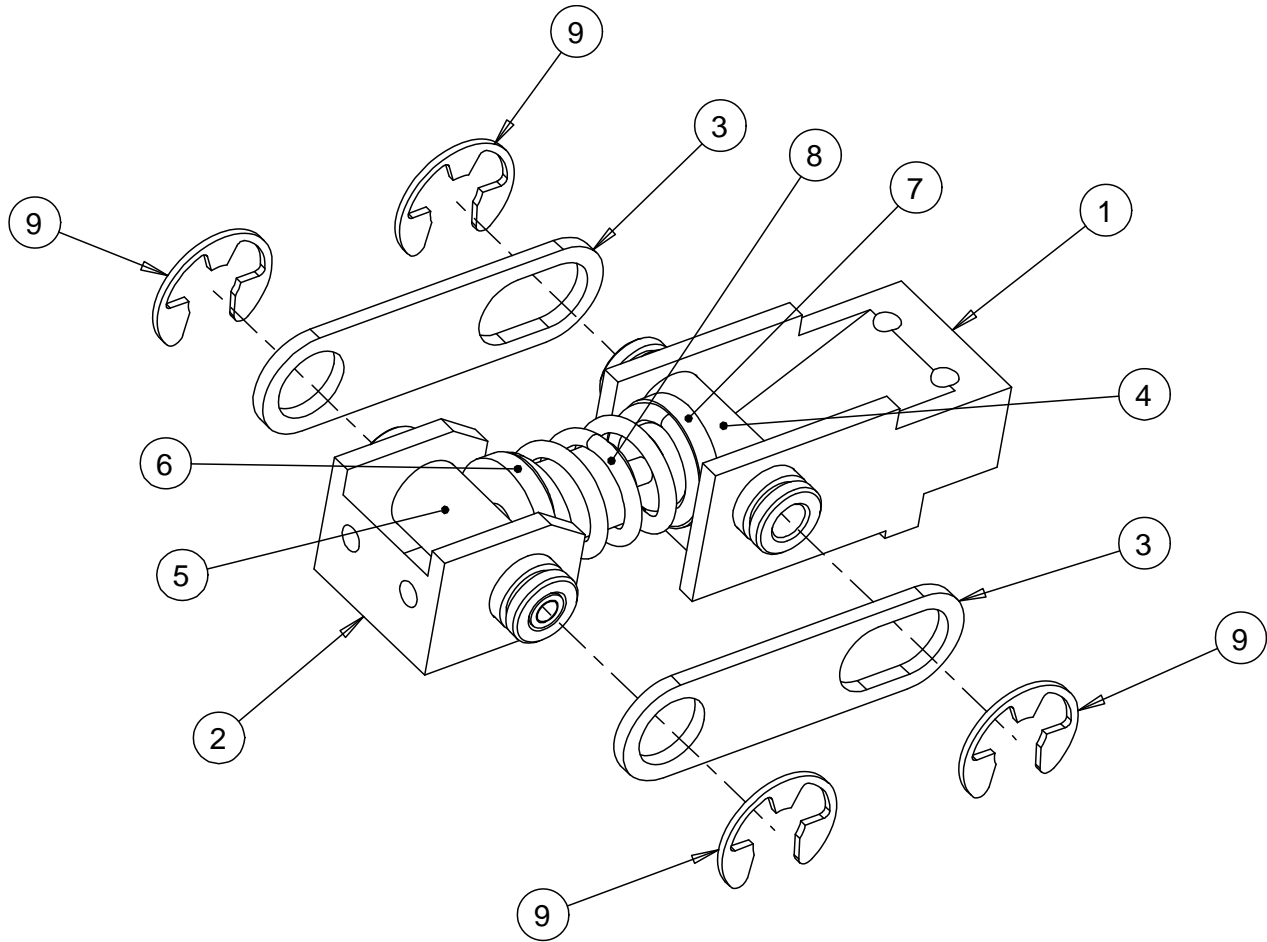
Cover Assembly (15-3021-01)



Item	Part Number	Description	Notes
1	11-5533-01	COVER INNER 4" RH ROHS	
2	11-5534-01	COVER OUTER RH ROHS	
3	16-2887-01	WINDOW ROHS	
4	17-3036-01	HINGE ROHS	
6	DPO10-3091-01	(50PK) NUT HEX SELF-LOCKING M4 CRES ROHS	
7	DPO13-2392-01	(10PK) BUMPER PULL THRU ROHS	
8	DPO10-3090-01	(50PK) SCREW PANHEAD M5 X 8 CRES ROHS	
11	14-2835-01	LABEL WARNING ROHS	
12	DPO17-3067-01	(25PK) PLUG 5/8 HOLE ROHS	
13	32-2553-01	GROUND CABLE A-CLASS COVER ROHS	
14	---	TAPE PROTECTIVE ROHS	
15	DPO17-3174-01	(10PK) RIVET NYLON SNAP .135" DIA	
---	78-2831-01	SENSOR OPEN COVER A-CLASS MKII	Not shown

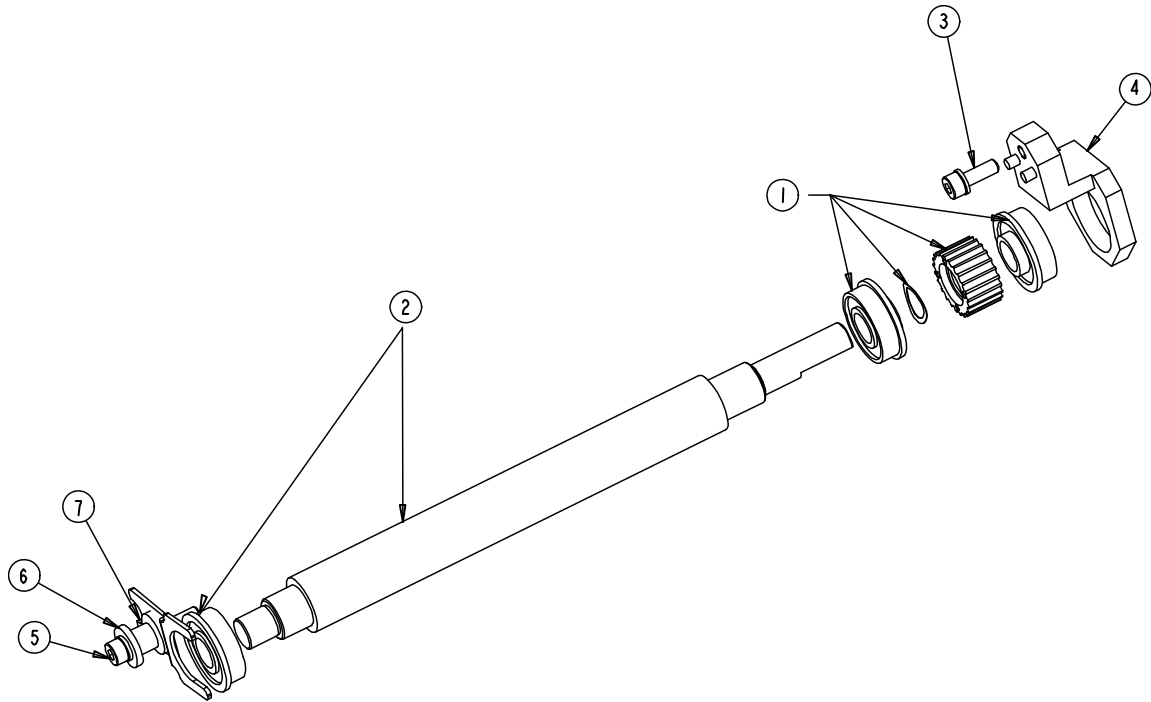


Printhead Pressure Assembly (15-3186-01)



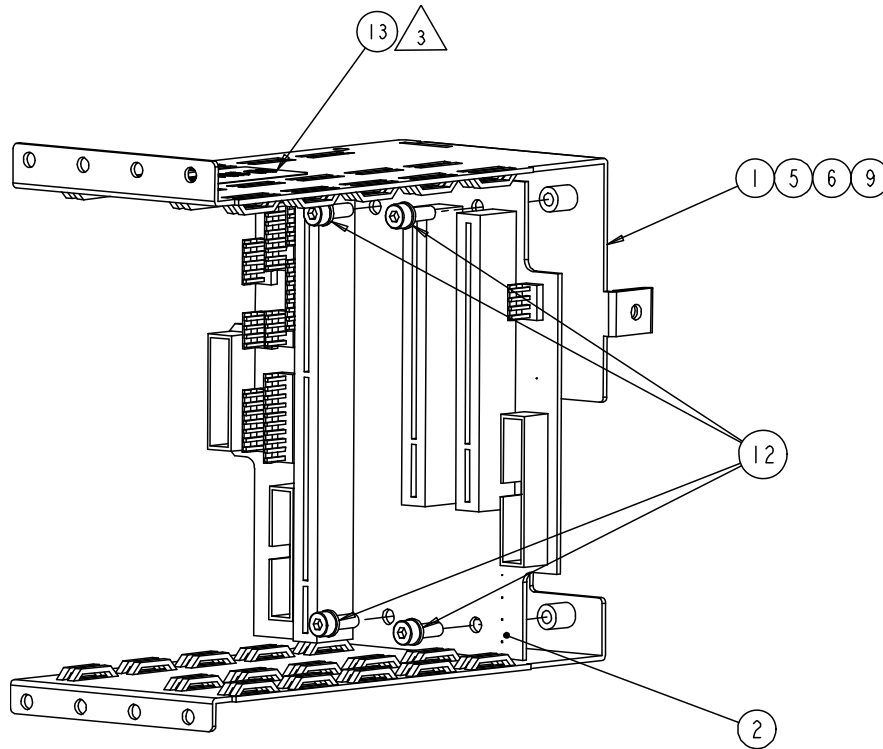
Item	Part Number	Description	Notes
1	12-3229-01	BRACKET PRESSURE LOWER ROHS	
2	12-3485-01	BRACKET PRESSURE UPPER	
3	11-5537-01	RETAINER PRINTHEAD PRESSURE ROHS	
4	12-3486-01	SHAFT PRINTHEAD PRESSURE	
5	15-3187-01	ASSY PIVOT PIN	
6	12-3353-01	SLIDE UPPER ROHS	
7	12-3354-01	SLIDE LOWER ROHS	
8	17-3160-01	SPRING COMPRESSION	
9	DPO10-3021-07	(25PK) E-RING 3/8 TRUARC CRES ROHS	

Platen Roller Removable (15-3215-01)



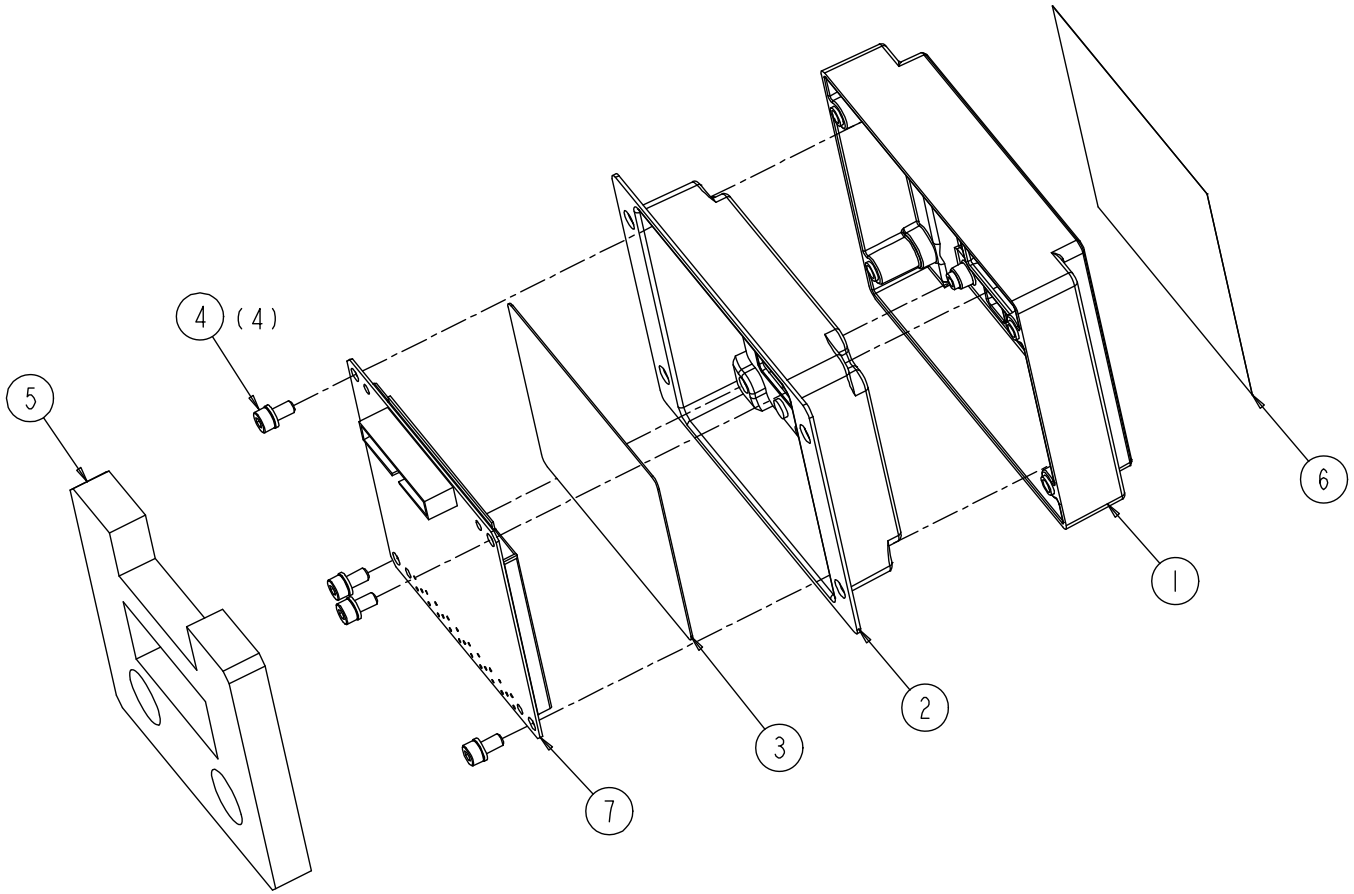
Item	Part Number	Description	Notes
1	15-3218-01	G2 PLATEN PULLEY ASSY	
2	15-3219-01	G2 REMOVABLE PLATEN ROLLER & OUTER BEARING 4"	
3	DPO10-3085-14	(25PK) SCRW SHC W/ LK COMP M4 X 12	
4	12-3491-01	G2 BLOCK BEARING MTG	
5	DPO10-3085-07	(25PK) SCRW SH CAP W/ LW M4 X 25 ROHS	
6	12-3501-01	G2 POST LATCH	
7	11-5783-01	G2 BRACKET BEARING RETAINER	

Card Cage Assembly (24-2685-XX)



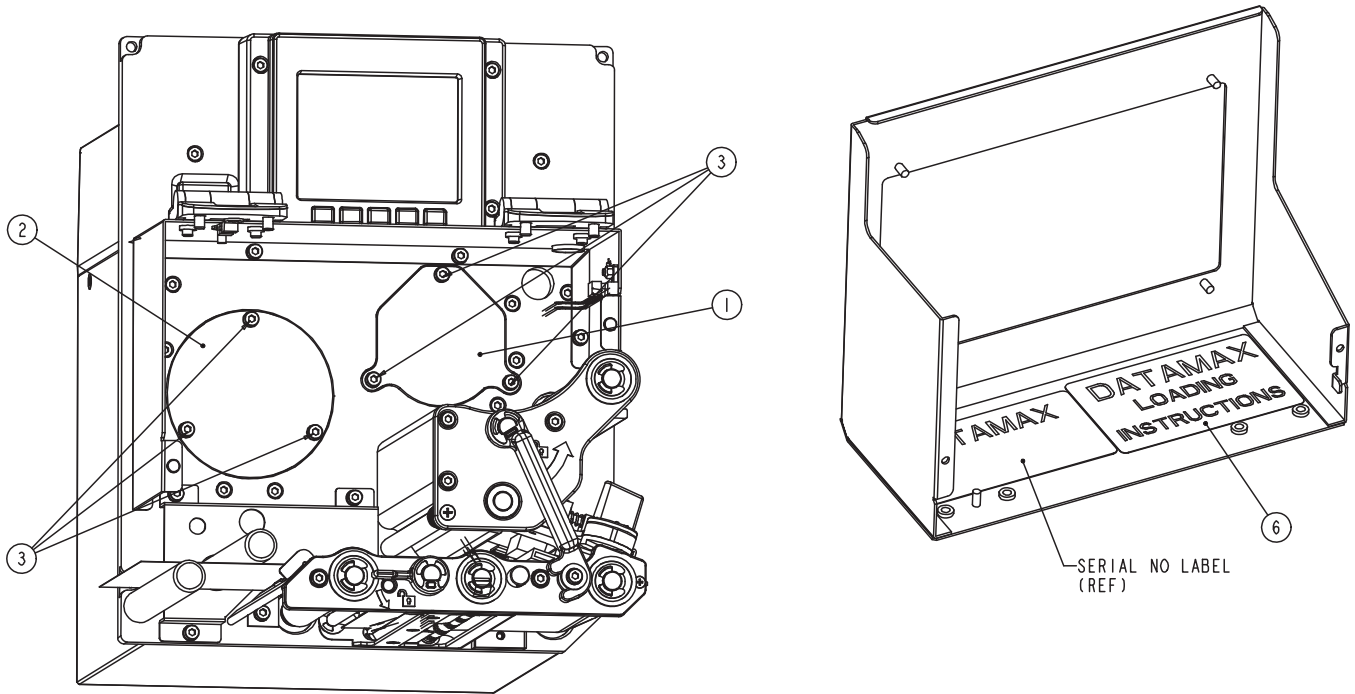
Item	Part Number	Description	Notes
1	11-5682-02	CARD CAGE ROHS	
2	---	A-CLASS G2 BACKPLANE REMOTE READY	Available as part of whole assembly 24-2685-02
	---	A-CLASS G2 BACKPLANE NON REM. RDY.	Available as part of whole assembly 24-2685-01
5	32-2530-01	CABLE ASSY BACK PLANE PWR ROHS	Not shown
6	32-2531-01	CABLE ASSY MOTOR CONTROL ROHS	Not shown
9	32-2540-01	CABLE ASSY. GRAPHICS DISPLAY ROHS	Not shown
	32-2646-01	CABLE ASSY GRAPHICS & REMOTE DISPLAY ROHS	Not shown
12	DPO10-3085-04	(25PK) SCREW SOC HD CAP W/ LW M4 X 12 ROHS	
13	---	LABEL CARD CAGE UL ROHS	
---	DPO10-2626-01	REMOTE READY DISPLAY ONLY – (50PK) SCRW JACK .19 X .19L 4-40THD ROHS	Quantity 2, not shown
---	DPO140028	REMOTE READY DISPLAY ONLY – (50PK) NUT HEX 4-40 W/ TOOTH KEPS ROHS	Quantity 2, not shown

Display Assembly (24-2691-01)



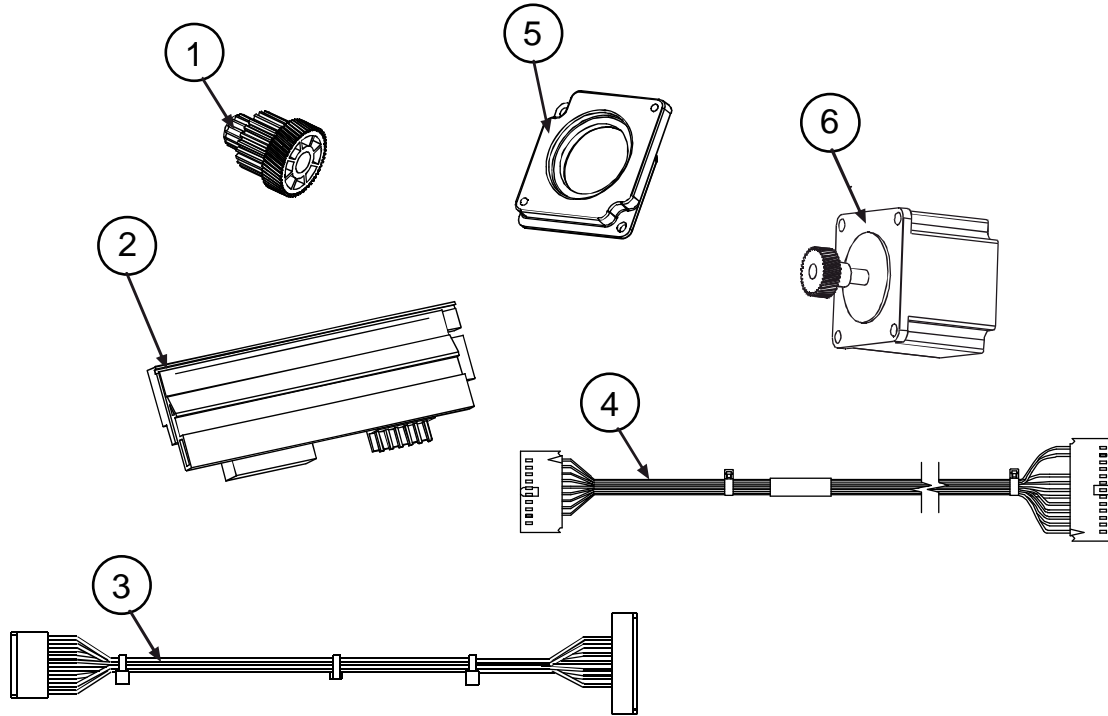
Item	Part Number	Description	Notes
1	12-3270-01	BEZEL DISPLAY ROHS	
2	16-2916-01	KEYPAD 5 BUTTON ROHS	
3	16-2961-01	COVER LCD ROHS	
4	DPO10-3085-02	(25PK) SCRW SH CAP W/ LW M4 X 8 ROHS	
5	DPO13-2425-01	(5PK) FILLER CONTROL PANEL BOOT ROHS	
6	---	TAPE PROTECTIVE ROHS	
7	45-2028-01	A-CLASS G2 DISPLAY 320X240 ALIKEH	

Direct Thermal (78-2474-01)



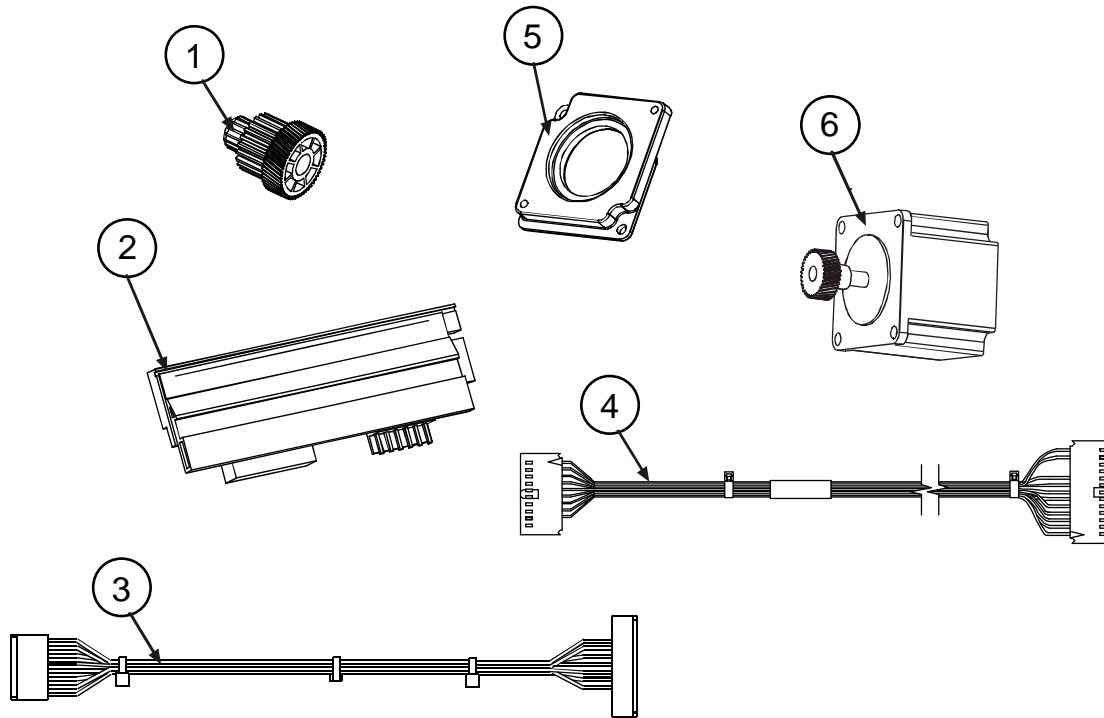
Item	Part Number	Description	Notes
1	11-5584-01	COVER RIBBON TAKE-UP ROHS	
2	11-5585-01	COVER RIBBON SUPPLY ROHS	
3	DPO10-3085-02	(25PK) SCREW SOC HD CAP W/ LW M4 X 8 ROHS	
6	14-2872-03	LABEL LINERLESS LOADING DT ROHS	

Printhead / Pulley Kit, 203 DPI



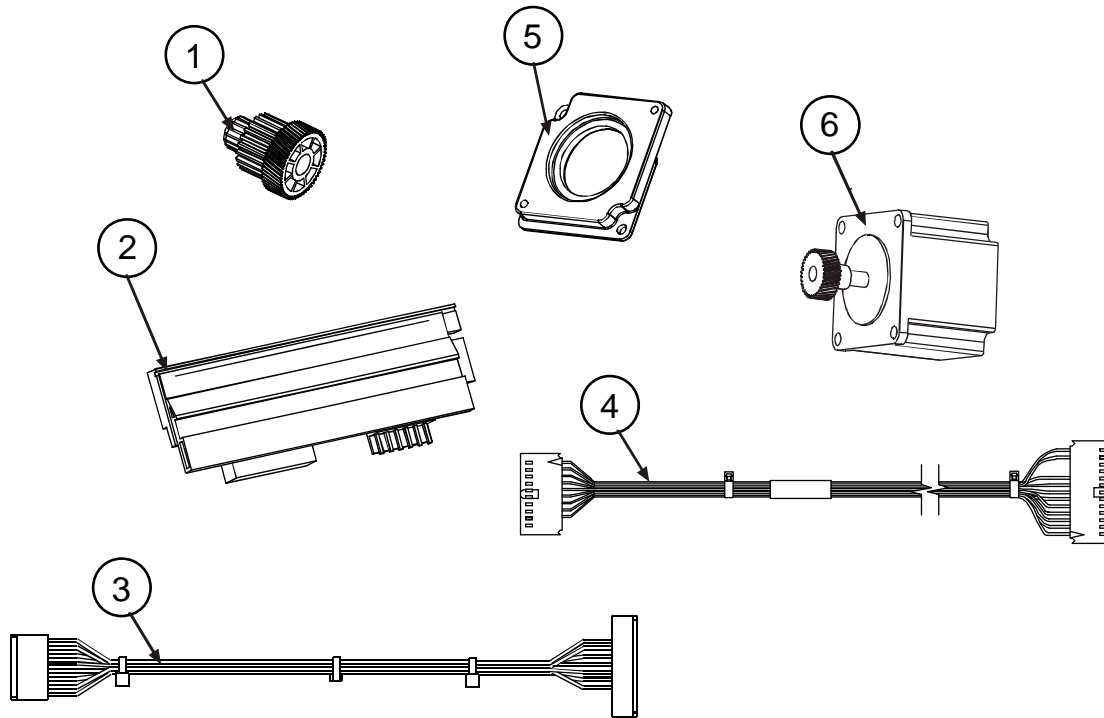
Item	Part Number	Description	Notes
1	15-3117-01	PULLEY COMPOUND 203DPI, ROHS	
2	PHD20-2240-01	PRINthead 203DPI, 4" SMART, ROHS	
3	32-2532-01	CABLE ASSY 4" PRINthead PWR, ROHS	
4	32-2590-02	ASSY, CBL PRINthead DATA 4", ROHS	
5	12-3384-01	SPACER MOTOR MOUNTING RH, ROHS	
6	24-2543-03	STEPPER MOTOR ASSEMBLY, ROHS	
---	DPO10-3085-04	(25PK) SCRW, SH CAP W/LW, M4 X 12, ROHS	Quantity 4, not shown

Printhead / Pulley Kit, 300 DPI



Item	Part Number	Description	Notes
1	15-3118-01	GEAR COMPOUND 300DPI, ROHS	
2	PHD20-2241-01	PRINthead 300DPI, 4" SMART, ROHS	
3	32-2532-01	CABLE ASSY 4" PRINthead PWR, ROHS	
4	32-2590-02	ASSY, CBL PRINthead DATA 4", ROHS	
5	12-3370-01	SPACER MOTOR MOUNTING, ROHS	
6	24-2543-02	STEPPER MOTOR ASSEMBLY, ROHS	
---	DPO10-3085-06	(25PK) SCRw, SH CAP W/LW, M4 X 20, ROHS	Quantity 2, not shown

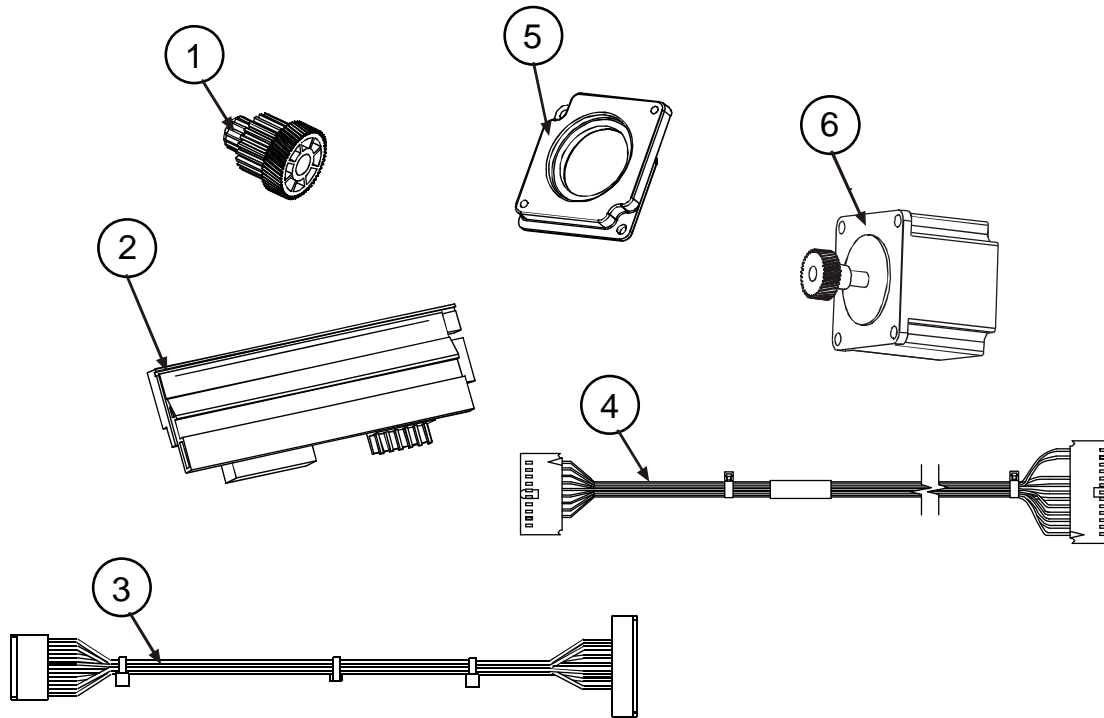
Printhead / Pulley Kit, 406 DPI



Item	Part Number	Description	Notes
1	15-3117-01	PULLEY COMPOUND 203DPI	
2	PHD20-2242-01	PRINthead 400DPI, 4" SMART, ROHS	
3	32-2532-01	CABLE ASSY 4" PRINthead PWR, ROHS	
4	32-2590-02	ASSY, CBL PRINthead DATA 4", ROHS	
5	12-3384-01	SPACER MOTOR MOUNTING, ROHS	
6	24-2543-03	STEPPER MOTOR ASSEMBLY, ROHS	
---	DPO10-3085-04	(25PK) SCRW, SH CAP W/LW, M4 X 12, ROHS	Quantity 4, not shown



Printhead / Pulley Kit, 600 DPI



Item	Part Number	Description	Notes
1	15-3118-01	GEAR COMPOUND 300DPI, ROHS	
2	PHD20-2243-01	PRINTHEAD 600DPI, 4" SMART, ROHS	
3	32-2532-01	CABLE ASSY 4" PRINTHEAD PWR, ROHS	
4	32-2590-02	ASSY, CBL PRINTHEAD DATA 4", ROHS	
5	12-3370-01	SPACER MOTOR MOUNTING, ROHS	
6	24-2543-02	STEPPER MOTOR ASSEMBLY, ROHS	
---	DPO10-3085-06	(25PK) SCRW, SH CAP W/LW, M4 X 20, ROHS	Quantity 2, not shown

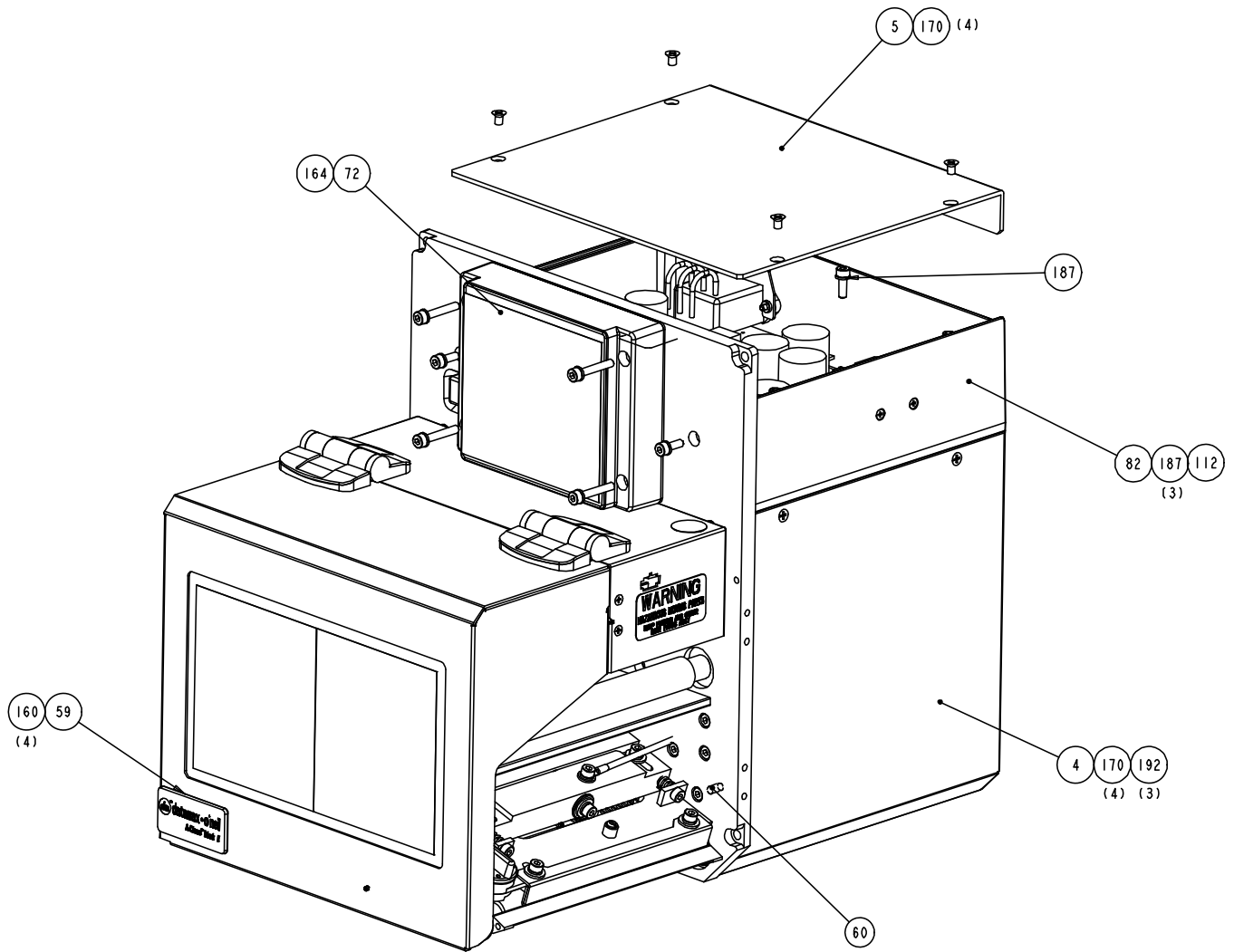


## **Six-Inch Right Hand Printer Assemblies:**

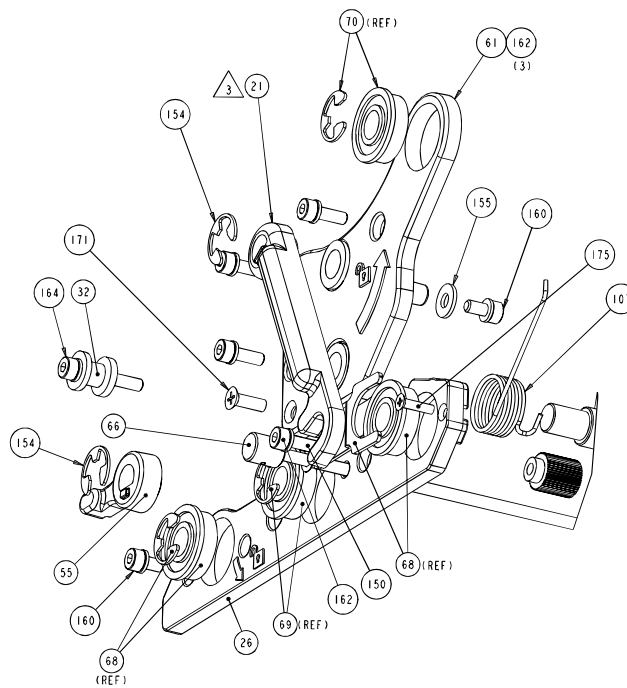
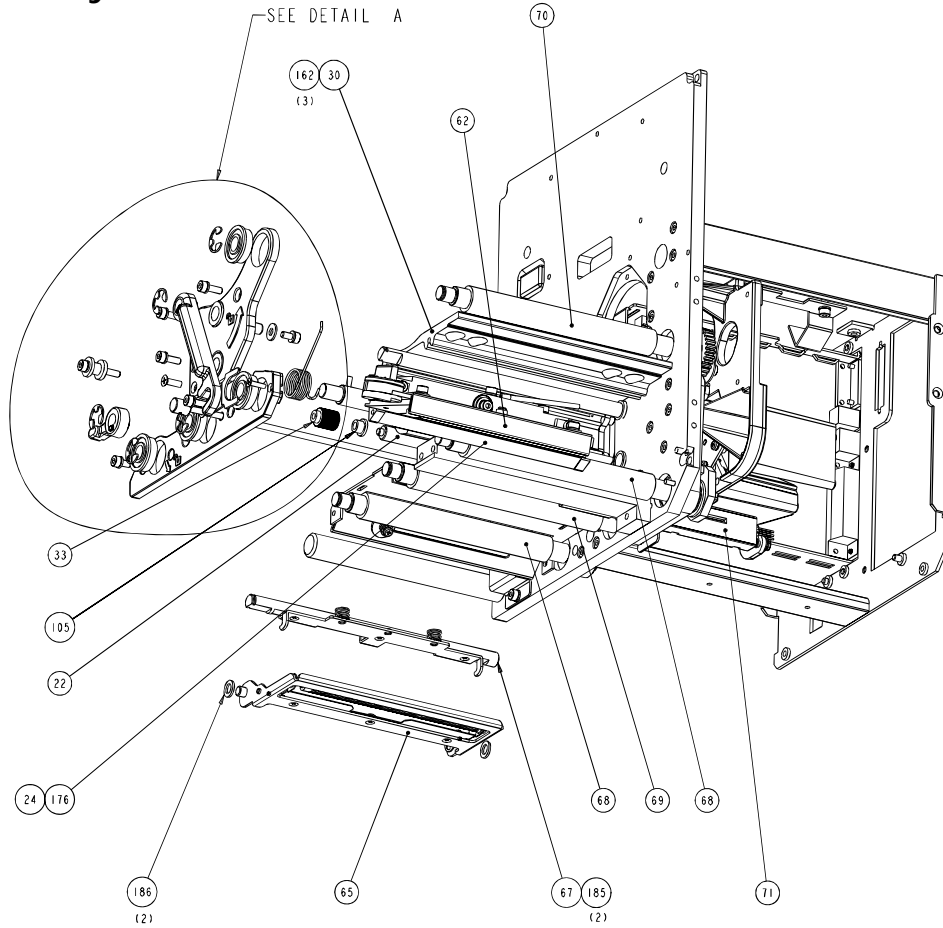
***A-6212 Mark II***

***A-6310 Mark II***

Printer Assembly 1 of 6

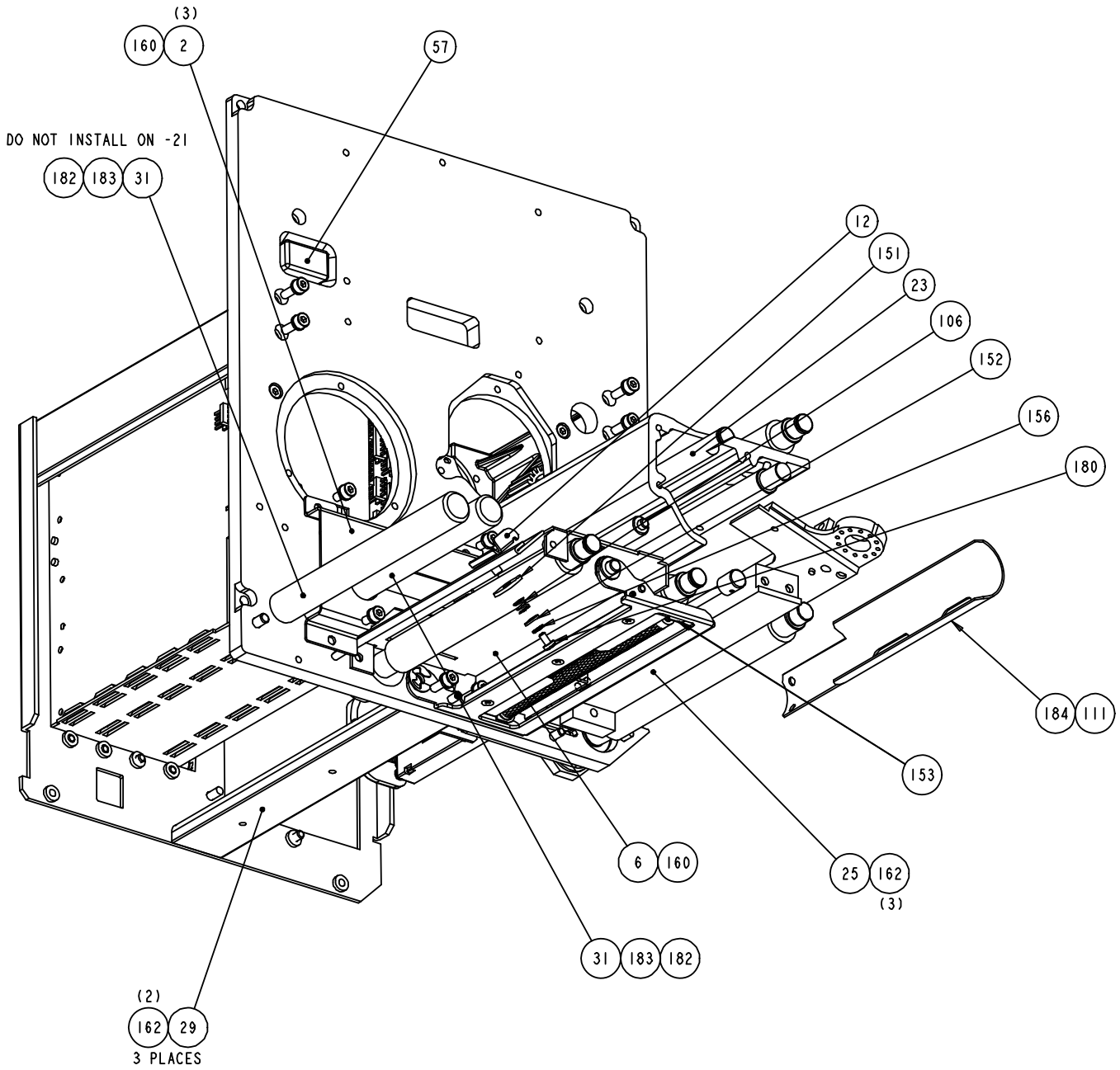


Printer Assembly 2 of 6

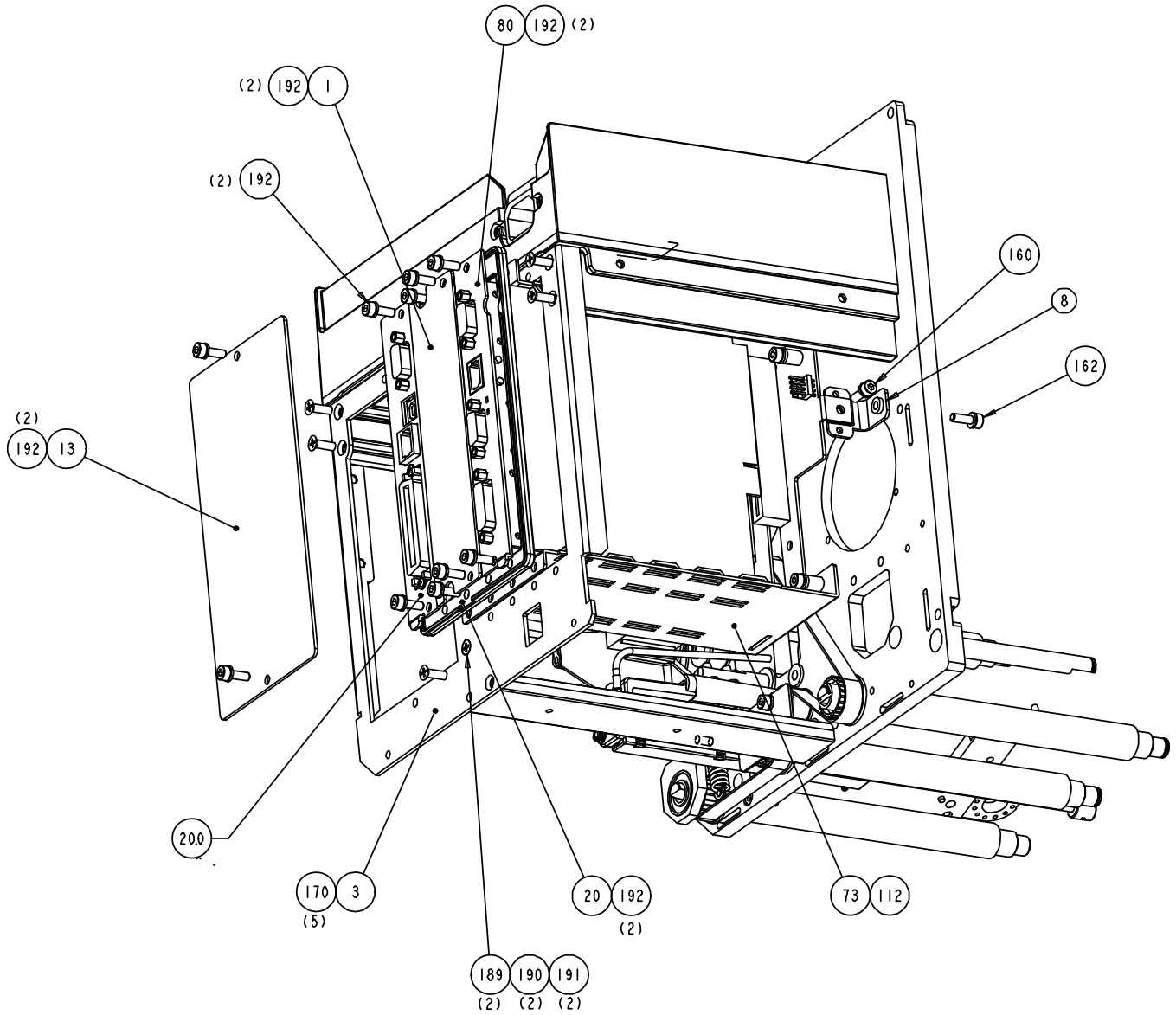


DETAIL A  
SCALE 1.500

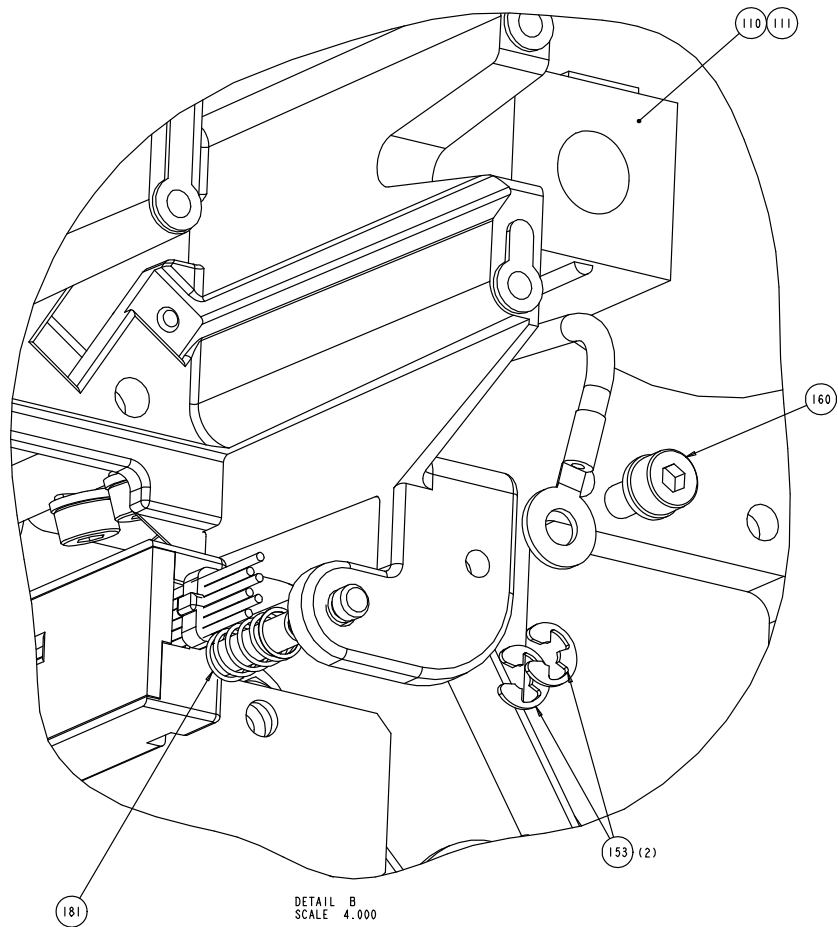
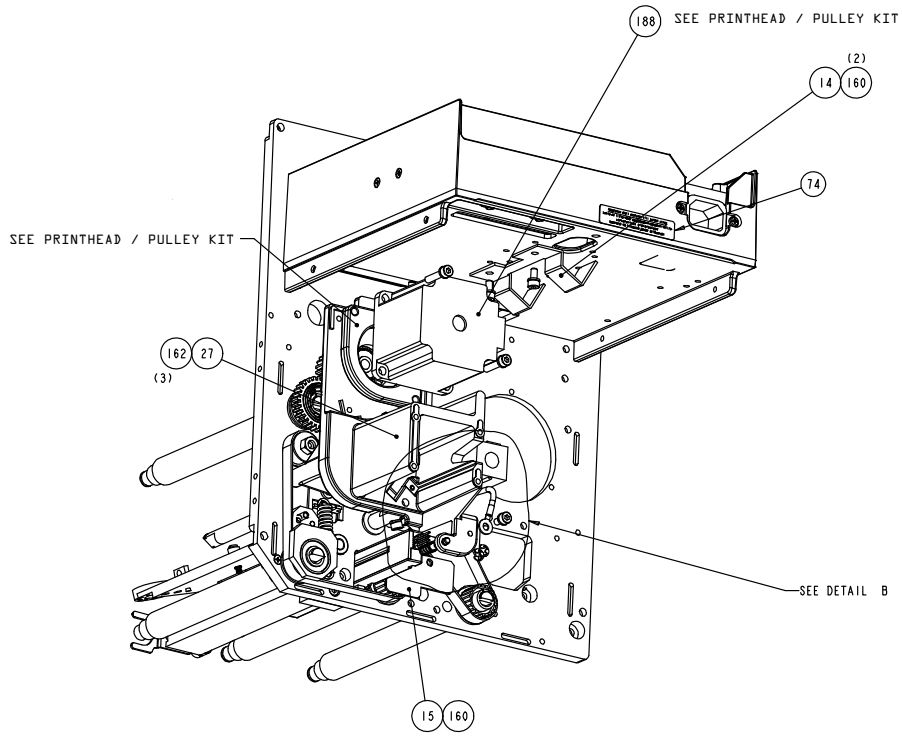
Printer Assembly 3 of 6



Printer Assembly 4 of 6

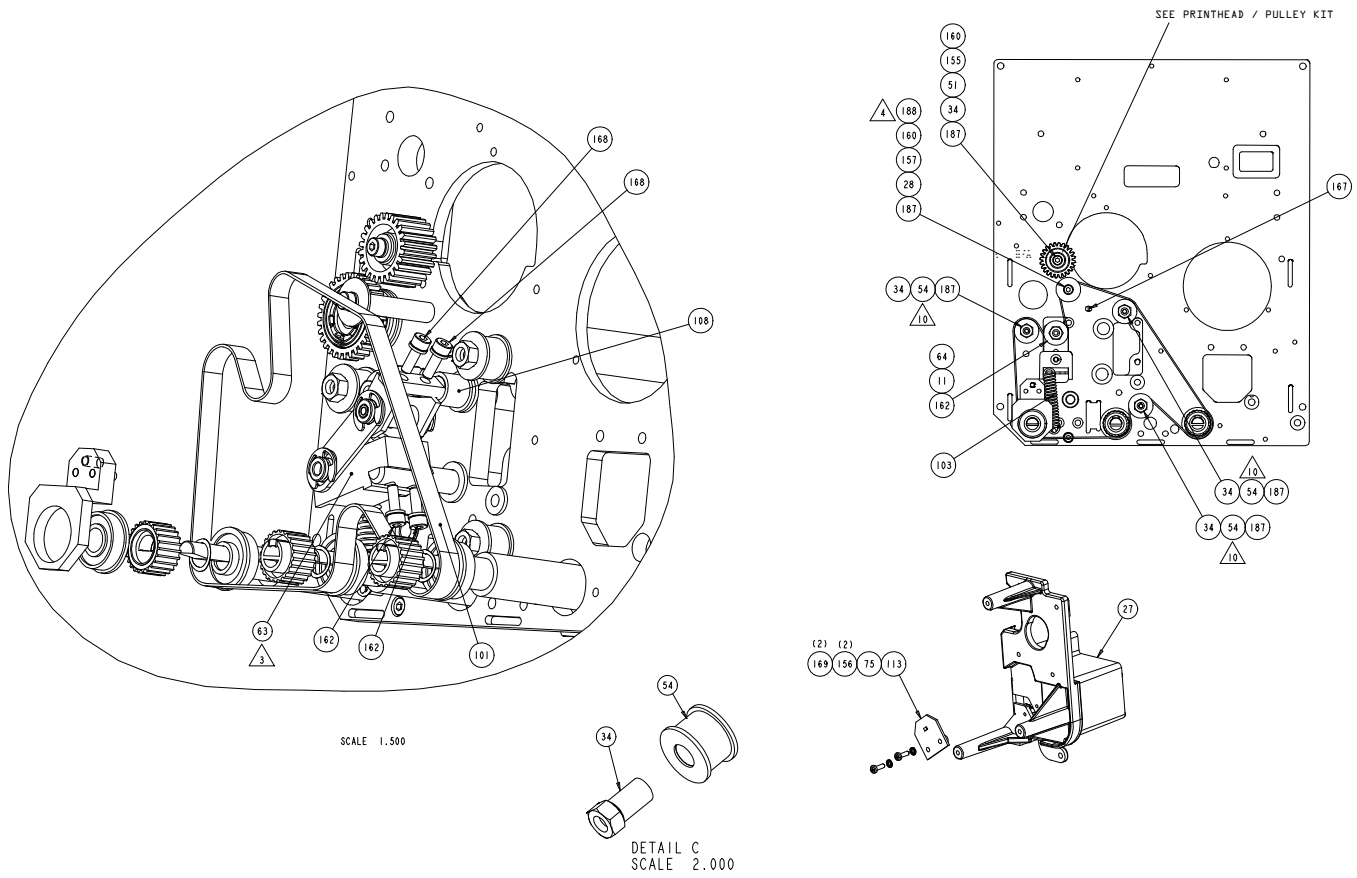


Printer Assembly 5 of 6





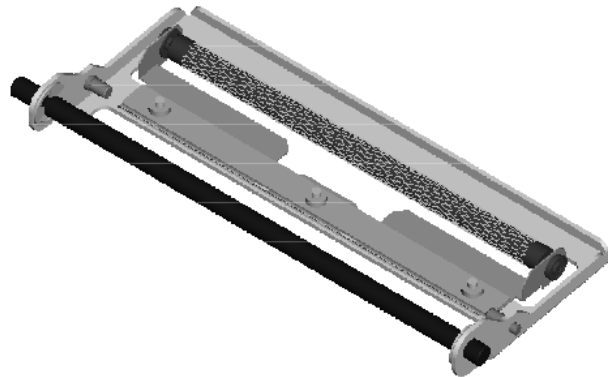
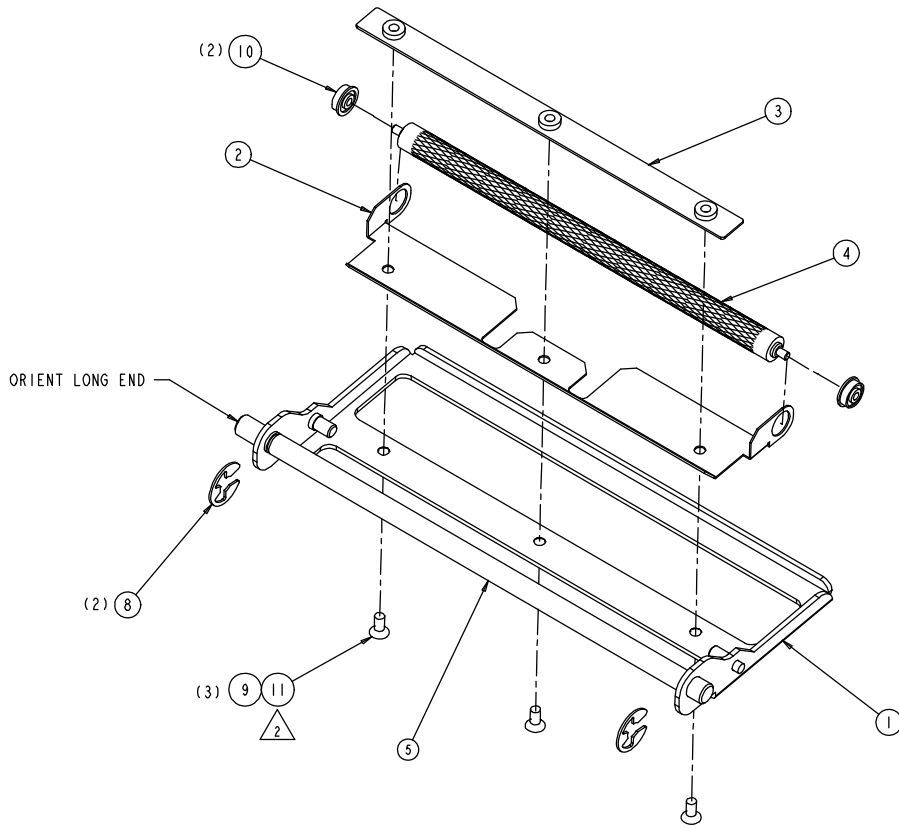
Printer Assembly 6 of 6



Item	Part Number	Description	Notes
1	11-5279-01	PLATE COVER EXPANSION ROHS	
	11-5771-01	PLATE REAR WIRELESS ONLY	See option
2	11-5790-01	G2 GUIDE MEDIA RH W/PINCH ROLLER	
3	11-5780-01	G2 PLATE REAR MEMORY CARD RH	
4	11-5786-01	G2 COVER REAR W/O MEMORY CARD RH	
	11-5779-01	G2 COVER REAR WITH MEMORY CARD RH	
5	11-5531-01	COVER TOP ROHS	
6	11-5791-02	G2 PLATE LOWR 6" RH W/PINCH ROL PIN	
8	11-5577-01	SUPPORT CARD CAGE ROHS	
11	11-5570-01	PLATE NUT ROHS	
12	11-5536-01	GUIDE MEDIA ADJUSTABLE RH ROHS	
13	11-5427-01	PLATE COVER ROHS	
	11-5785-01	G2 PLATE COVER REMOTE DISPLAY	See assembly details
14	11-5602-01	BRACKET RETAINER CABLE ROHS	
15	11-5603-01	COVER CABLE ROHS	
20	12-3342-01	PLATE MOUNTING CARD CAGE ROHS	
21	12-3255-01	HANDLE LATCH RH ROHS	
22	12-3052-03	SHAFT RIBBON IDLER ROHS	
23	12-3217-02	SHAFT LATCH PRINTHEAD 6" ROHS	
24	12-3488-02	BAR PEEL 6" ROHS	
25	12-3244-02	BLOCK SUPPORT PLATEN 6" ROHS	
26	12-3214-01	PLATE SIDE LOWER RH ROHS	
	12-3498-01	G2 PLATE SIDE LWR RH WITH PINCH ROLLER	
27	12-3286-01	BRACKET SUPPORT MOTOR RH ROHS	
28	12-3432-01	POST IDLER ROHS	
29	12-3221-01	BLOCK SUPPORT REAR ROHS	
30	12-3215-02	SUPPORT CENTER ROHS	
31	12-3254-02	POST MEDIA 6" ROHS	
32	12-3221-02	G2 BLOCK SUPPORT REAR W/MEMRY CARD	
33	DPO12-3051-01	(5PK) CAM IDLER RIBBON ROHS	
34	12-3219-01	POST ILDER ROHS	
51	DPO16-2935-01	(2PK) GEAR IDLER ROHS	
54	15-3119-01	PULLEY ASSEMBLY ROHS	
55	16-2924-02	HANDLE LATCH ROHS	
57	DPO16-2950-01	(5PK) COVER SWITCH - PROTECTIVE ROHS	
59	15-3021-02	COVER ASSEMBLY 6" RH ROHS	
60	15-3220-01	G2 CENTERPLATE ASSEMBLY RH	
61	15-3015-01	UPPER SIDE PLATE ASSY RH ROHS	
62	15-2977-02	ASSY 6" RH PRINTHEAD ROHS	See assembly details
63	15-3186-02	PH PRESS ASSY 6" RH ROHS	See assembly details
64	15-2970-01	TENSION ASSY ROHS	
65	15-2974-02	LOWER PINCH ROLLER ASSY 6" RH ROHS	See assembly details
66	15-2976-02	ASSY THREADED ROD ROHS	
67	15-2975-02	RH 6" LATCH ASSEMBLY ROHS	See assembly details
68	15-3215-02	G2 RH REMOVABLE PLATEN ROLLER ASSY 6"	See assembly details
69	15-3019-12	PLATEN ROLLER ASSY 6" PEEL ROHS	See assembly details
70	15-3019-13	PLATEN ROLLER ASSY 6" TAKE-UP ROHS	See assembly details
71	DPO24-2604-01	(2PK) MEDIA SENSOR ASSEMBLY ROHS	
72	24-2691-01	G2 DISPLAY ASSEMBLY ROHS	See assembly details

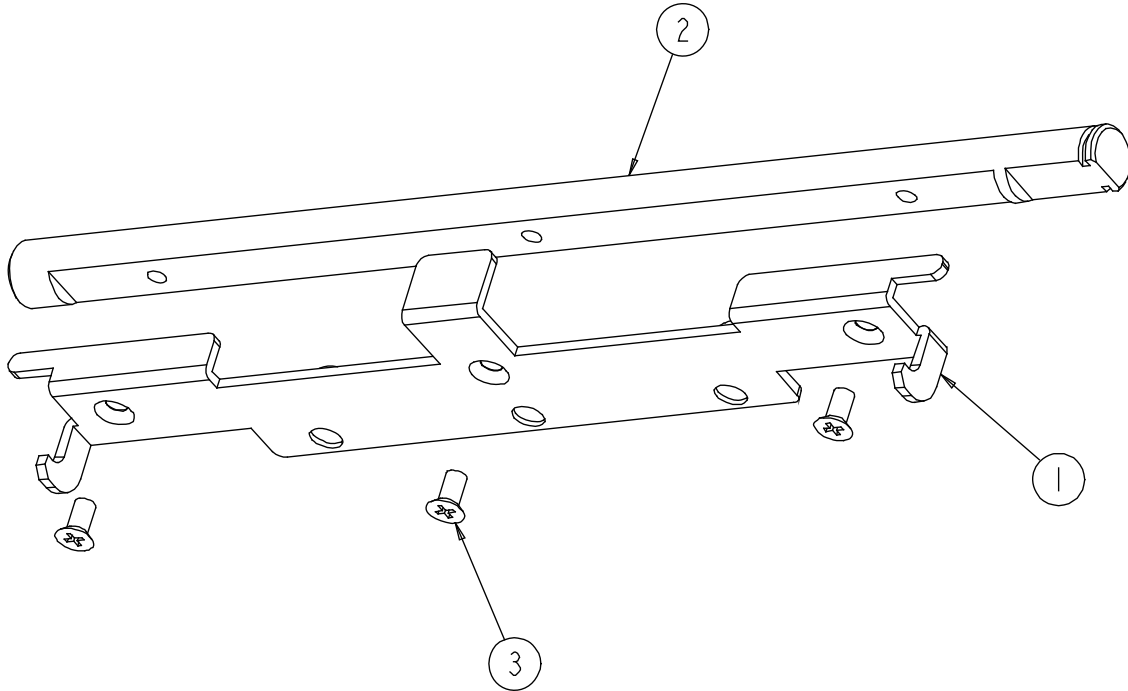
Item	Part Number	Description	Notes
73	24-2685-01	G2 CARD CAGE ASSY NON-REMOTE	See assembly details
	24-2685-02	G2 CARD CAGE ASSY REMOTE READY	See assembly details
80	DPO51-2404-10	(1/PK) CCA,APPLICATOR	
82	24-2617-01	POWER SUPPLY ASSEMBLY ROHS	
101	17-2987-01	BELT TIMING 184 T 3MM HTD ROHS	
103	17-3094-01	SPRING EXTENSION ROHS	
105	DPO17-2816-01	(10PK) BUSHING FLAN .1895X.314X1/4L ROHS	
106	DPO17-3064-01	(5PK) SPRING COMP.24ODX.032WDX.375 ROHS	
107	17-3078-01	SPRING TORSION RH 6" ROHS	
108	DPO17-3011-01	(10PK) BUSHING FLANGED ROHS	
109	DPO17-3067-01	(25PK) PLUG 5/8 HOLE ROHS	
110	DPO44-2060-01	(2PK) ASSY FERRITE ROHS	
111	---	TYWRAP 8" ROHS	
112	---	TIE TWIST LOCK ROHS	
113	---	TYWRAP 4" ROHS	
150	DPO899325	(50PK) SPACER ROHS	
151	DPO10-3152-01	(5PK) WASHER FLAT .175 IDX.626 OD X.062T	
152	DPO10-2518-01	(50PK) WASHER FLAT SS ROHS	
153	DPO10-3021-03	(25PK) RING RETAINING 5/32 CRES ROHS	
154	DPO10-3021-07	(25PK) E-RING 3/8 TRUARC CRES ROHS	
155	DPO10-3018-04	(25PK) WASHER FLAT #8 CRES ROHS	
156	DPO10-3093-01	(25PK) WASHER M3 EXT TOOTH LOCK CRES	
157	DPO10-3136-01	(5PK) WASH FLT .172ID X .75OD X .04 ROHS	
160	DPO10-3085-02	(25PK) SCREW SOC HD CAP W/ LW M4 X 8 ROHS	
162	DPO10-3085-04	(25PK) SCREW SOC HD CAP W/ LW M4 X 12 ROHS	
164	DPO10-3085-07	(25PK) SCREW SOC HD CAP W/ LW M4 X 25 ROHS	
167	DPO17-2962-01	(50PK) CLIP ARROW ROHS	
168	DPO10-3085-03	(25PK) SCREW SOC HD CAP W/ LW M4 X 10 ROHS	
169	DPO10-3092-03	(50PK) SCREW PHP M3 X 10MM CRES	
170	DPO10-3066-01	(25PK) SCREW FLAT HEAD SS M4 X 6 ROHS	
171	DPO10-3066-04	(25PK) SCREW FLAT HEAD SS M4 X 12 ROHS	
175	DPO10-3088-04	(25PK) SCREW FLATHEAD CRES M3 X 12 ROHS	
176	DPO10-3088-05	(25PK) SCREW FLATHEAD CRES M3 X 14 ROHS	
180	DPO10-3092-01	(25PK) SCREW PHP M3 X 6MM CRES	
181	DPO17-3046-01	(5PK) SPRING COMPRESSION ROHS	
182	DPO10-3096-03	(50PK) WASHER SPLIT LOCK M5 CRES ROHS	
183	DPO10-3097-01	(20PK) SCREW SOCKET HD SET M5 X 12 CRES ROHS	
184	13-2422-01	RETAINER PRINT HD CABLE ROHS	
185	DPO17-3065-01	(2PK) SPRING COMP .36ODX.035WDX.75 ROHS	
186	DPO10-3105-01	(50PK) WASHER FLAT .44 ODX .26 IDX.047THK	
187	DPO10-3085-14	(25PK) SCREW SHC W/ LK COMP M4 X 12 ROHS	
188	---	GREASE SILCONE ROHS	
189	DPO10-3066-03	(50PK) SCREW FLAT HEAD SS M4 X 10 ROHS	
190	DPO10-3019-04	(50PK) WASHER SPLIT LOCK #8 CRES ROHS	
191	DPO10-3016-02	(50PK) NUT HEX M4 SS ROHS	
192	DPO10-3085-24	(5PK) SCRW SHC W/ VIBRA-TITE M4 X 12 ROHS	
200	DPO78-2802-01	CCA MAIN W/LAN ROHS	

Lower Pinch Roller Assembly (15-2974-02)



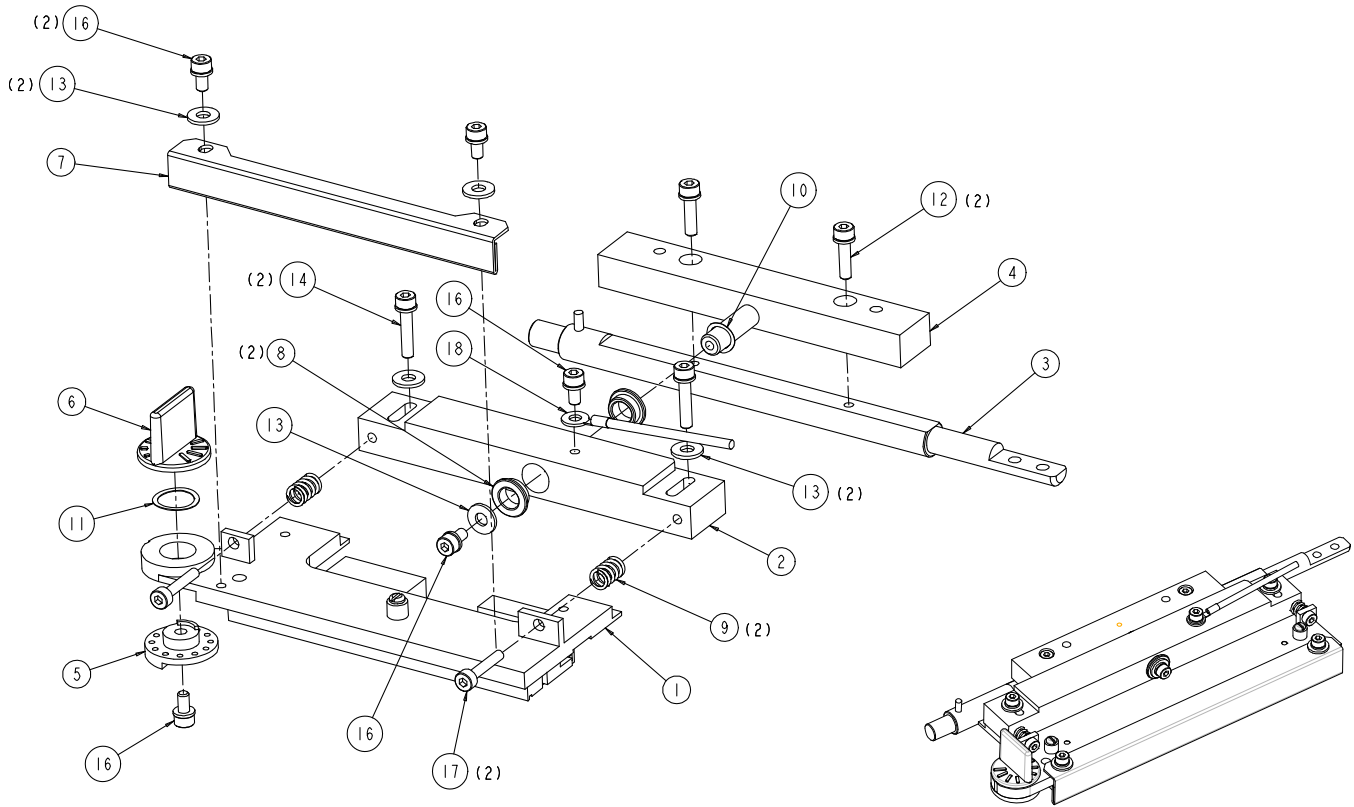
Item	Part Number	Description	Notes
1	15-3183-02	ASSY 6" PINCH ROLLER FRAME ROHS	
2	11-5256-02	SPRING FLAT ROHS	
3	11-5599-02	SCREW PLATE 6" ROHS	
4	12-3295-02	ROLLER PINCH 6" ROHS	
5	12-2574-02	SHAFT HINGE ROHS	
8	DPO10-3021-05	(20PK) E-RING 1/4 TRUARC CRES ROHS	
9	DPO10-3088-07	(25PK) SCREW FLATHEAD CRES M3 X 5 ROHS	
10	17-2856-01	BEARING BALL FL .0937 X .3125 ROHS	
11	---	LOCTITE 242 ROHS	

Latch Assembly (15-2975-02)



Item	Part Number	Description	Notes
1	11-5578-02	LATCH 6" ROHS	
2	12-3280-02	SHAFT LATCH PIVOT ROHS	
3	DPO10-3088-01	(25PK) SCREW FLATHEAD CRES M3 X 6 ROHS	

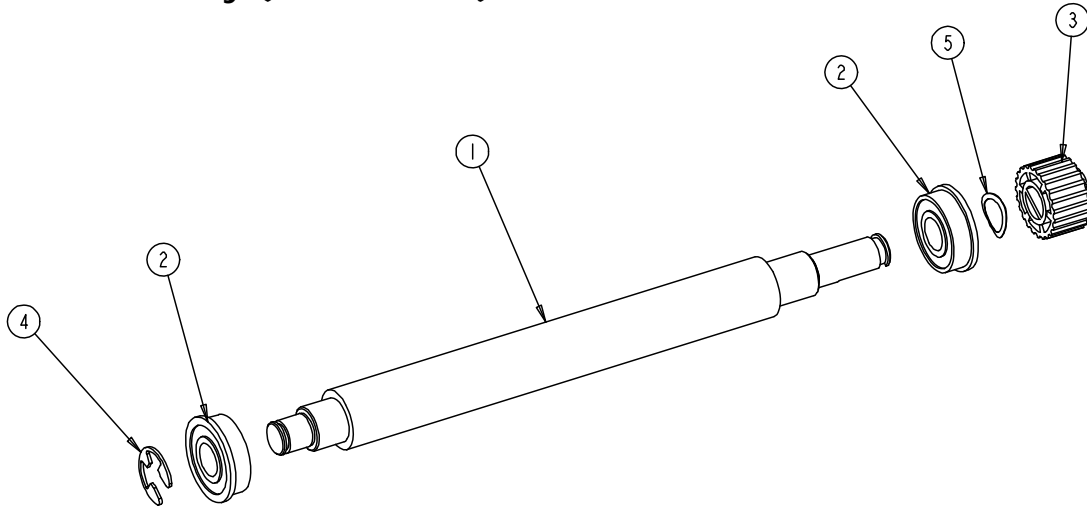
**Printhead Assembly (15-2977-02)**



-02 VERSION

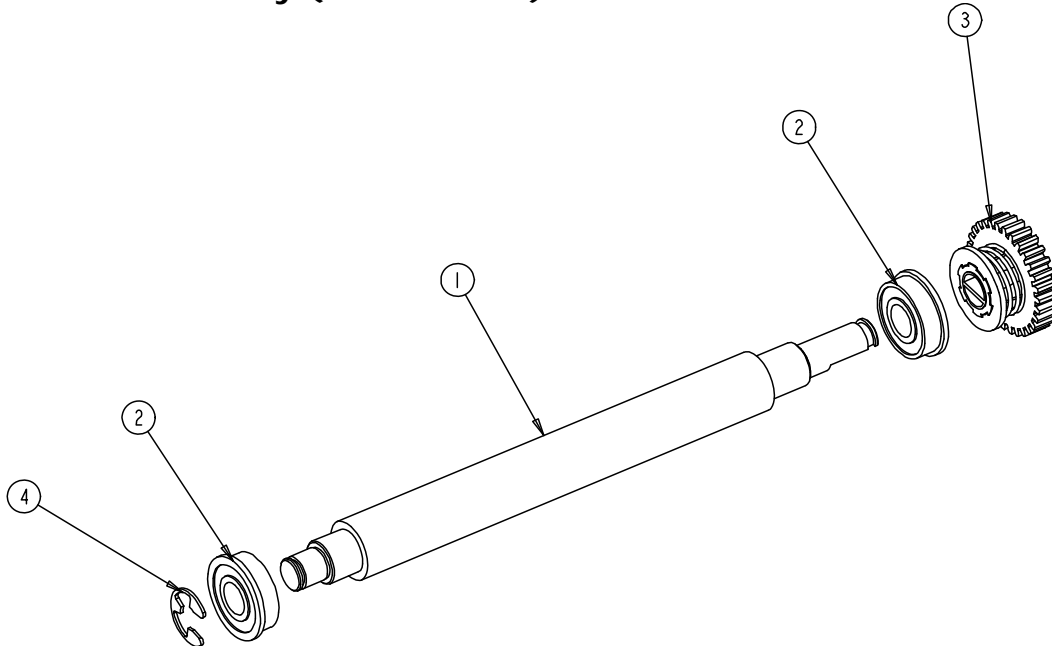
Item	Part Number	Description	Notes
1	15-3103-01	ASSY 6" RH PRINthead MOUNT ROHS	
2	12-3267-04	PIVOT 6" PRINthead ROHS	
3	12-3233-04	SHAFT PRINthead MOUNT ROHS	
4	12-3266-01	PLATE PRINthead ADAPTER ROHS	
5	DPO16-2906-01	(2PK) CAM NARROW MEDIA ROHS	
6	16-2907-01	KNOB NARROW MEDIA ROHS	
7	11-5552-02	SHIELD RIBBON ROHS	
8	DPO899349	(10PK) BEARING - FLANGED .312 ROHS	
9	DPO17-3075-01	(2PK) SPRING COMP.30ODX.045WDX.56 ROHS	
10	DPO10-3084-01	(10PK) WASHER WAVE .312 ID CRES	
11	DPO10-3084-02	(10PK) WASHER WAVE .505 ID CRES	
12	DPO10-3085-05	(25PK) SCRW SH CAP W/ LW M4 X 16 ROHS	
13	DPO10-3018-04	(25PK) WASHER FLAT #8 CRES	
14	DPO10-3085-06	(25PK) SCREW SOC HD CAP W/ LW M4 X 20	
16	DPO10-3085-02	(25PK) SCREW SOC HD CAP W/ LW M4 X 8	
17	DPO10-3015-43	(10PK) SCREW SHC M4X20 CRES W/LKG COMP	
18	32-2528-01	GROUND STRAP ROHS	

**Peel Roller Assembly (15-3019-12)**



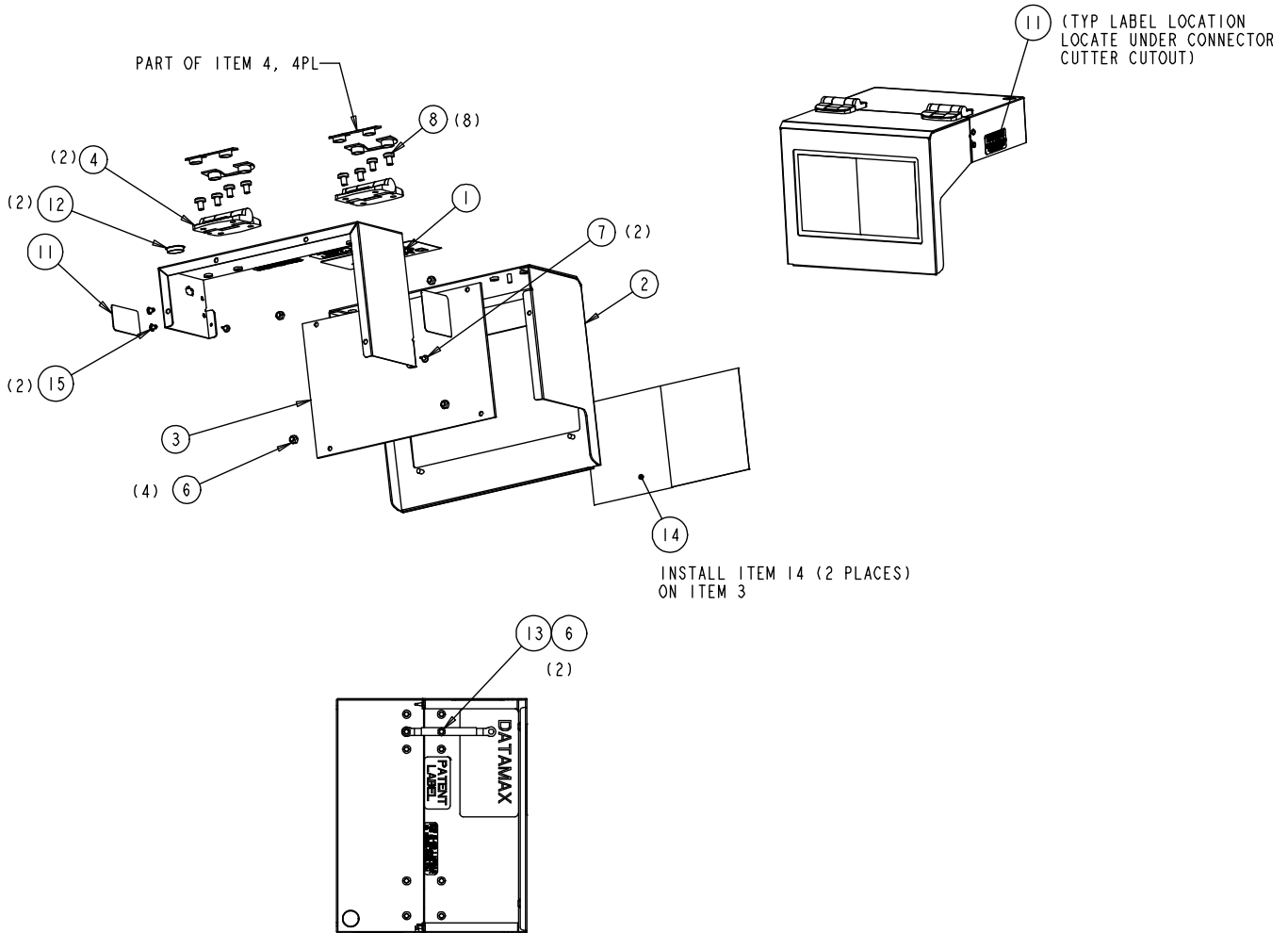
Item	Part Number	Description	Notes
1	13-2405-02	ROLLER PLATEN 6" ROHS	
2	17-3028-01	BEARING FLANGED 440C 3/8X7/8 ROHS	
3	DPO16-2904-01	(2PK) PULLEY TIMING 22 TEETH ROHS	
4	DPO10-3021-07	(25PK) E-RING 3/8 TRUARC CRES	
5	DPO10-3084-03	(5PK) WASHER WAVE .378 ID CRES ROHS	

**Take-up Roller Assembly (15-3019-13)**



Item	Part Number	Description	Notes
1	13-2405-02	ROLLER PLATEN 6" ROHS	
2	17-3028-01	BEARING FLANGED 440C 3/8X7/8 ROHS	
3	15-3020-01	CLUTCH RIBBON TAKE-UP ROHS	
4	DPO10-3021-07	(25PK) E-RING 3/8 TRUARC CRES ROHS	

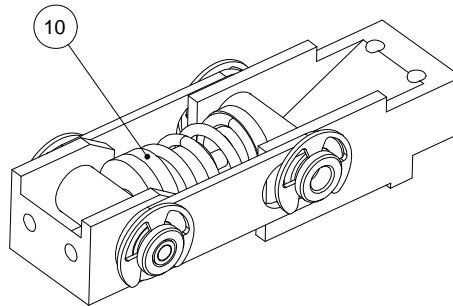
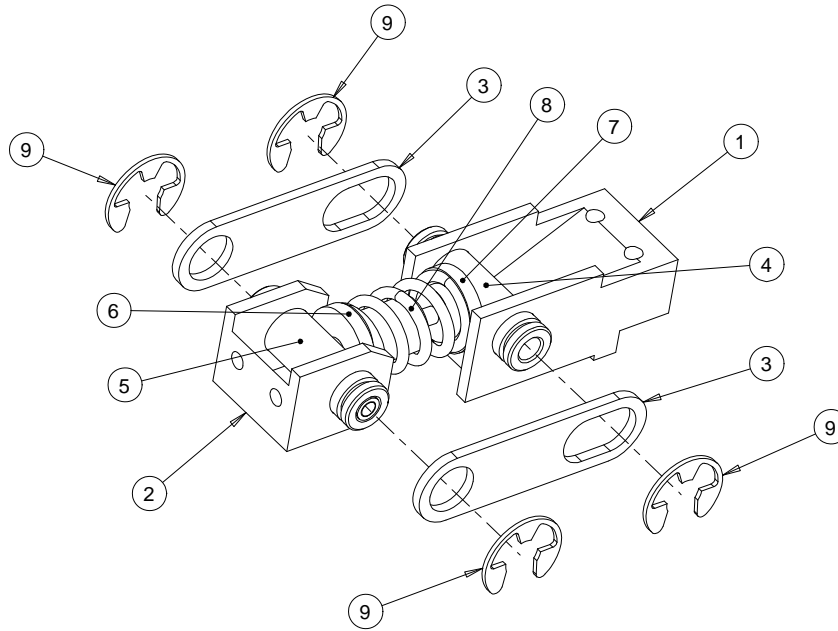
Cover Assembly (15-3021-02)



Item	Part Number	Description	Notes
1	11-5533-02	COVER INNER 6" RH ROHS	
2	11-5534-01	COVER OUTER RH ROHS	
3	16-2887-01	WINDOW ROHS	
4	17-3036-01	HINGE ROHS	
6	DPO10-3091-01	(50PK) NUT HEX SELF-LOCKING M4 CRES ROHS	
7	DPO13-2392-01	(10PK) BUMPER PULL THRU ROHS	
8	DPO10-3090-01	(50PK) SCREW PANHEAD M5 X 8 CRES ROHS	
11	14-2835-01	LABEL WARNING ROHS	
12	DPO17-3067-01	(25PK) PLUG 5/8 HOLE ROHS	
13	32-2553-01	GROUND CABLE A-CLASS COVER ROHS	
14	---	TAPE PROTECTIVE ROHS	
15	DPO17-3174-01	(10PK) RIVET NYLON SNAP .135" DIA	
---	78-2831-01	SENSOR OPEN COVER A-CLASS MKII	Not shown

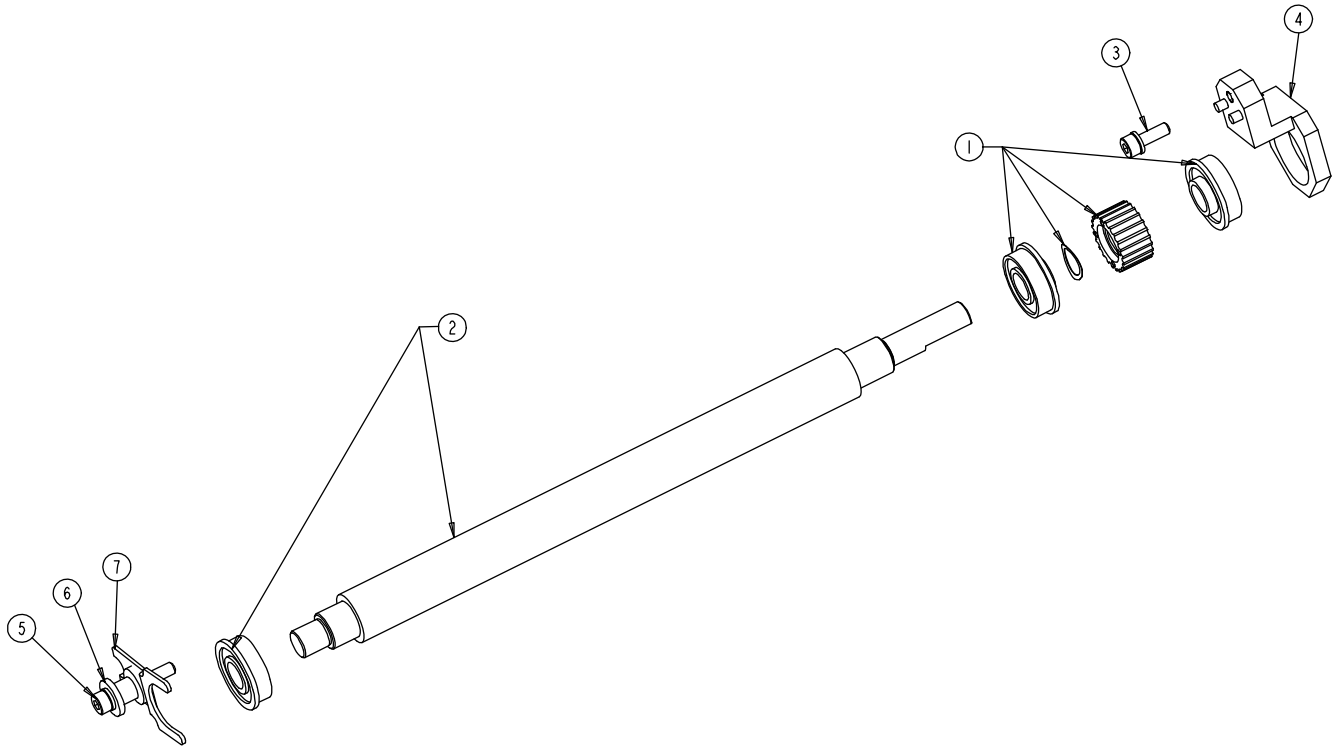


Printhead Pressure Assembly (15-3186-02)



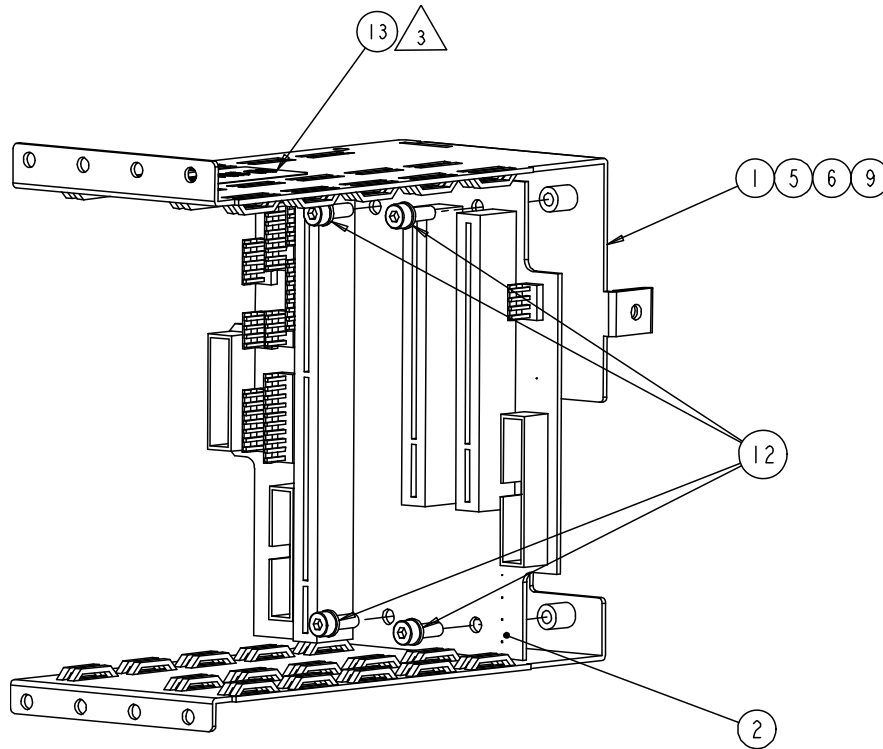
Item	Part Number	Description	Notes
1	12-3229-01	BRACKET PRESSURE LOWER ROHS	
2	12-3485-01	BRACKET PRESSURE UPPER	
3	11-5537-01	RETAINER PRINthead PRESSURE ROHS	
4	12-3486-01	SHAFT PRINthead PRESSURE	
5	15-3187-01	ASSY PIVOT PIN	
6	12-3353-01	SLIDE UPPER ROHS	
7	12-3354-01	SLIDE LOWER ROHS	
8	17-3160-01	SPRING COMPRESSION	
9	DPO10-3021-07	(25PK) E-RING 3/8 TRUARC CRES ROHS	
10	16-3005-01	SPACER PH PRESSURE ROHS	

Platen Roller Removable (15-3215-02)



Item	Part Number	Description	Notes
1	15-3218-01	G2 PLATEN PULLEY ASSY	
2	15-3219-02	G2 REMOVABLE PLATEN ROLLER & OUTER BEARING 6"	
3	DPO10-3085-14	(25PK) SCRW SHC W/ LK COMP M4 X 12	
4	12-3491-01	G2 BLOCK BEARING MTG	
5	DPO10-3085-07	(25PK) SCRW SH CAP W/ LW M4 X 25 ROHS	
6	12-3501-01	G2 POST LATCH	
7	11-5783-01	G2 BRACKET BEARING RETAINER	

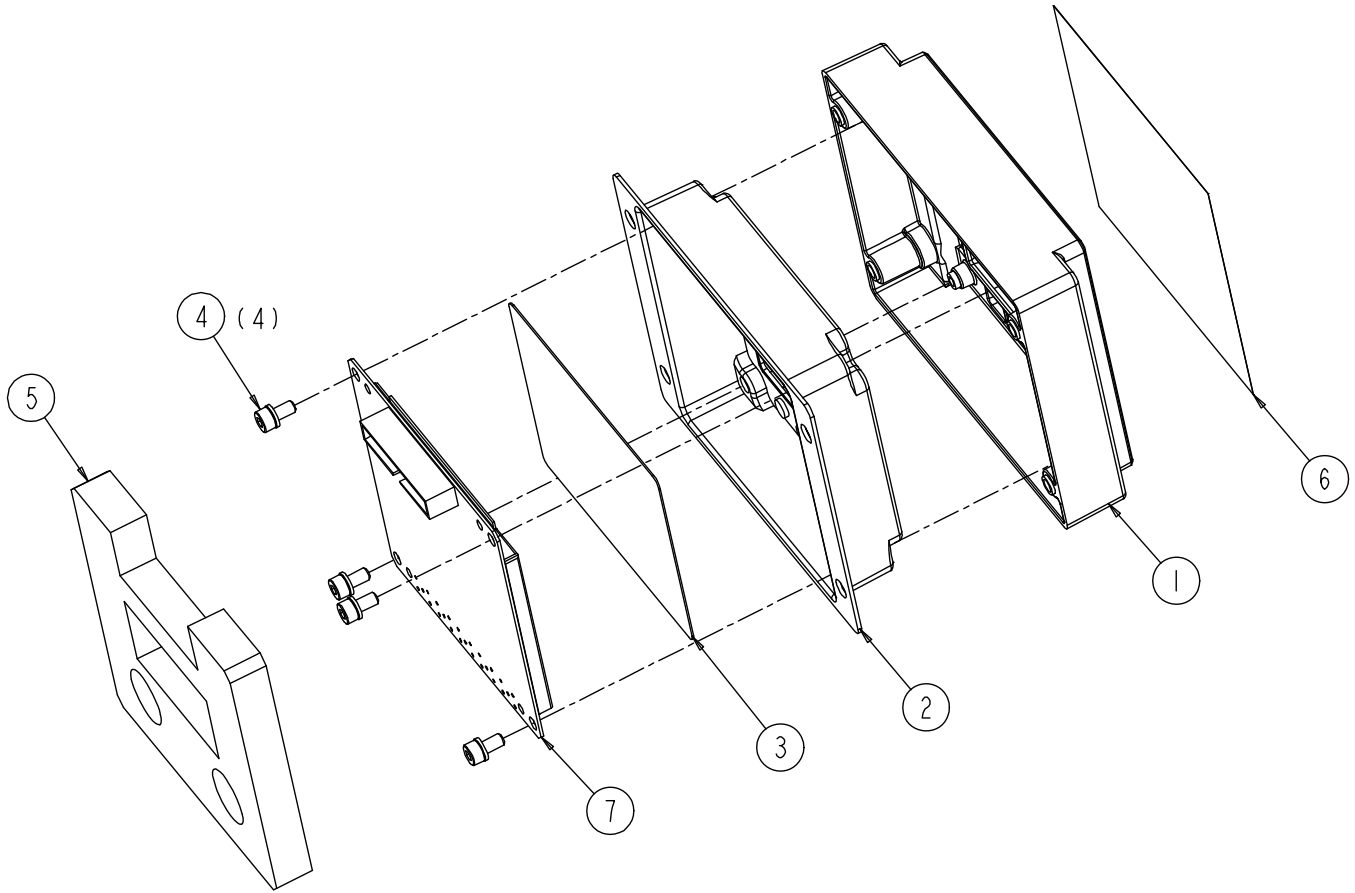
Card Cage Assembly (24-2685-XX)



Item	Part Number	Description	Notes
1	11-5682-02	CARD CAGE ROHS	
2	---	A-CLASS G2 BACKPLANE REMOTE READY	Available as part of whole assembly 24-2685-02
	---	A-CLASS G2 BACKPLANE NON REM. RDY.	Available as part of whole assembly 24-2685-01
5	32-2530-01	CABLE ASSY BACK PLANE PWR ROHS	Not shown
6	32-2531-01	CABLE ASSY MOTOR CONTROL ROHS	Not shown
9	32-2540-01	CABLE ASSY. GRAPHICS DISPLAY ROHS	Not shown
	32-2646-01	CABLE ASSY GRAPHICS & REMOTE DISPLAY ROHS	Not shown
12	DPO10-3085-04	(25PK) SCREW SOC HD CAP W/ LW M4 X 12 ROHS	
13	---	LABEL CARD CAGE UL ROHS	
---	DPO10-2626-01	REMOTE READY DISPLAY ONLY – (50PK) SCRW JACK .19 X .19L 4-40THD ROHS	Quantity 2, not shown
---	DPO140028	REMOTE READY DISPLAY ONLY – (50PK) NUT HEX 4-40 W/ TOOTH KEPS ROHS	Quantity 2, not shown

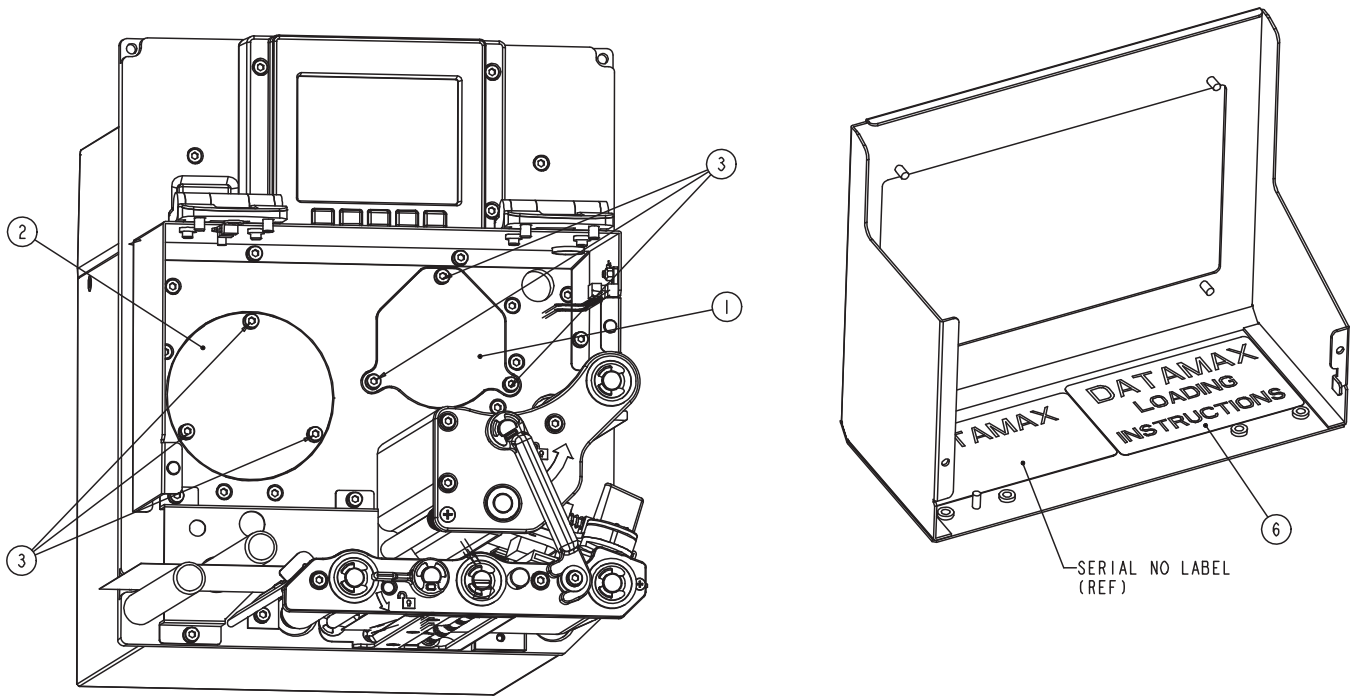


Display Assembly (24-2691-01)



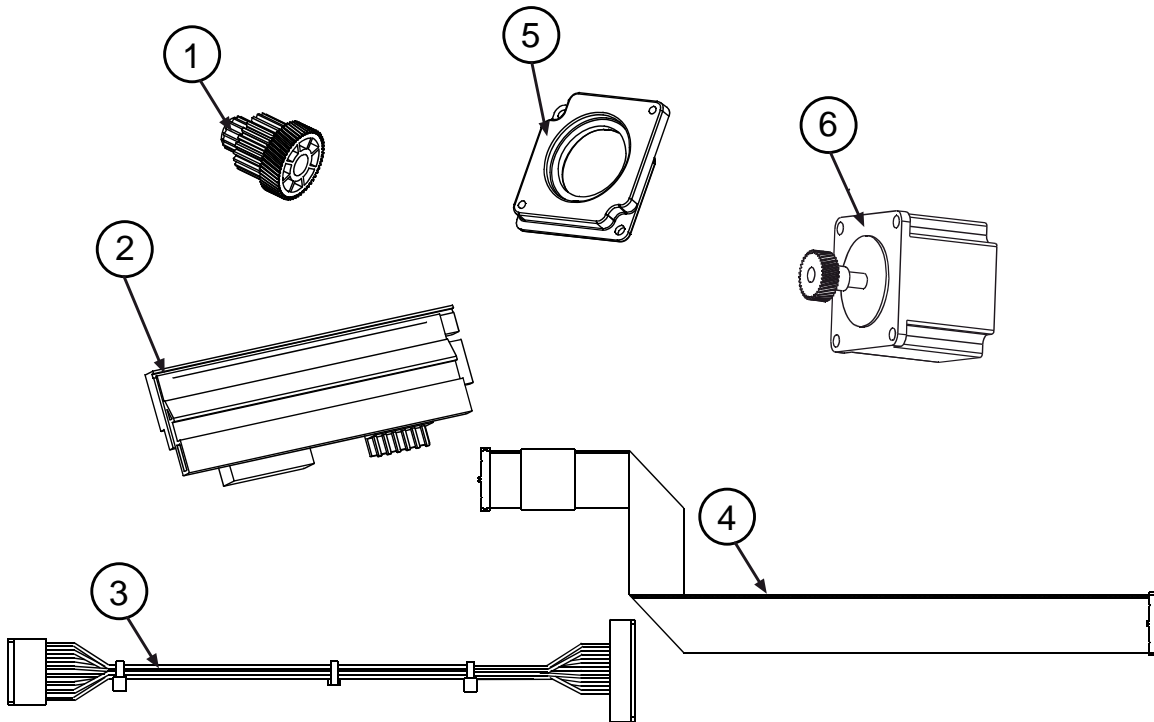
Item	Part Number	Description	Notes
1	12-3270-01	BEZEL DISPLAY ROHS	
2	16-2916-01	KEYPAD 5 BUTTON ROHS	
3	16-2961-01	COVER LCD ROHS	
4	DPO10-3085-02	(25PK) SCRW SH CAP W/ LW M4 X 8 ROHS	
5	DPO13-2425-01	(5PK) FILLER CONTROL PANEL BOOT ROHS	
6	---	TAPE PROTECTIVE ROHS	
7	45-2028-01	A-CLASS G2 DISPLAY 320X240 ALIKEH	

Direct Thermal (78-2474-01)



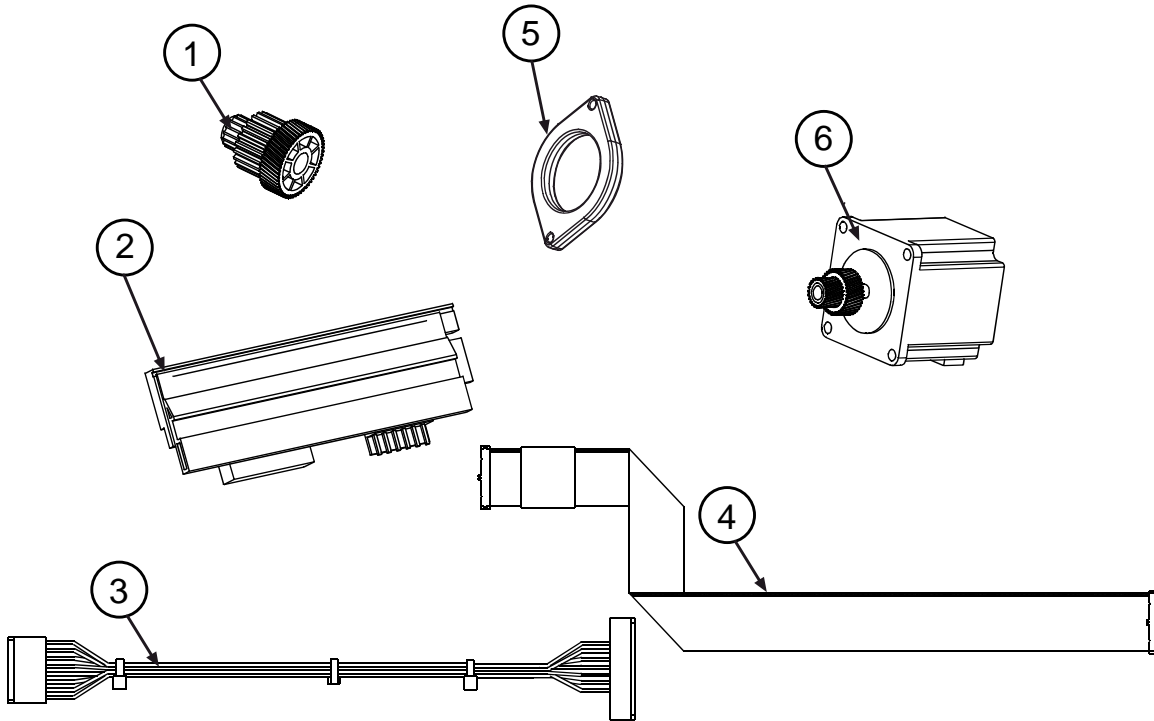
Item	Part Number	Description	Notes
1	11-5584-01	COVER RIBBON TAKE-UP ROHS	
2	11-5585-01	COVER RIBBON SUPPLY ROHS	
3	DPO10-3085-02	(25PK) SCREW SOC HD CAP W/ LW M4 X 8 ROHS	
6	14-2872-03	LABEL LINERLESS LOADING DT ROHS	

Printhead / Pulley Kit, 203 DPI



Item	Part Number	Description	Notes
1	15-3117-01	PULLEY COMPOUND 203DPI, ROHS	
2	PHD20-2245-01	PH 6" WIDE 203 DPI SMART ROHS	
3	32-2534-02	CABLE ASSY 6 IN PRINTHEAD PWR ROHS	
4	32-2650-01	CABLE ASSY 6IN PRINTHEAD DATA ROHS	
5	12-3384-01	SPACER MOTOR MOUNTING RH, ROHS	
6	24-2543-03	STEPPER MOTOR ASSEMBLY, ROHS	
---	DPO10-3085-04	(25PK) SCRW, SH CAP W/LW, M4 X 12, ROHS	Quantity 4, not shown

Printhead / Pulley Kit, 300 DPI



Item	Part Number	Description	Notes
1	15-3118-01	GEAR COMPOUND 300DPI, ROHS	
2	PHD20-2246-01	PH 6" WIDE 300 DPI SMART ROHS	
3	32-2534-02	CABLE ASSY 6" PRINthead PWR ROHS	
4	32-2650-01	CABLE ASSY. 6IN PRINthead DATA ROHS	
5	12-3370-01	SPACER MOTOR MOUNTING, ROHS	
6	24-2543-02	STEPPER MOTOR ASSEMBLY, ROHS	
---	DPO10-3085-06	(25PK) SCRW, SH CAP W/LW, M4 X 20, ROHS	Quantity 2, not shown



## **Four-Inch Left Hand Printer Assemblies:**

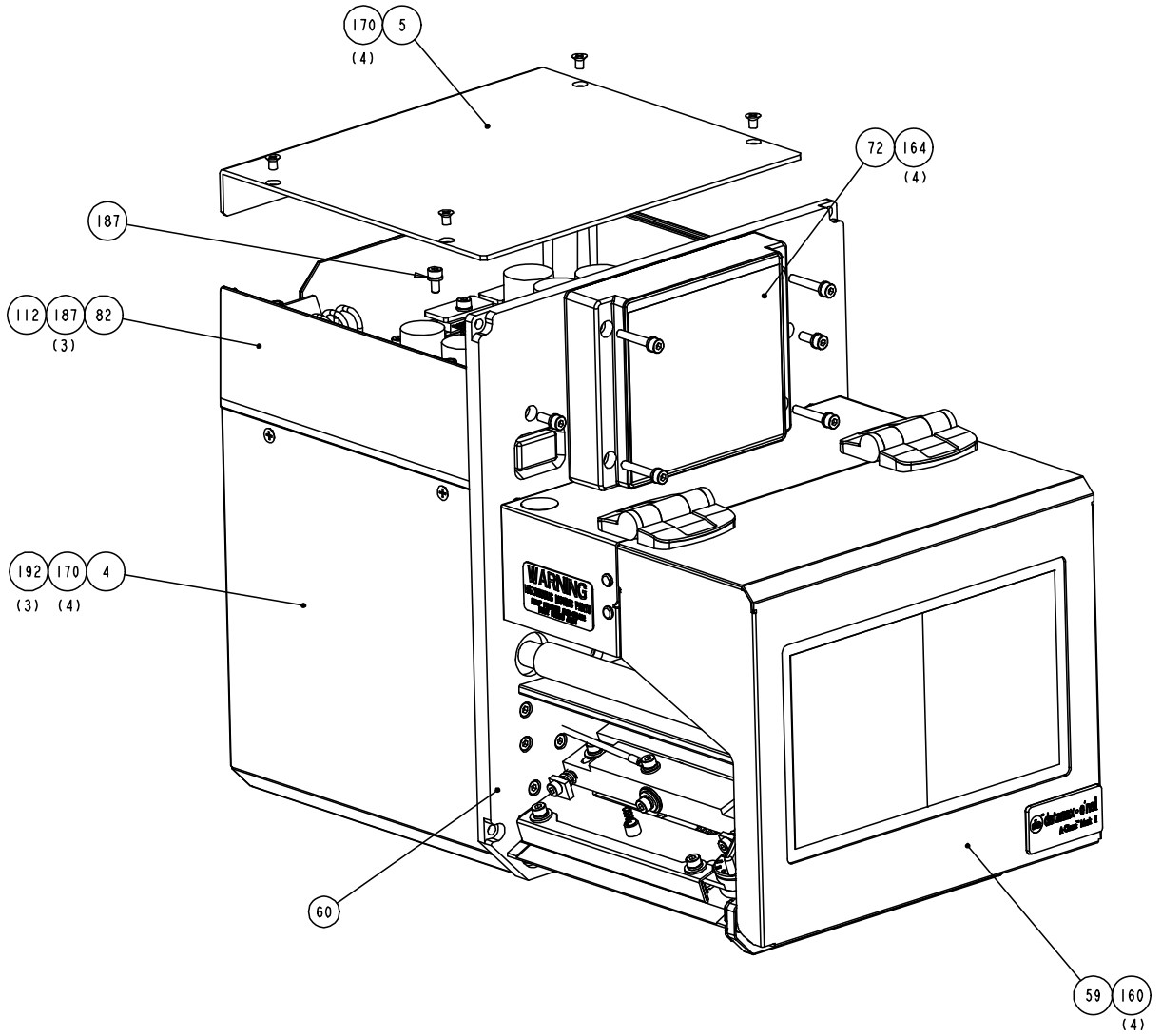
***A-4212 Mark II***

***A-4310 Mark II***

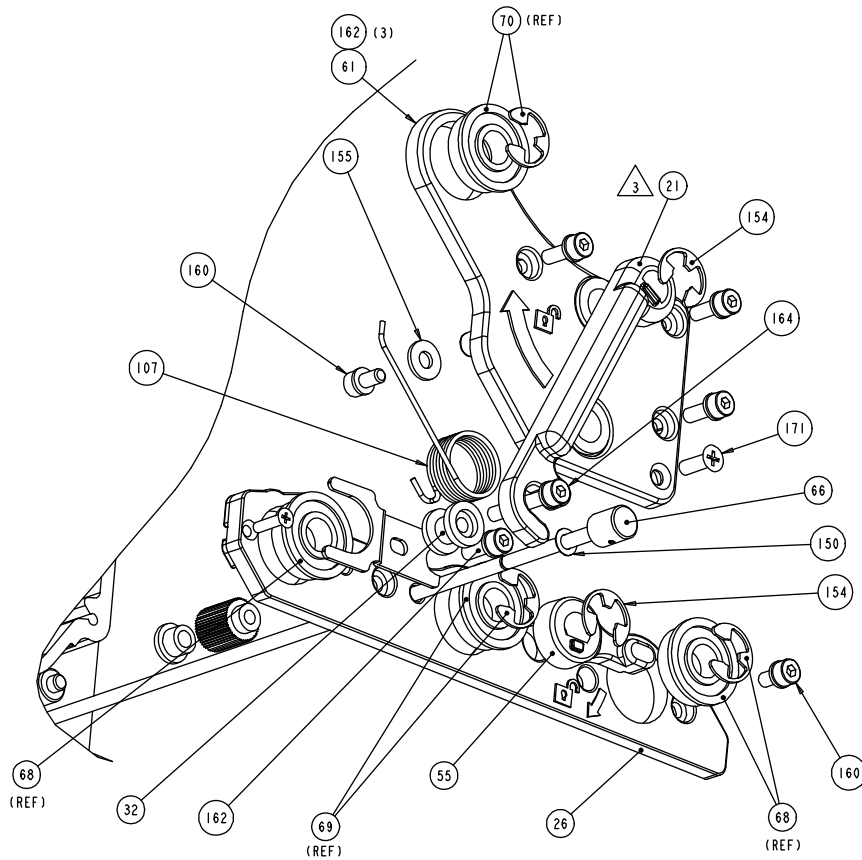
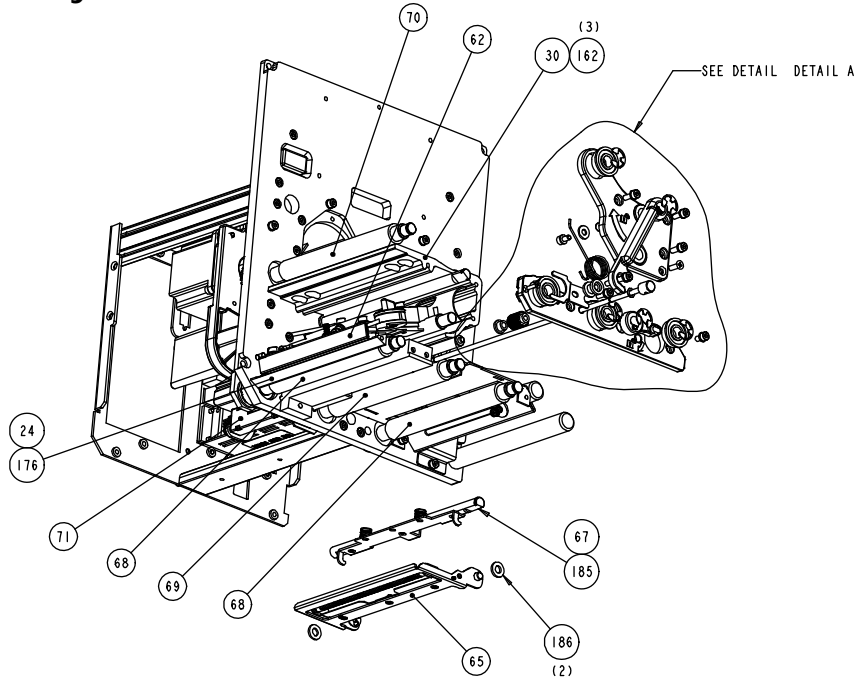
***A-4408 Mark II***

***A-4606 Mark II***

Printer Assembly 1 of 6

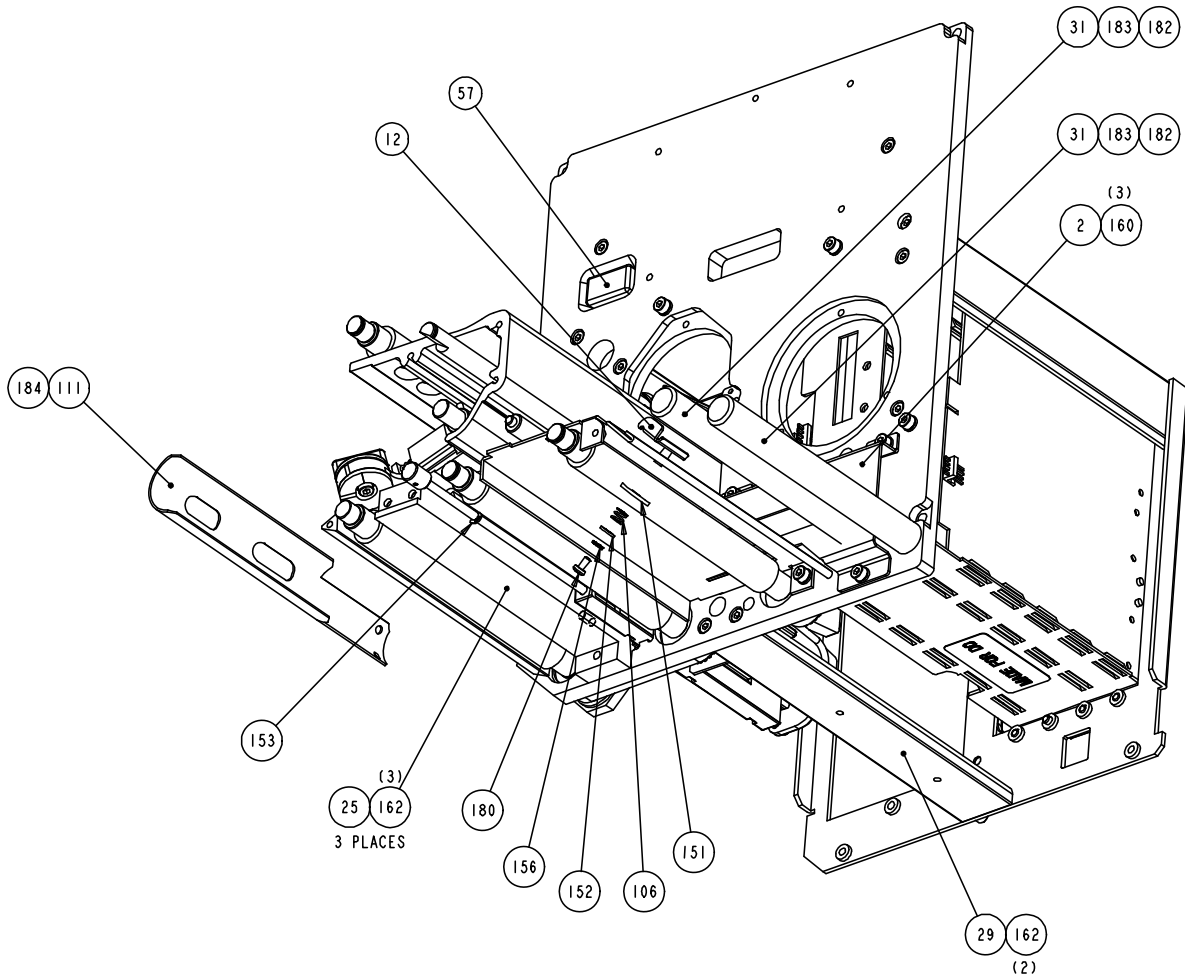


Printer Assembly 2 of 6

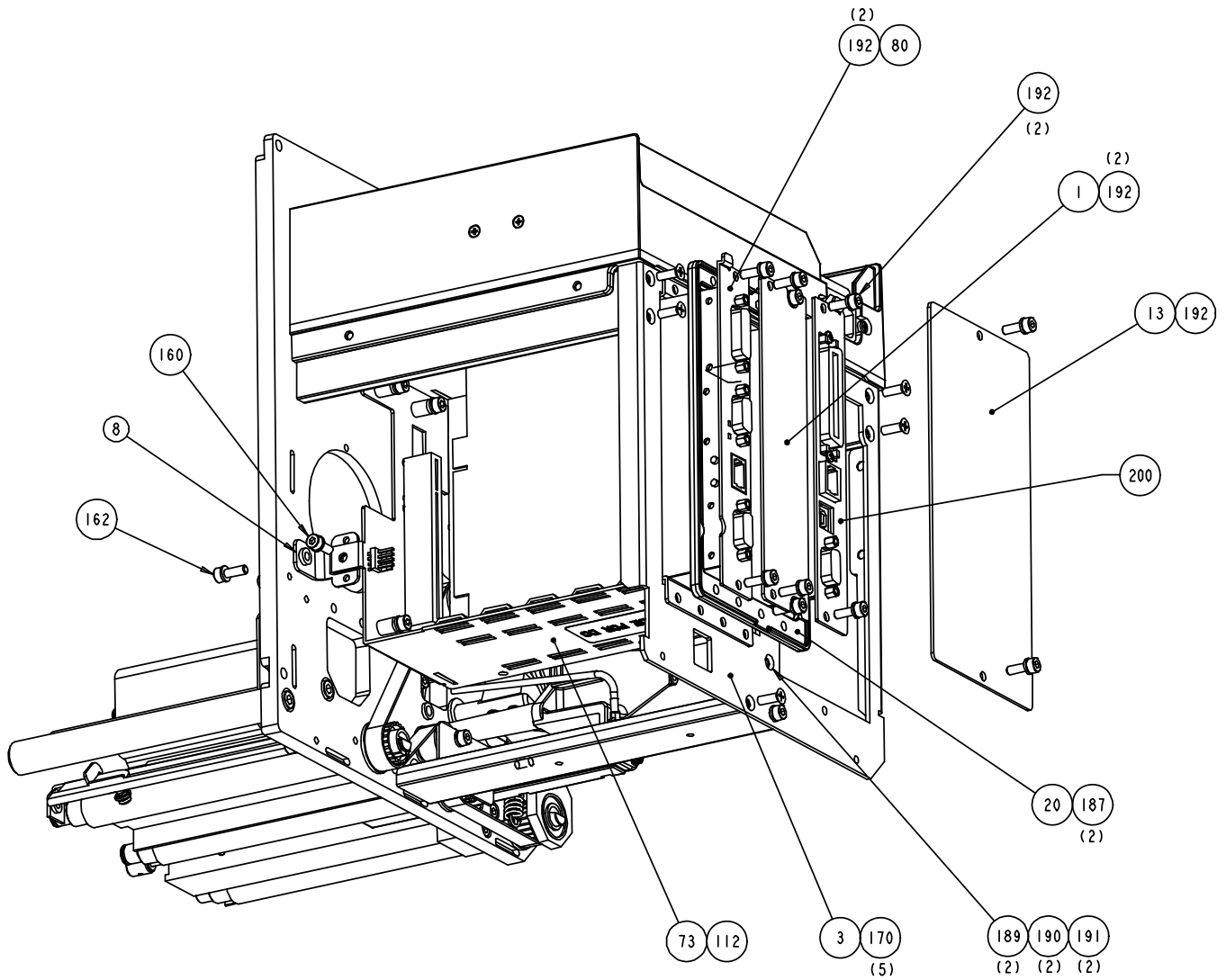


DETAIL DETAIL A  
SCALE 1.500

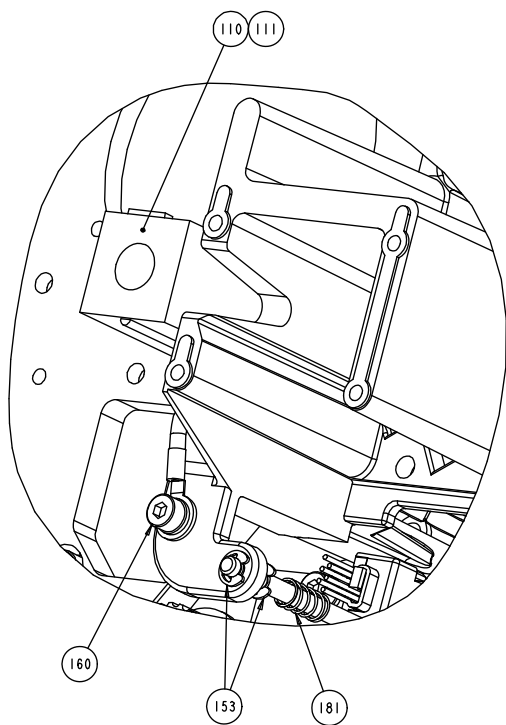
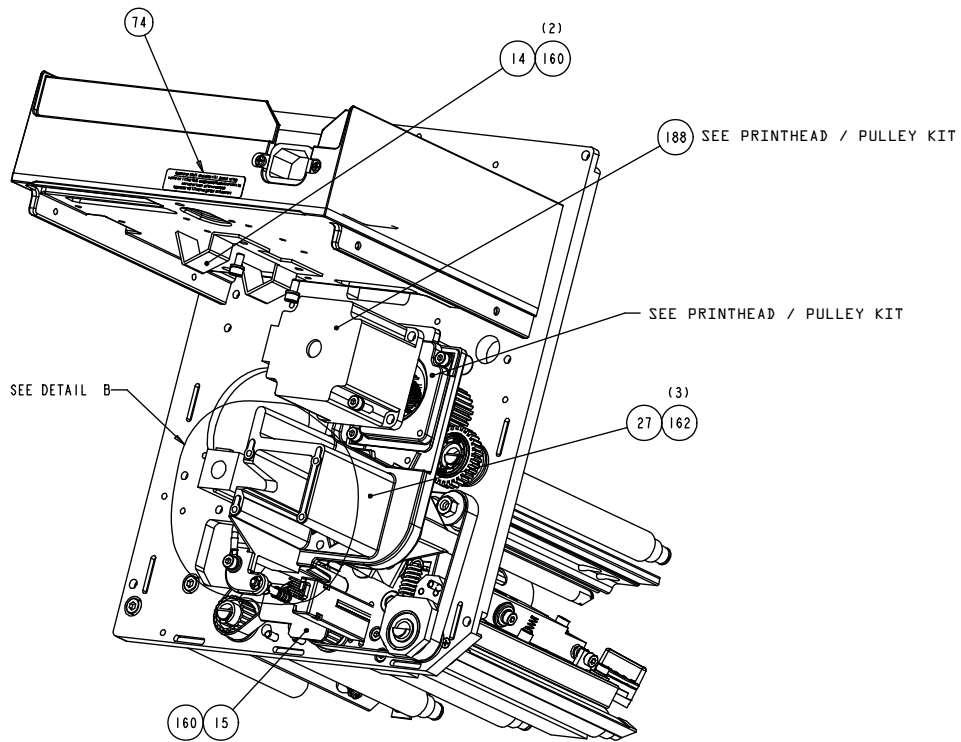
Printer Assembly 3 of 6



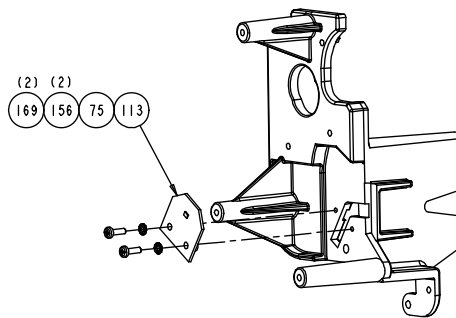
Printer Assembly 4 of 6



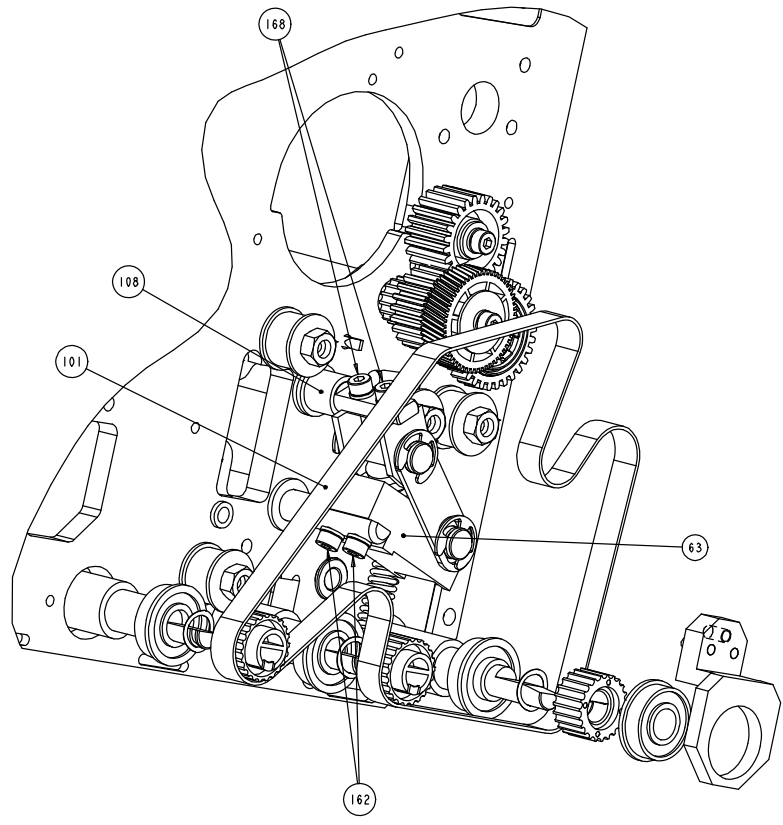
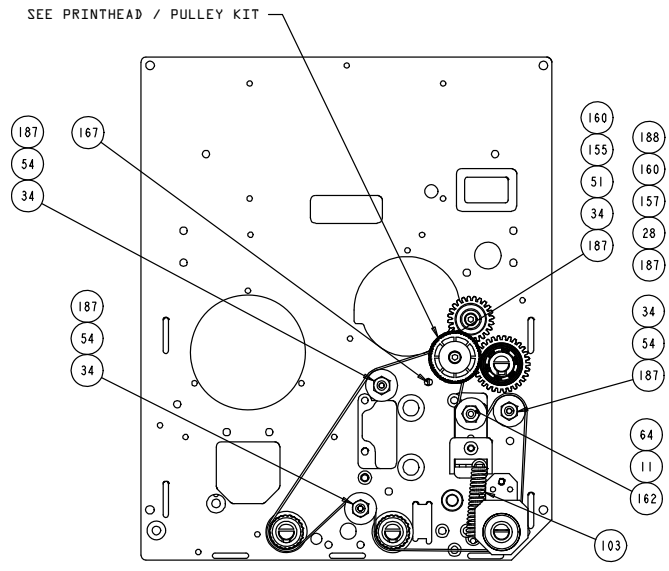
Printer Assembly 5 of 6



DETAIL B  
SCALE 2.000



Printer Assembly 6 of 6



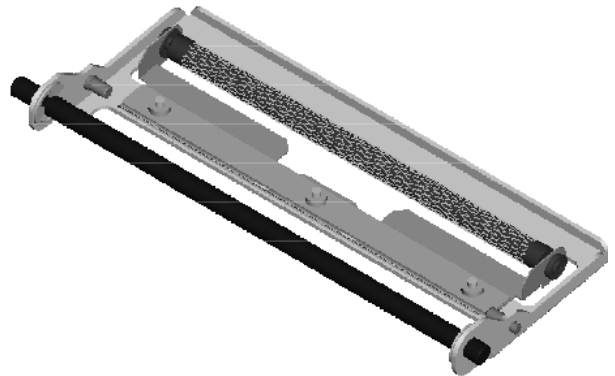
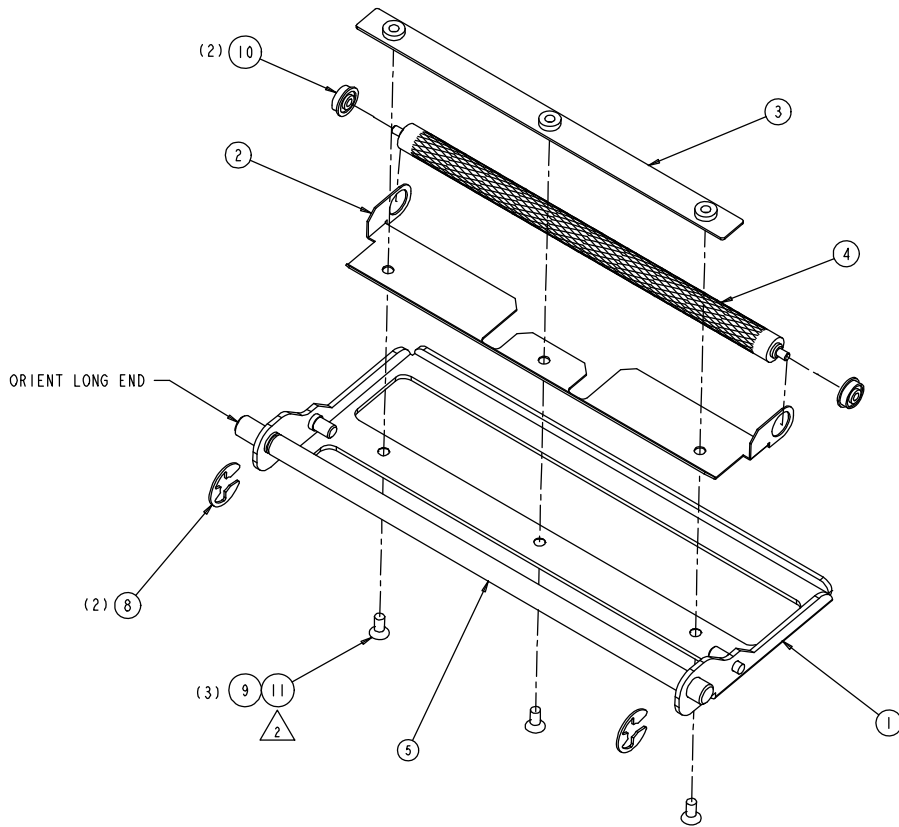
SCALE 1.500

Item	Part Number	Description	Notes
1	11-5279-01	PLATE COVER EXPANSION ROHS	
	11-5771-01	PLATE REAR WIRELESS ONLY	See option
2	11-5790-02	G2 GUIDE MEDIA LH W/PINCH ROLLER	
3	11-5780-02	G2 PLATE REAR MEMORY CARD LH	
4	11-5786-02	G2 COVER REAR W/O MEMORY CARD LH	
	11-5779-02	G2 COVER REAR WITH MEMORY CARD LH	
5	11-5531-01	COVER TOP ROHS	
6	11-5791-11	G2 PLATE LOWR 4" LH W/PINCH ROL PIN	
8	11-5577-01	SUPPORT CARD CAGE ROHS	
11	11-5570-01	PLATE NUT ROHS	
12	11-5536-02	GUIDE MEDIA ADJUSTABLE LH ROHS	
13	11-5427-01	PLATE COVER ROHS	
	11-5785-01	G2 PLATE COVER REMOTE DISPLAY	See assembly details
14	11-5602-01	BRACKET RETAINER CABLE ROHS	
15	11-5603-01	COVER CABLE ROHS	
20	12-3342-01	PLATE MOUNTING CARD CAGE ROHS	
21	12-3255-02	HANDLE LATCH LH ROHS	
22	12-3052-02	SHAFT RIBBON IDLER ROHS	
23	12-3217-01	SHAFT LATCH PRINTHEAD 4" ROHS	
24	12-3488-01	BAR PEEL 4" ROHS	
25	12-3244-01	BLOCK SUPPORT PLATEN 4" ROHS	
26	12-3214-02	PLATE SIDE LOWER LH ROHS	
	12-3498-02	G2 PLATE SIDE LWR LH WITH PINCH ROLLER	
27	12-3286-02	BRACKET SUPPORT MOTOR LH ROHS	
28	12-3432-01	POST IDLER ROHS	
29	12-3221-01	BLOCK SUPPORT REAR ROHS	
30	12-3215-01	SUPPORT CENTER ROHS	
31	12-3254-01	POST MEDIA 4" ROHS	
32	12-3221-02	G2 BLOCK SUPPORT REAR W/MEMRY CARD	
33	DPO12-3051-01	(5PK) CAM IDLER RIBBON ROHS	
34	12-3219-01	POST ILDER ROHS	
51	DPO16-2935-01	(2PK) GEAR IDLER ROHS	
54	15-3119-01	PULLEY ASSEMBLY ROHS	
55	16-2924-04	HANDLE LATCH ROHS	
57	DPO16-2950-01	(5PK) COVER SWITCH - PROTECTIVE ROHS	
59	15-3021-11	COVER ASSEMBLY 4" LH ROHS	
60	15-3220-02	G2 CENTERPLATE ASSEMBLY LH	
61	15-3015-02	UPPER SIDE PLATE ASSY LH ROHS	
62	15-2977-11	ASSY 4" LH PRINTHEAD ROHS	See assembly details
63	15-3186-11	PH PRESS ASSY 4" LH ROHS	See assembly details
64	15-2970-01	TENSION ASSY ROHS	
65	15-2974-11	LOWER PINCH ROLLER ASSY 4" LH ROHS	See assembly details
66	15-2976-01	ASSY THREADED ROD ROHS	
67	15-2975-11	G2 LH 4" LATCH ASSEMBLY ROHS	See assembly details
68	15-3215-11	G2 LH REMOVABLE PLATEN ROLLER ASSY 4"	See assembly details
69	15-3019-02	PLATEN ROLLER ASSY 4" PEEL ROHS	See assembly details
70	15-3019-03	PLATEN ROLLER ASSY 4" TAKE-UP ROHS	See assembly details
71	DPO24-2604-01	(2PK) MEDIA SENSOR ASSEMBLY ROHS	
72	24-2691-01	G2 DISPLAY ASSEMBLY ROHS	See assembly details



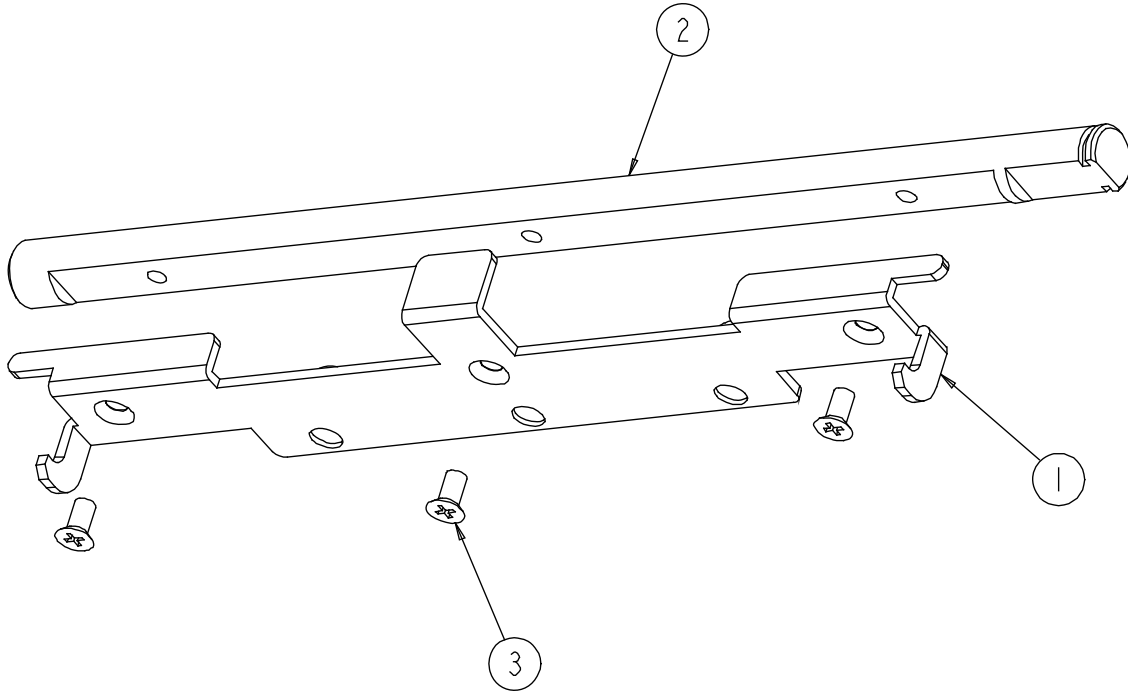
Item	Part Number	Description	Notes
73	24-2685-01	G2 CARD CAGE ASSY NON-REMOTE	See assembly details
	24-2685-02	G2 CARD CAGE ASSY REMOTE READY	See assembly details
74	---	EARTHED SOCKET-OUTLET LABEL COMPACT	
75	51-2434-00	CCA HEAD HOME HALL EFF. ROHS	
80	DPO51-2404-10	(1/PK)CCA,APPLICATOR	
82	24-2617-01	POWER SUPPLY ASSEMBLY ROHS	
101	17-2987-01	BELT TIMING 184 T 3MM HTD ROHS	
103	17-3094-01	SPRING EXTENSION ROHS	
105	DPO17-2816-01	(10PK) BUSHING FLAN .1895X.314X1/4L ROHS	
106	DPO17-3064-01	(5PK) SPRING COMP.24ODX.032WDX.375 ROHS	
107	17-3029-02	SPRING TORSION HEAD LIFT LH ROHS	
108	DPO17-3011-01	(10PK) BUSHING FLANGED ROHS	
109	DPO17-3067-01	(25PK) PLUG 5/8 HOLE ROHS	
110	DPO44-2060-01	(2PK) ASSY FERRITE ROHS	
111	---	TYWRAP 8" ROHS	
112	---	TIE TWIST LOCK ROHS	
113	---	TYWRAP 4" ROHS	
150	DPO899325	(50PK) SPACER ROHS	
151	DPO10-3152-01	(5PK) WASHER FLAT .175 IDX.626 OD X.062T	
152	DPO10-2518-01	(50PK) WASHER FLAT SS ROHS	
153	DPO10-3021-03	(25PK) RING RETAINING 5/32 CRES ROHS	
154	DPO10-3021-07	(25PK) E-RING 3/8 TRUARC CRES ROHS	
155	DPO10-3018-04	(25PK) WASHER FLAT #8 CRES ROHS	
156	DPO10-3093-01	(25PK) WASHER M3 EXT TOOTH LOCK CRES	
157	DPO10-3136-01	(5PK) WASH FLT .172ID X .75OD X .04 ROHS	
160	DPO10-3085-02	(25PK) SCREW SOC HD CAP W/ LW M4 X 8 ROHS	
162	DPO10-3085-04	(25PK) SCREW SOC HD CAP W/ LW M4 X 12 ROHS	
164	DPO10-3085-07	(25PK) SCREW SOC HD CAP W/ LW M4 X 25 ROHS	
167	DPO17-2962-01	(50PK) CLIP ARROW ROHS	
168	DPO10-3085-03	(25PK) SCREW SOC HD CAP W/ LW M4 X 10 ROHS	
169	DPO10-3092-03	(50PK) SCREW PHP M3 X 10MM CRES	
170	DPO10-3066-01	(25PK) SCREW FLAT HEAD SS M4 X 6 ROHS	
171	DPO10-3066-04	(25PK) SCREW FLAT HEAD SS M4 X 12 ROHS	
175	DPO10-3088-04	(25PK) SCREW FLATHEAD CRES M3 X 12 ROHS	
176	DPO10-3088-05	(25PK) SCREW FLATHEAD CRES M3 X 14 ROHS	
180	DPO10-3092-01	(25PK) SCREW PHP M3 X 6MM CRES	
181	DPO17-3046-01	(5PK) SPRING COMPRESSION ROHS	
182	DPO10-3096-03	(50PK) WASHER SPLIT LOCK M5 CRES ROHS	
183	DPO10-3097-01	(20PK) SCREW SOCKET HD SET M5 X 12 CRES ROHS	
184	13-2422-01	RETAINER PRINT HD CABLE ROHS	
185	DPO17-3065-01	(2PK) SPRING COMP .36ODX.035WDX.75 ROHS	
186	DPO10-3105-01	(50PK) WASHER FLAT .44 ODX .26 IDX.047THK	
187	DPO10-3085-14	(25PK) SCREW SHC W/ LK COMP M4 X 12 ROHS	
188	---	GREASE SILCONE ROHS	
189	DPO10-3066-03	(50PK) SCREW FLAT HEAD SS M4 X 10 ROHS	
190	DPO10-3019-04	(50PK) WASHER SPLIT LOCK #8 CRES ROHS	
191	DPO10-3016-02	(50PK) NUT HEX M4 SS ROHS	
192	DPO10-3085-24	(5PK) SCRW SHC W/ VIBRA-TITE M4 X 12 ROHS	
200	DPO78-2802-01	CCA MAIN W/LAN ROHS	

Lower Pinch Roller Assembly (15-2974-11)



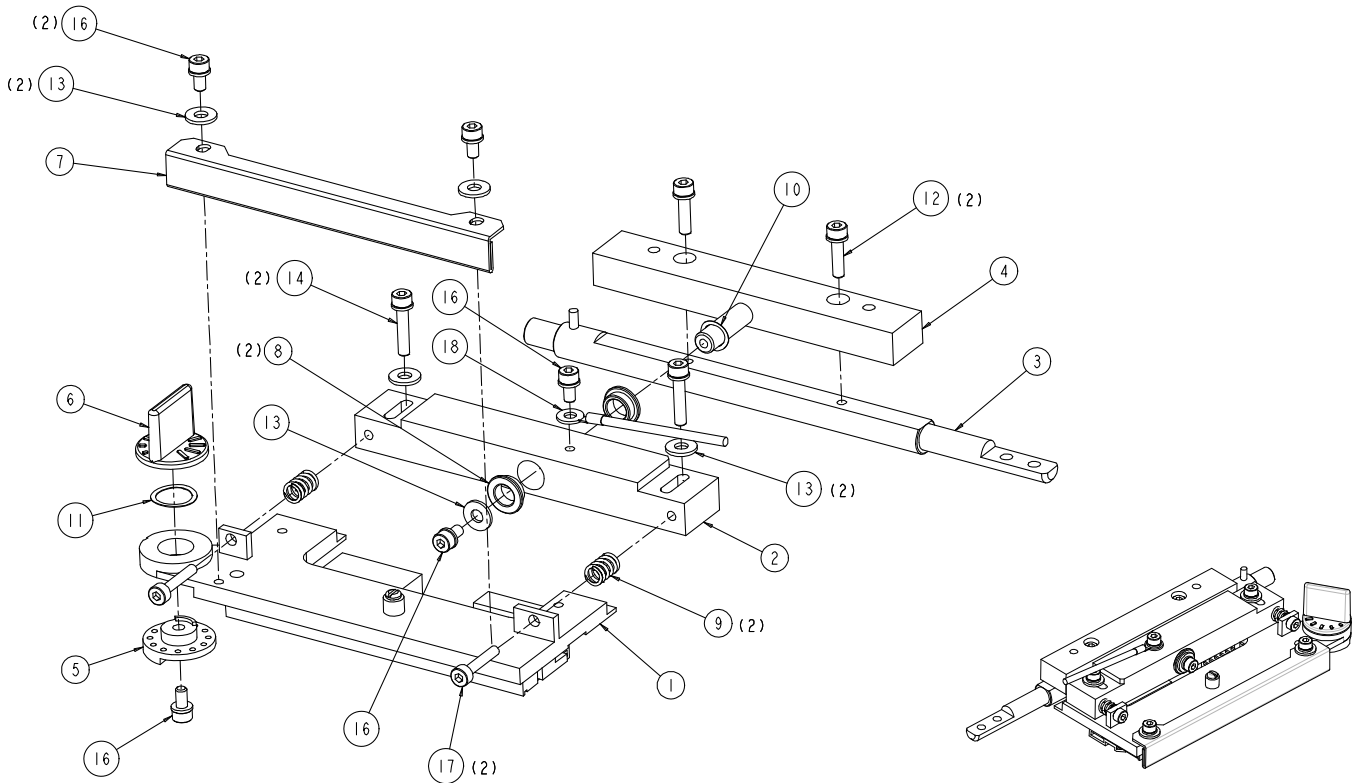
Item	Part Number	Description	Notes
1	15-3183-01	ASSY 4" PINCH ROLLER FRAME ROHS	
2	11-5256-01	SPRING FLAT ROHS	
3	11-5599-01	SCREW PLATE 4" ROHS	
4	12-3295-01	ROLLER PINCH 4" ROHS	
5	12-2574-01	HINGE SHAFT ROHS	
8	DPO10-3021-05	(20PK) E-RING 1/4 TRUARC CRES	
9	DPO10-3088-07	(25PK) SCREW FLATHEAD CRES M3 X 5	
10	17-2856-01	BEARING BALL FL .0937 X .3125 ROHS	
11	---	LOCTITE 242 ROHS	

Latch Assembly (15-2975-11)



Item	Part Number	Description	Notes
1	11-5578-01	LATCH 4" ROHS	
2	12-3280-01	SHAFT LATCH PIVOT ROHS	
3	DPO10-3088-01	(25PK) SCREW FLATHEAD CRES M3 X 6 ROHS	

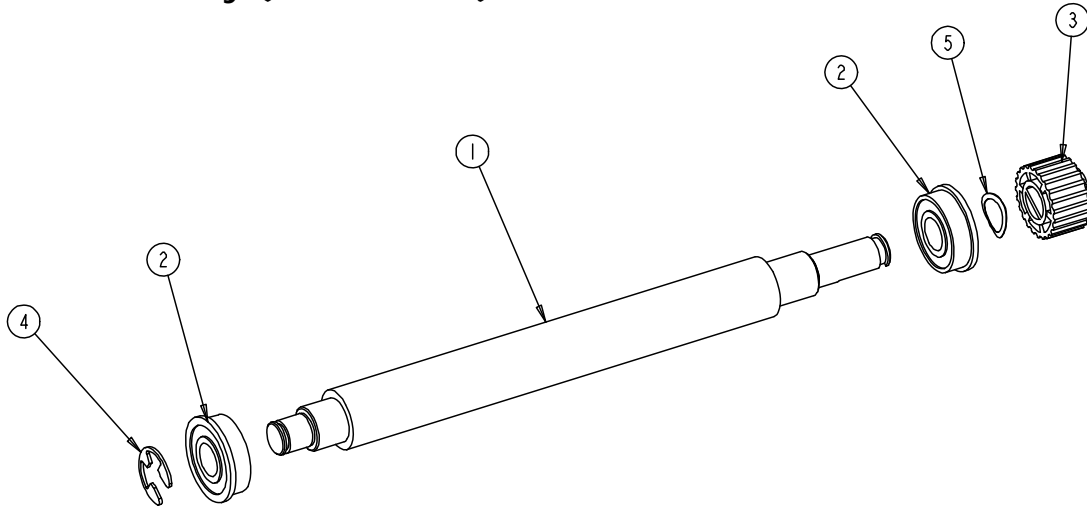
**Printhead Assembly (15-2977-11)**



**-11 VERSION**

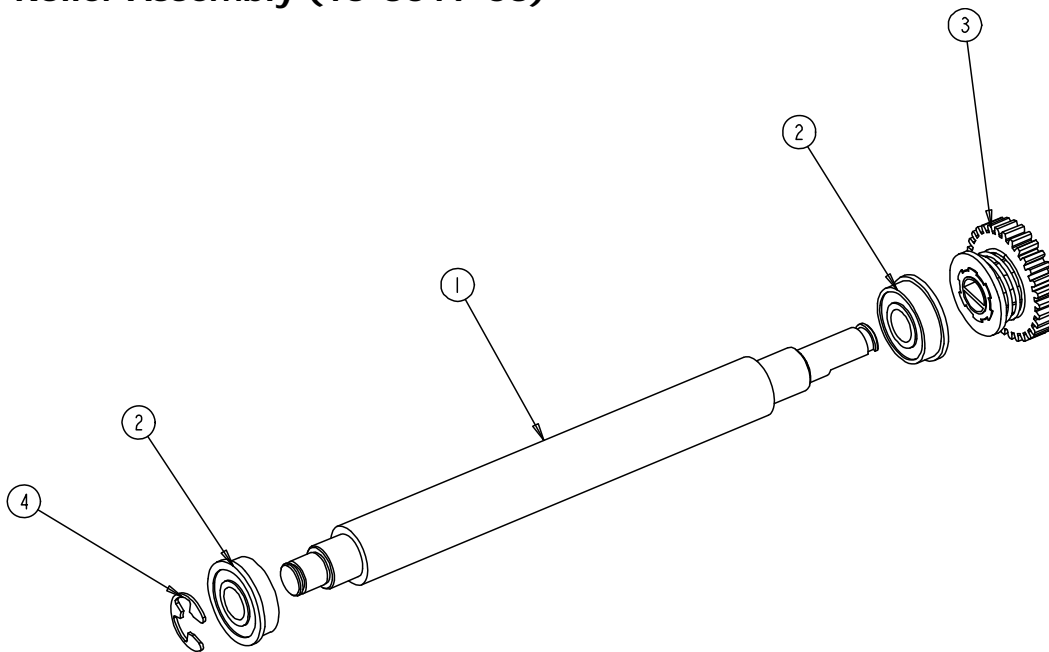
Item	Part Number	Description	Notes
1	15-3104-01	ASSY 4" LH PRINthead MOUNT ROHS	
2	12-3267-03	PIVOT 4" PRINthead ROHS	
3	12-3233-03	SHAFT PRINthead MOUNT ROHS	
4	12-3266-01	PLATE PRINthead ADAPTER ROHS	
5	DPO16-2906-01	(2PK) CAM NARROW MEDIA ROHS	
6	16-2907-01	KNOB NARROW MEDIA ROHS	
7	11-5552-01	SHIELD RIBBON ROHS	
8	DPO899349	(10PK) BEARING - FLANGED .312	
9	DPO17-3061-01	(2PK) SPRING COMP.30ODX.045WDX.44LG ROHS	
10	DPO10-3084-01	(10PK) WASHER WAVE .312 ID CRES	
11	DPO10-3084-02	(10PK) WASHER WAVE .505 ID CRES	
12	DPO10-3085-05	(25PK) SCRW SH CAP W/ LW M4 X 16 ROHS	
13	DPO10-3018-04	(25PK) WASHER FLAT #8 CRES	
14	DPO10-3085-06	(25PK) SCREW SOC HD CAP W/ LW M4 X 20	
16	DPO10-3085-02	(25PK) SCREW SOC HD CAP W/ LW M4 X 8	
17	DPO10-3015-43	(10PK) SCREW SHC M4X20 CRES W/LKG COMP	
18	32-2528-01	GROUND STRAP ROHS	

**Peel Roller Assembly (15-3019-02)**



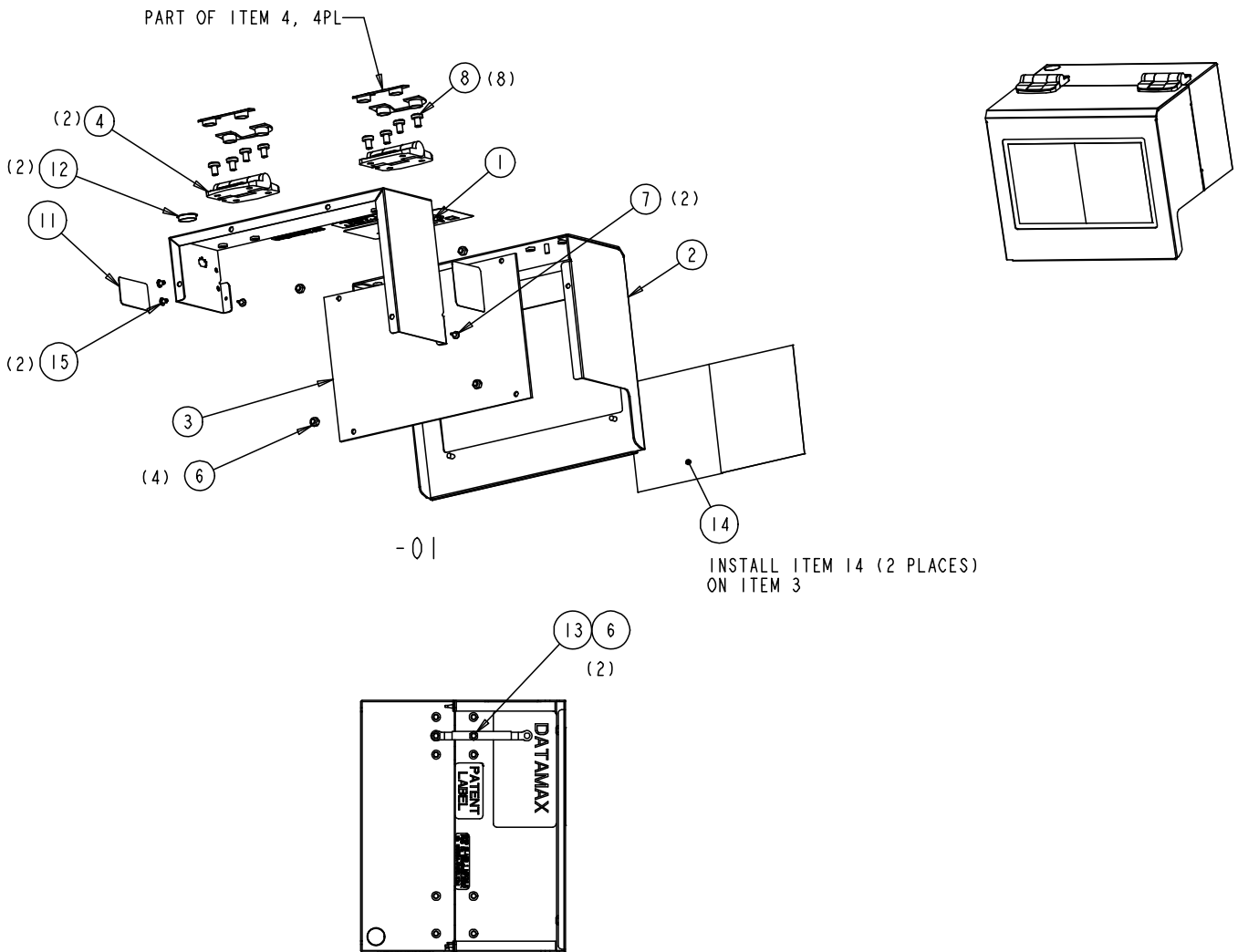
Item	Part Number	Description	Notes
1	13-2405-01	ROLLER PLATEN 4" ROHS	
2	17-3028-01	BEARING FLANGED 440C 3/8X7/8 ROHS	
3	DPO16-2904-01	(2PK) PULLEY TIMING 22 TEETH ROHS	
4	DPO10-3021-07	(25PK) E-RING 3/8 TRUARC CRES	
5	DPO10-3084-03	(5PK) WASHER WAVE .378 ID CRES ROHS	

**Take-up Roller Assembly (15-3019-03)**



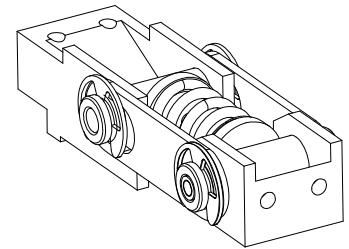
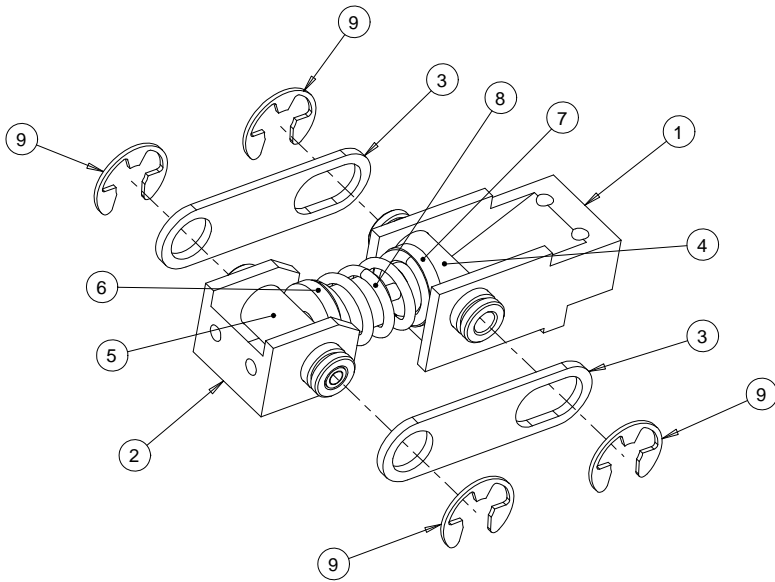
Item	Part Number	Description	Notes
1	13-2405-01	ROLLER PLATEN 4" ROHS	
2	17-3028-01	BEARING FLANGED 440C 3/8X7/8 ROHS	
3	15-3020-01	CLUTCH RIBBON TAKE-UP ROHS	
4	DPO10-3021-07	(25PK) E-RING 3/8 TRUARC CRES ROHS	

Cover Assembly (15-3021-11)



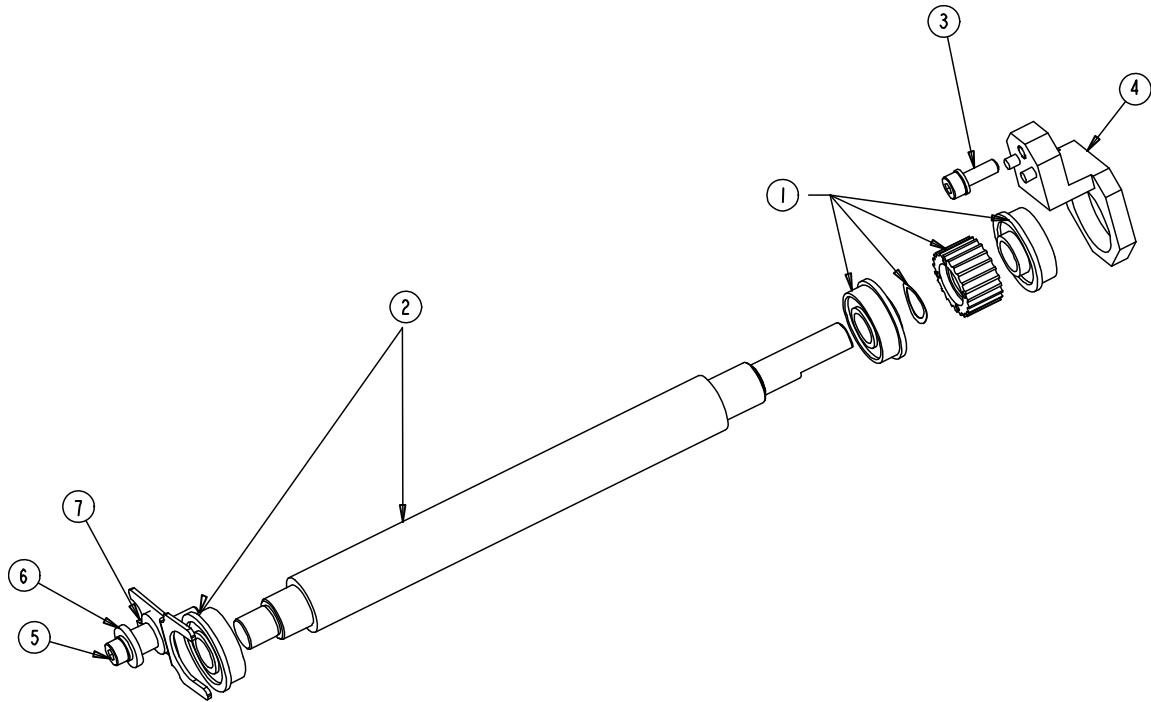
Item	Part Number	Description	Notes
1	11-5533-11	COVER INNER 4" LH ROHS	
2	11-5534-02	COVER OUTER LH ROHS	
3	16-2887-01	WINDOW ROHS	
4	17-3036-01	HINGE ROHS	
6	DPO10-3091-01	(50PK) NUT HEX SELF-LOCKING M4 CRES ROHS	
7	DPO13-2392-01	(10PK) BUMPER PULL THRU ROHS	
8	DPO10-3090-01	(50PK) SCREW PANHEAD M5 X 8 CRES ROHS	
11	14-2835-01	LABEL WARNING ROHS	
12	DPO17-3067-01	(25PK) PLUG 5/8 HOLE ROHS	
13	32-2553-01	GROUND CABLE A-CLASS COVER ROHS	
14	---	TAPE PROTECTIVE ROHS	
15	DPO17-3174-01	(10PK) RIVET NYLON SNAP .135" DIA	
---	78-2831-01	SENSOR OPEN COVER A-CLASS MKII	Not shown

**Printhead Pressure Assembly (15-3186-11)**



Item	Part Number	Description	Notes
1	12-3229-01	BRACKET PRESSURE LOWER ROHS	
2	12-3485-01	BRACKET PRESSURE UPPER	
3	11-5537-01	RETAINER PRINTHEAD PRESSURE ROHS	
4	12-3486-01	SHAFT PRINTHEAD PRESSURE	
5	15-3187-01	ASSY PIVOT PIN	
6	12-3353-01	SLIDE UPPER ROHS	
7	12-3354-01	SLIDE LOWER ROHS	
8	17-3160-01	SPRING COMPRESSION	
9	DPO10-3021-07	(25PK) E-RING 3/8 TRUARC CRES ROHS	

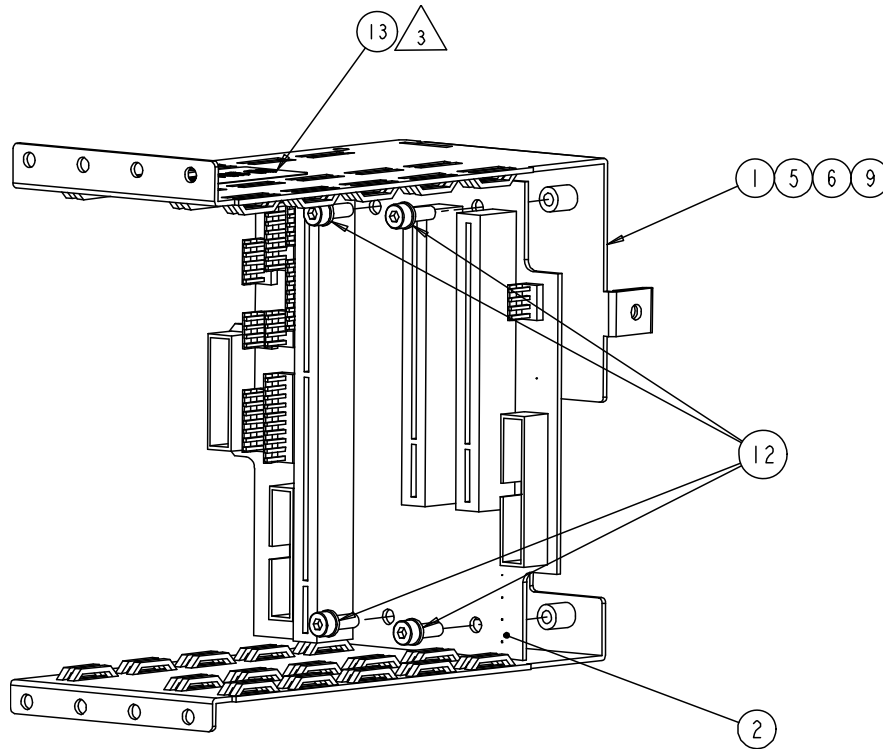
Platen Roller Removable (15-3215-11)



Item	Part Number	Description	Notes
1	15-3218-01	G2 PLATEN PULLEY ASSY	
2	15-3219-01	G2 REMOVABLE PLATEN ROLLER & OUTER BEARING 4"	
3	DPO10-3085-14	(25PK) SCRW SHC W/ LK COMP M4 X 12	
4	12-3491-01	G2 BLOCK BEARING MTG	
5	DPO10-3085-07	(25PK) SCRW SH CAP W/ LW M4 X 25 ROHS	
6	12-3501-01	G2 POST LATCH	
7	11-5783-01	G2 BRACKET BEARING RETAINER	

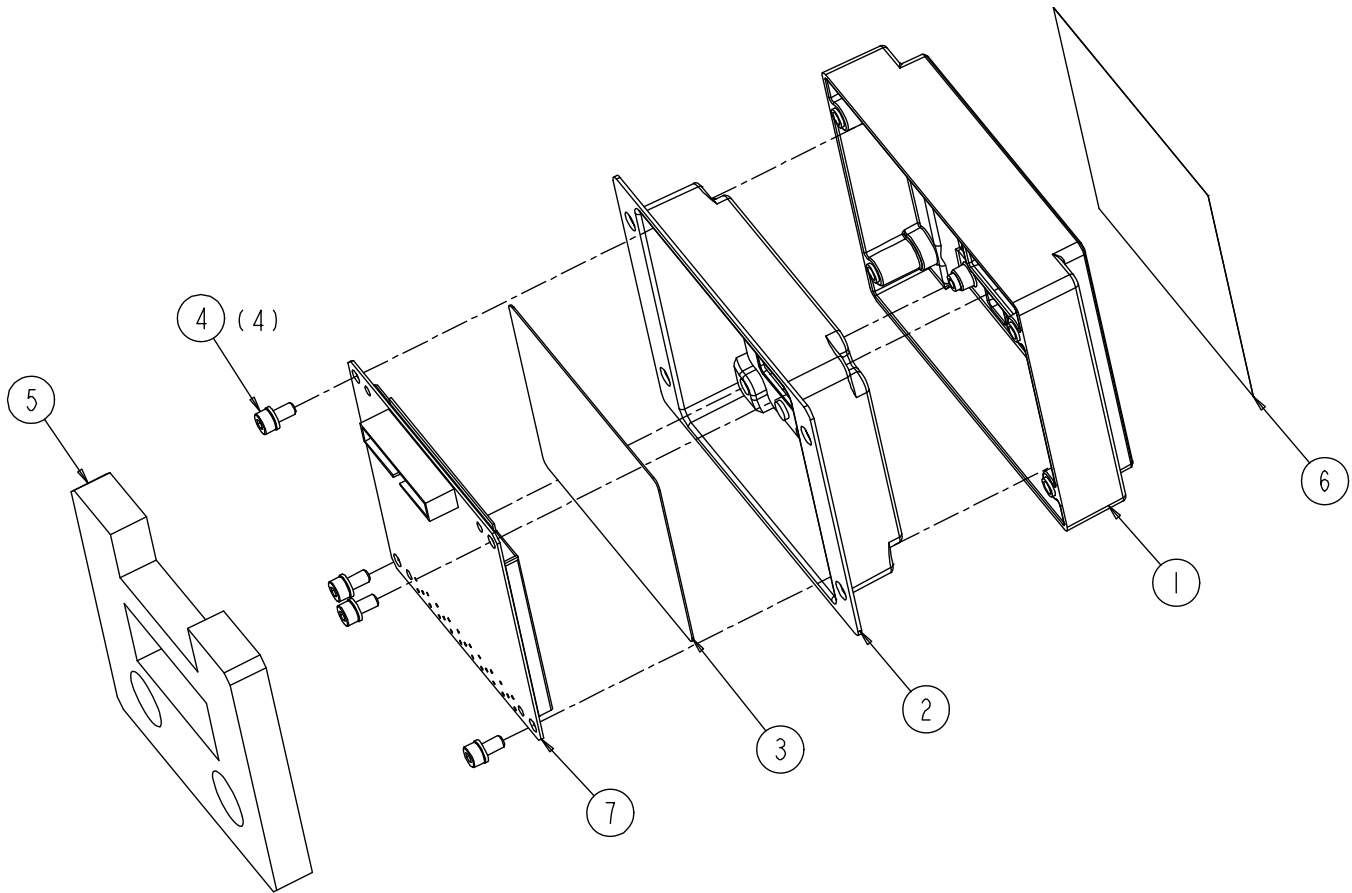


Card Cage Assembly (24-2685-XX)



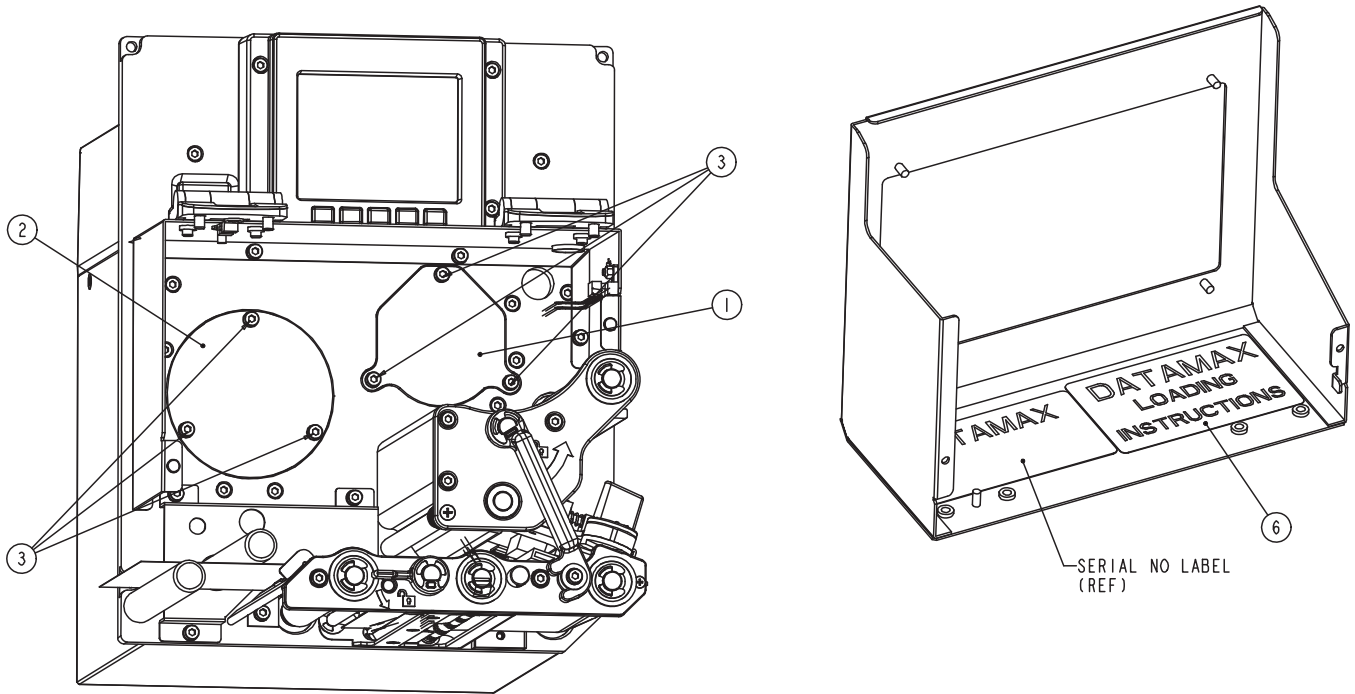
Item	Part Number	Description	Notes
1	11-5682-02	CARD CAGE ROHS	
2	---	A-CLASS G2 BACKPLANE REMOTE READY	Available as part of whole assembly 24-2685-02
	---	A-CLASS G2 BACKPLANE NON REM. RDY.	Available as part of whole assembly 24-2685-01
5	32-2530-01	CABLE ASSY BACK PLANE PWR ROHS	Not shown
6	32-2531-01	CABLE ASSY MOTOR CONTROL ROHS	Not shown
9	32-2540-01	CABLE ASSY. GRAPHICS DISPLAY ROHS	Not shown
	32-2646-01	CABLE ASSY GRAPHICS & REMOTE DISPLAY ROHS	Not shown
12	DPO10-3085-04	(25PK) SCREW SOC HD CAP W/ LW M4 X 12 ROHS	
13	---	LABEL CARD CAGE UL ROHS	
---	DPO10-2626-01	REMOTE READY DISPLAY ONLY – (50PK) SCRW JACK .19 X .19L 4-40THD ROHS	Quantity 2, not shown
---	DPO140028	REMOTE READY DISPLAY ONLY – (50PK) NUT HEX 4-40 W/ TOOTH KEPS ROHS	Quantity 2, not shown

Display Assembly (24-2691-01)



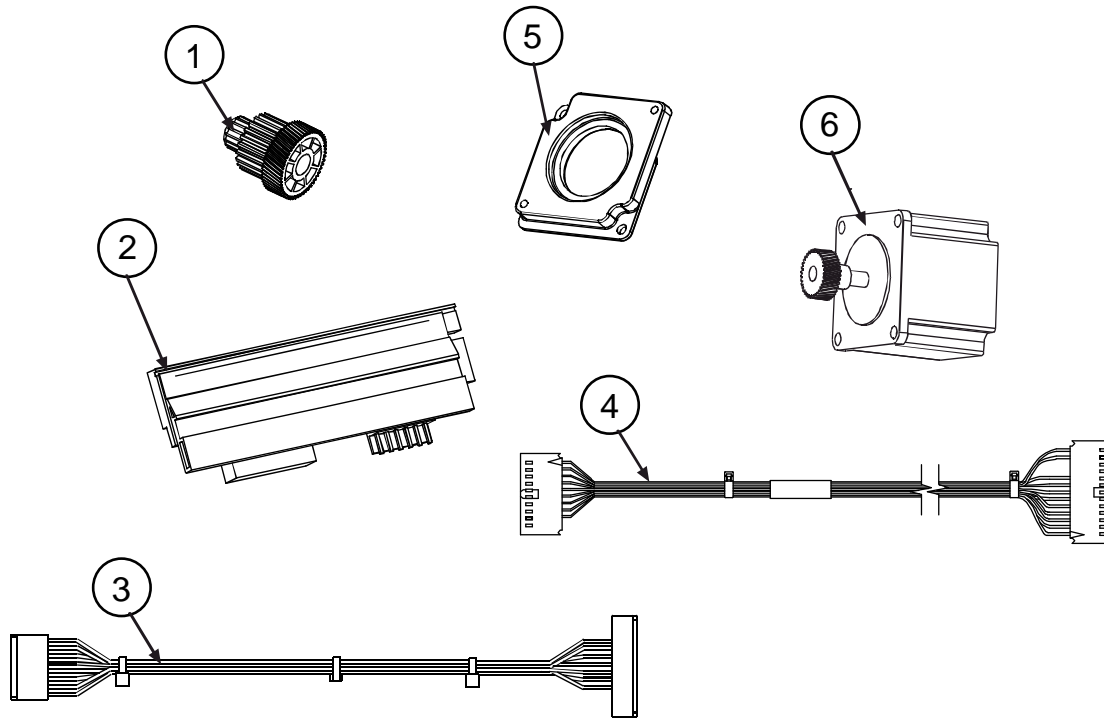
Item	Part Number	Description	Notes
1	12-3270-01	BEZEL DISPLAY ROHS	
2	16-2916-01	KEYPAD 5 BUTTON ROHS	
3	16-2961-01	COVER LCD ROHS	
4	DPO10-3085-02	(25PK) SCRW SH CAP W/ LW M4 X 8 ROHS	
5	DPO13-2425-01	(5PK) FILLER CONTROL PANEL BOOT ROHS	
6	---	TAPE PROTECTIVE ROHS	
7	45-2028-01	A-CLASS G2 DISPLAY 320X240 ALIKEH	

Direct Thermal (78-2474-01)



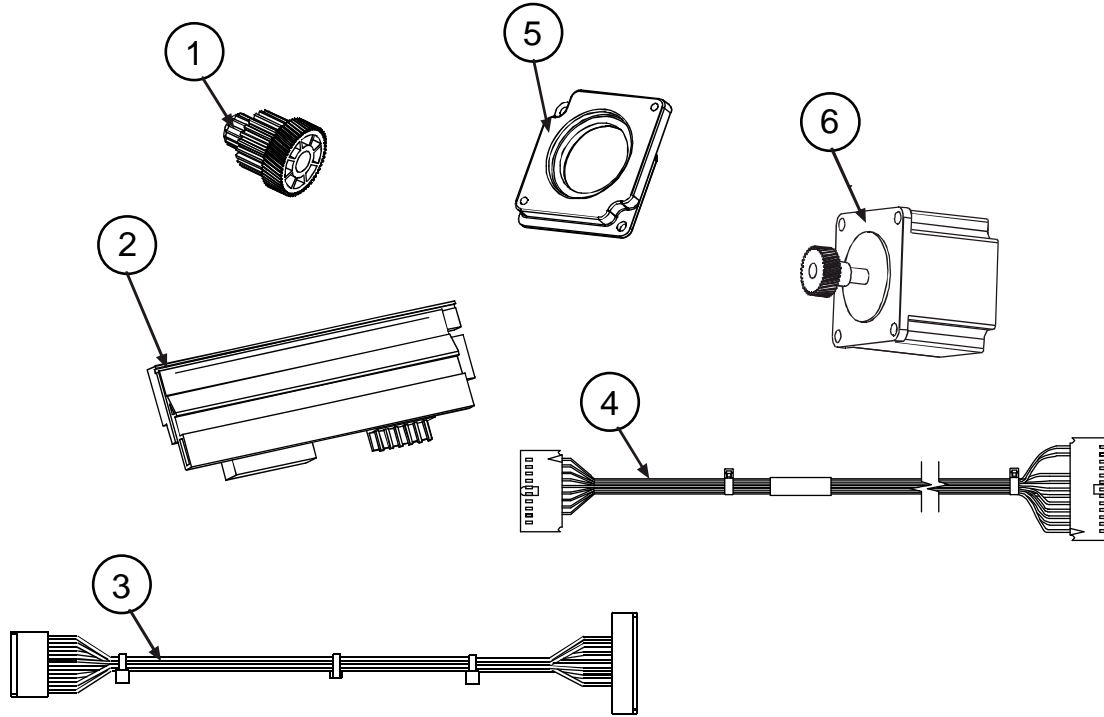
Item	Part Number	Description	Notes
1	11-5584-01	COVER RIBBON TAKE-UP ROHS	
2	11-5585-01	COVER RIBBON SUPPLY ROHS	
3	DPO10-3085-02	(25PK) SCREW SOC HD CAP W/ LW M4 X 8 ROHS	
6	14-2872-03	LABEL LINERLESS LOADING DT ROHS	

Printhead / Pulley Kit, 203DPI



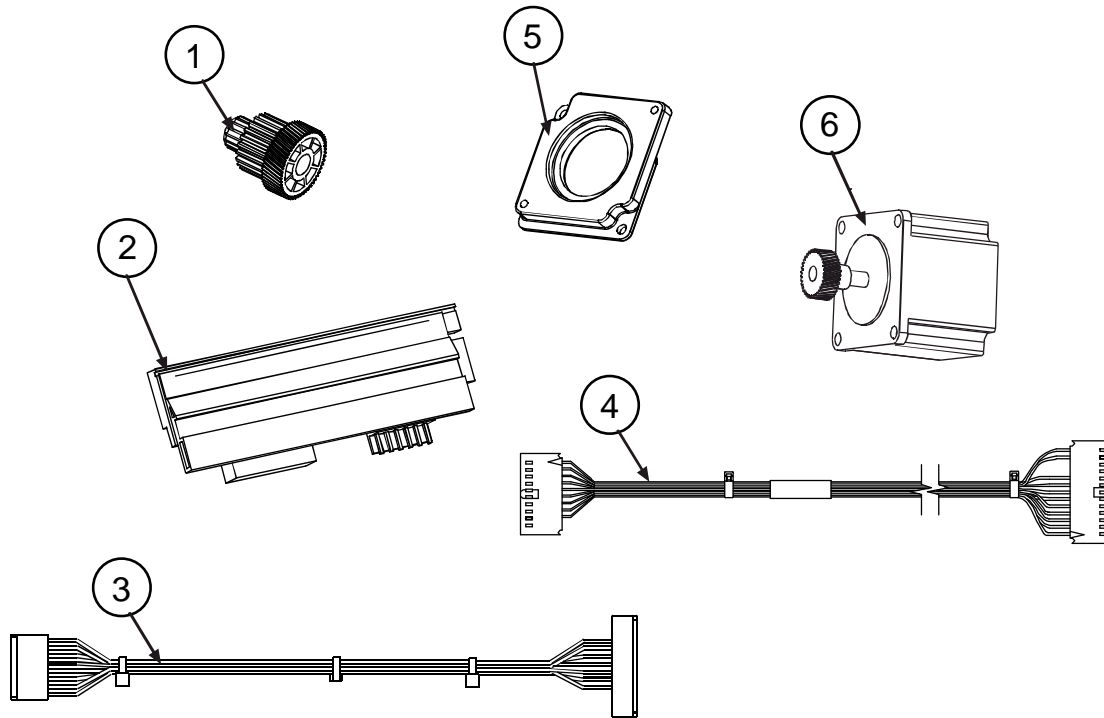
Item	Part Number	Description	Notes
1	15-3117-01	PULLEY COMPOUND 203DPI, ROHS	
2	PHD20-2240-01	PRINthead 203DPI, 4" SMART, ROHS	
3	32-2532-01	CABLE ASSY 4" PRINthead PWR, ROHS	
4	32-2590-02	ASSY, CBL PRINthead DATA 4", ROHS	
5	12-3384-02	SPACER MOTOR MOUNTING ROHS	
6	24-2543-03	STEPPER MOTOR ASSEMBLY, ROHS	
---	DPO10-3085-04	SCRW SH CAP W/ LW M4 X 12 ROHS	Quantity 4, not shown

Printhead / Pulley Kit, 300 DPI



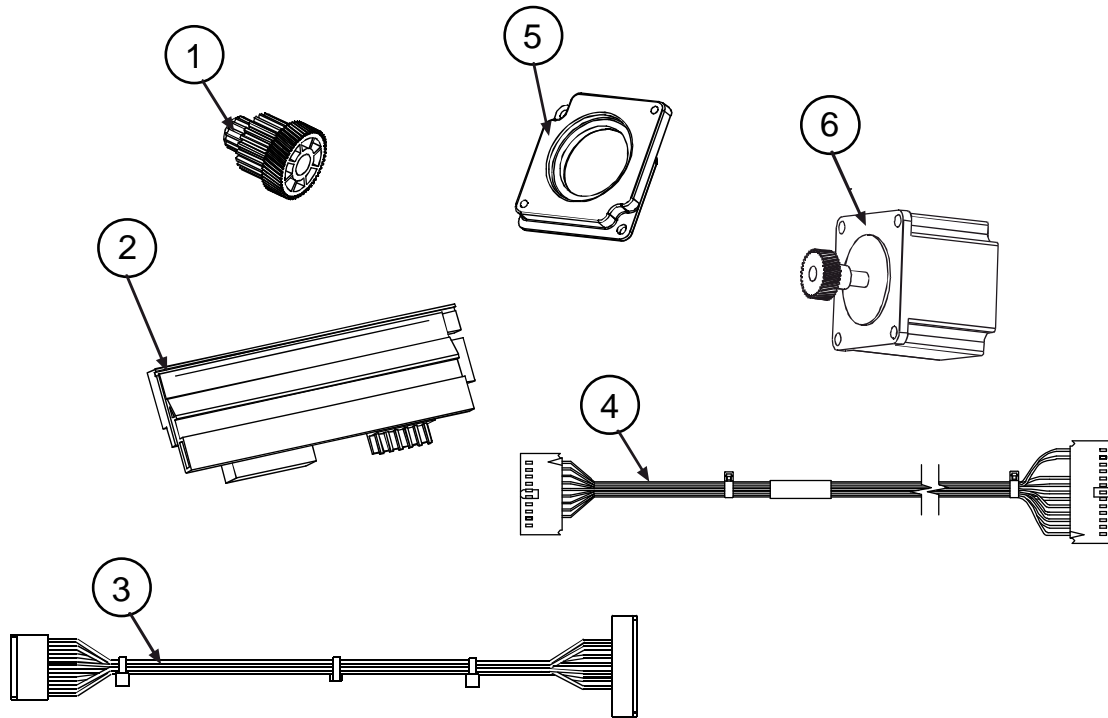
Item	Part Number	Description	Notes
1	15-3118-01	GEAR COMPOUND 300DPI, ROHS	
2	PHD20-2241-01	PRINthead 300DPI, 4" SMART, ROHS	
3	32-2532-01	CABLE ASSY 4" PRINthead PWR, ROHS	
4	32-2590-02	ASSY, CBL PRINthead DATA 4", ROHS	
5	12-3370-01	SPACER MOTOR MOUNTING, ROHS	
6	24-2543-02	STEPPER MOTOR ASSEMBLY, ROHS	
---	DPO10-3085-06	(25PK) SCRW, SH CAP W/LW, M4 X 20, ROHS	Quantity 2, not shown

Printhead / Pulley Kit, 406DPI



Item	Part Number	Description	Notes
1	15-3117-01	PULLEY COMPOUND 203DPI	
2	PHD20-2242-01	PRINthead 400DPI, 4" SMART, ROHS	
3	32-2532-01	CABLE ASSY 4" PRINthead PWR, ROHS	
4	32-2590-02	ASSY, CBL PRINthead DATA 4", ROHS	
5	12-3384-02	SPACER MOTOR MOUNTING ROHS	
6	24-2543-03	STEPPER MOTOR ASSEMBLY, ROHS	
---	DPO10-3085-04	(25PK) SCRw, SH CAP W/LW, M4 X 12, ROHS	Quantity 4, not shown

Printhead / Pulley Kit, 600 DPI



Item	Part Number	Description	Notes
1	15-3118-01	GEAR COMPOUND 300DPI, ROHS	
2	PHD20-2243-01	PRINTHEAD 600DPI, 4" SMART, ROHS	
3	32-2532-01	CABLE ASSY 4" PRINTHEAD PWR, ROHS	
4	32-2590-02	ASSY, CBL PRINTHEAD DATA 4", ROHS	
5	12-3370-01	SPACER MOTOR MOUNTING, ROHS	
6	24-2543-02	STEPPER MOTOR ASSEMBLY, ROHS	
---	DPO10-3085-06	(25PK) SCRW, SH CAP W/LW, M4 X 20, ROHS	Quantity 2, not shown



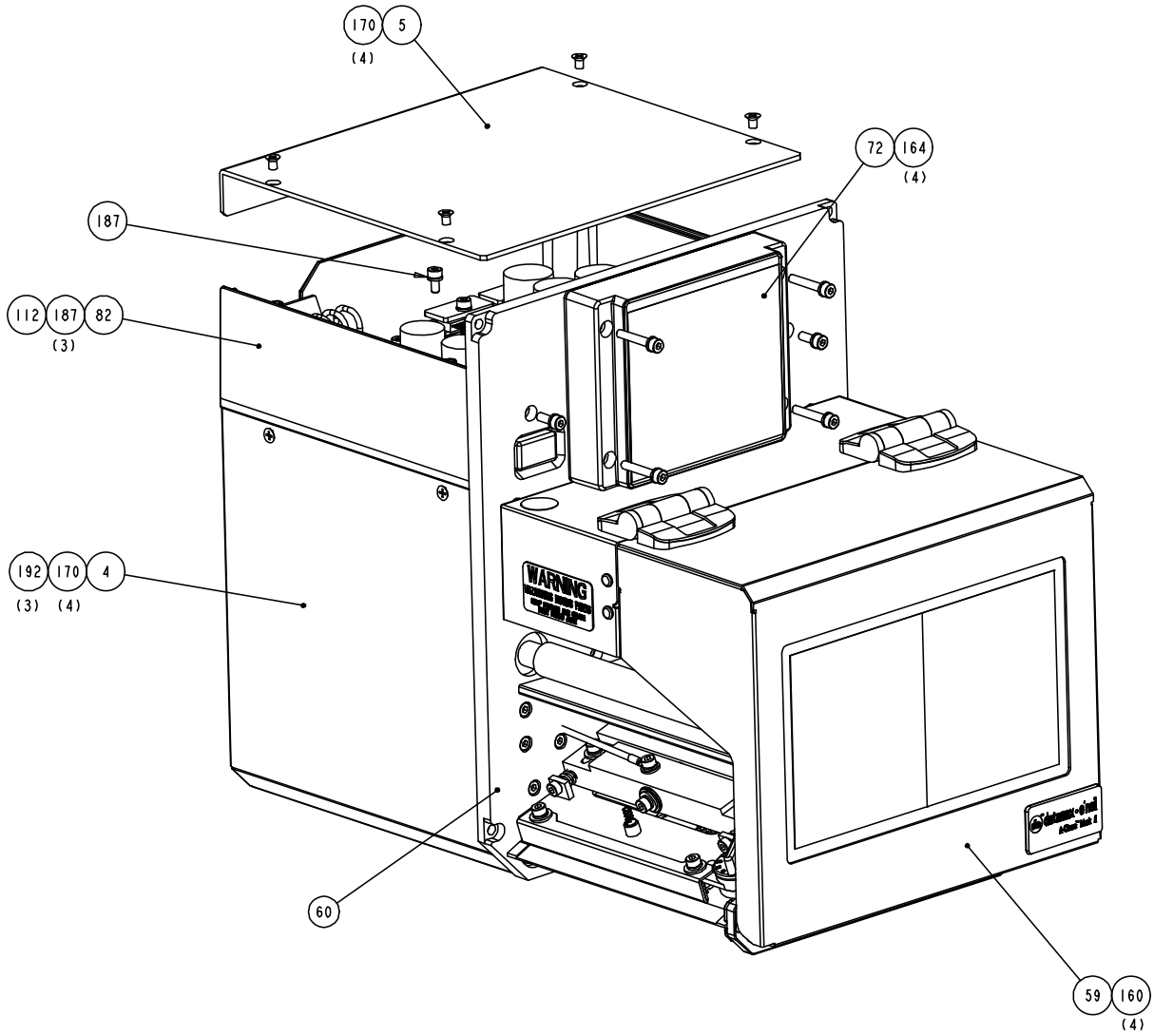


## **Six-Inch Left Hand Printer Assemblies:**

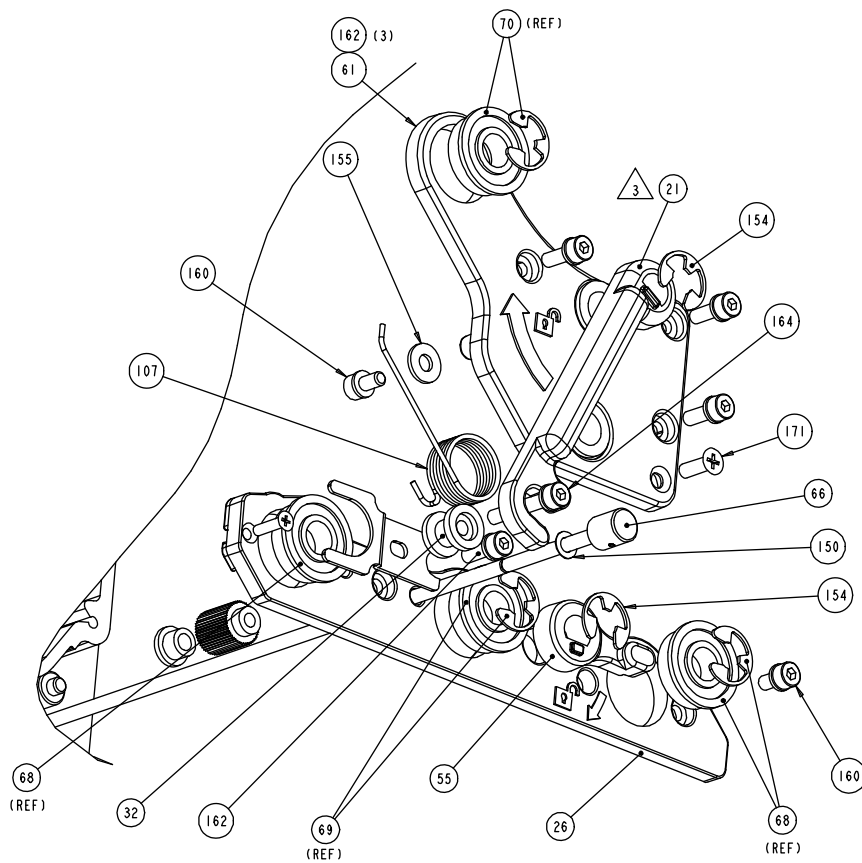
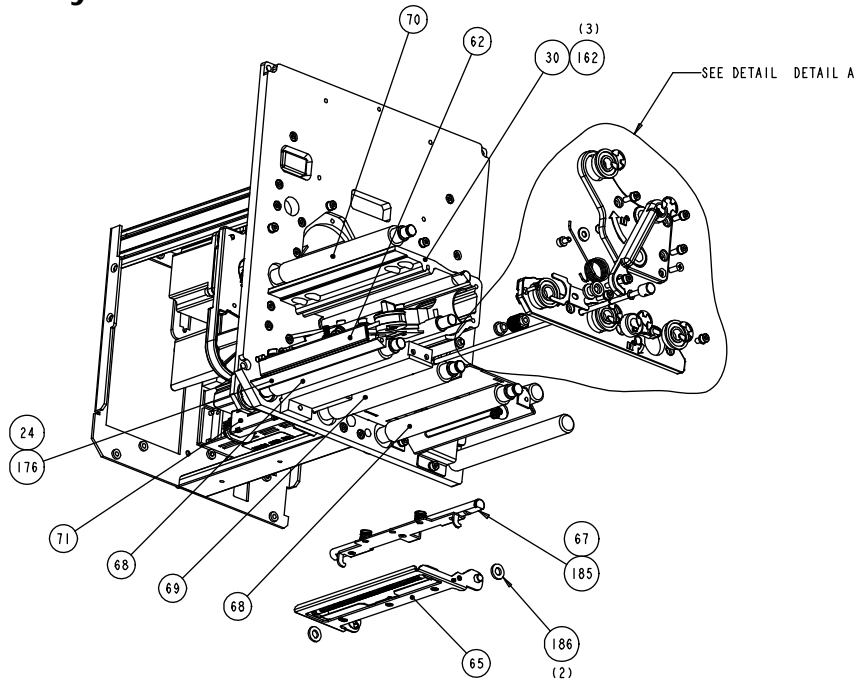
**A-6212 Mark II**

**A-6310 Mark II**

Printer Assembly 1 of 6

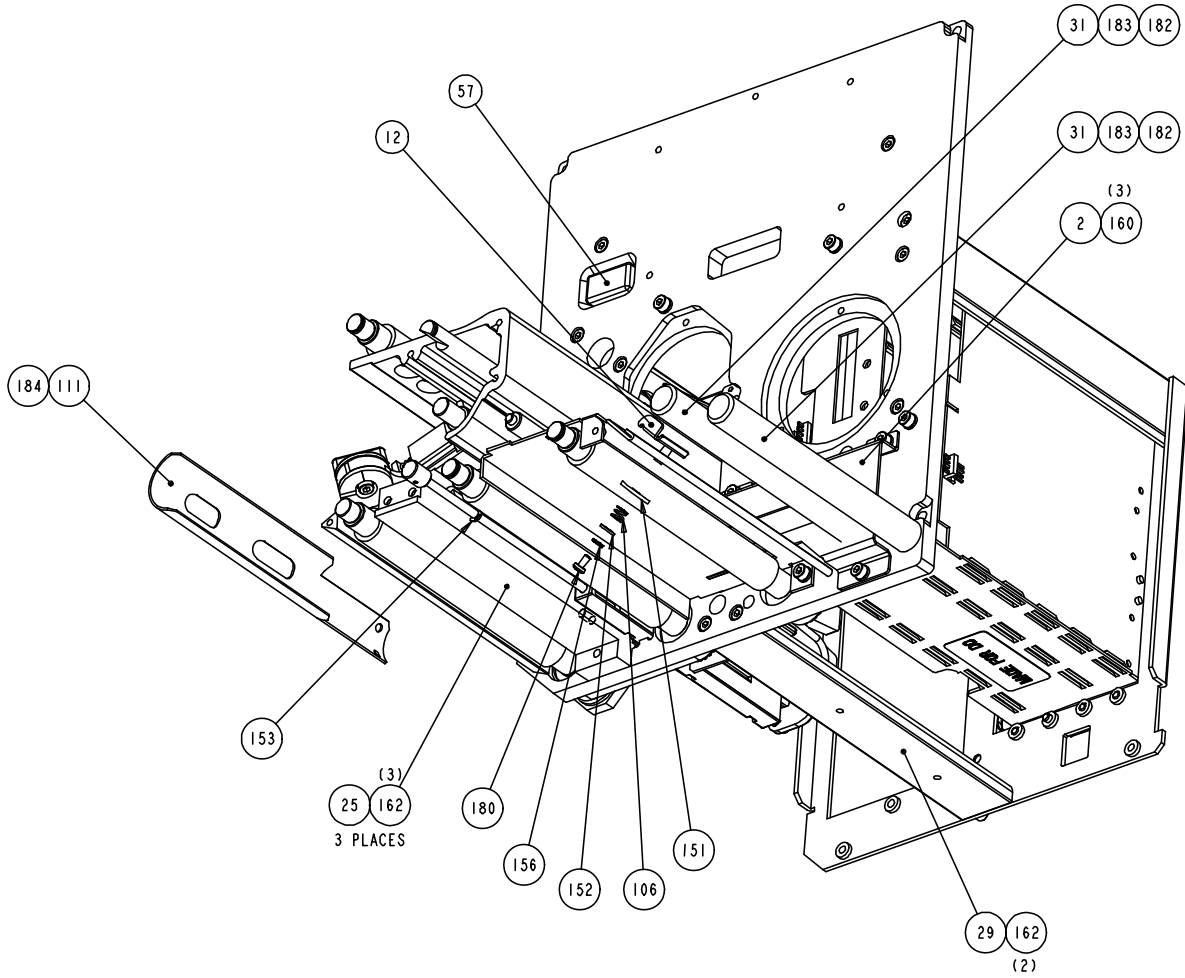


Printer Assembly 2 of 6

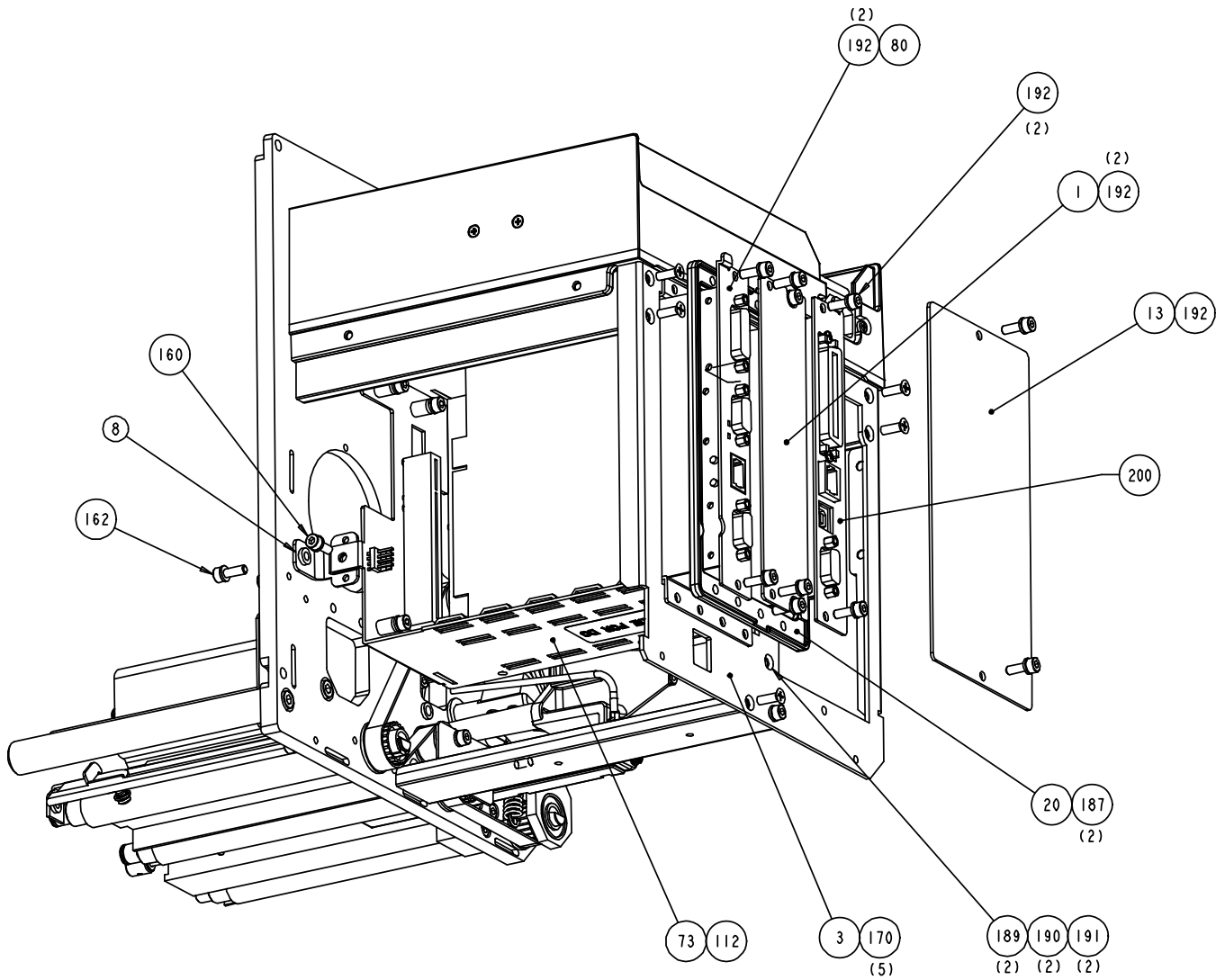


DETAIL DETAIL A  
SCALE 1.500

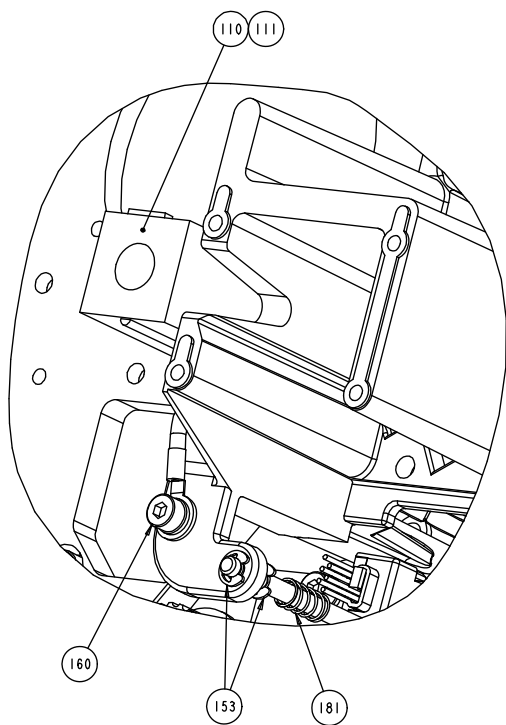
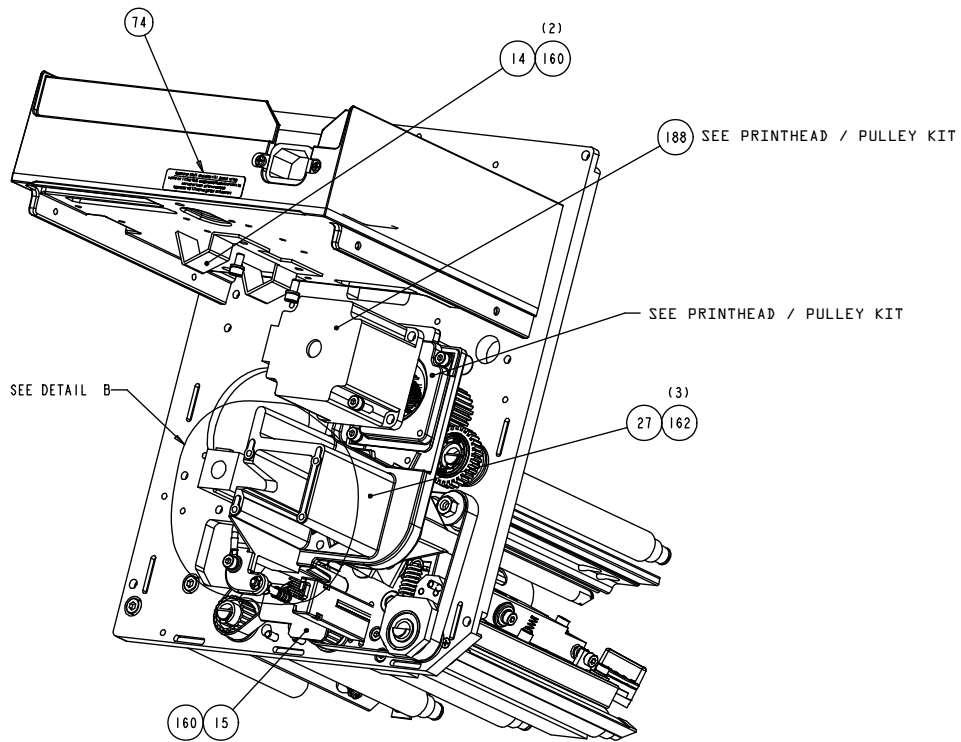
Printer Assembly 3 of 6



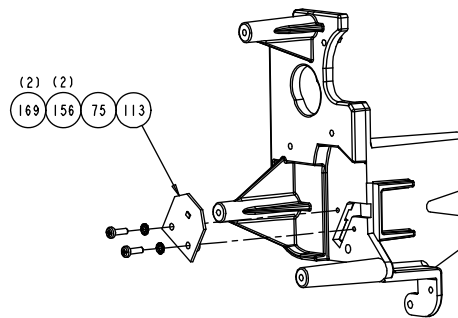
Printer Assembly 4 of 6



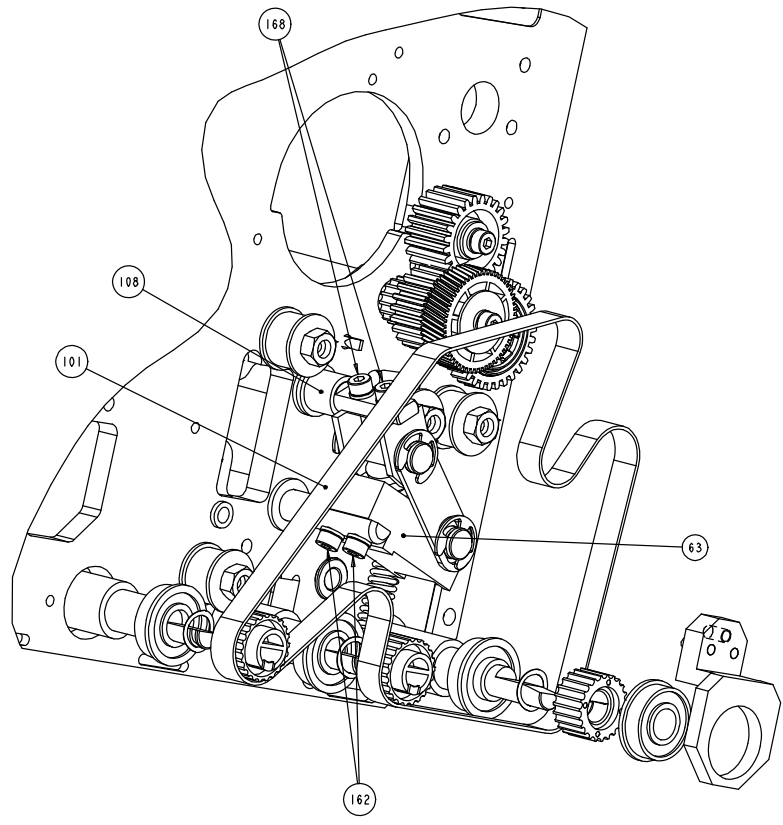
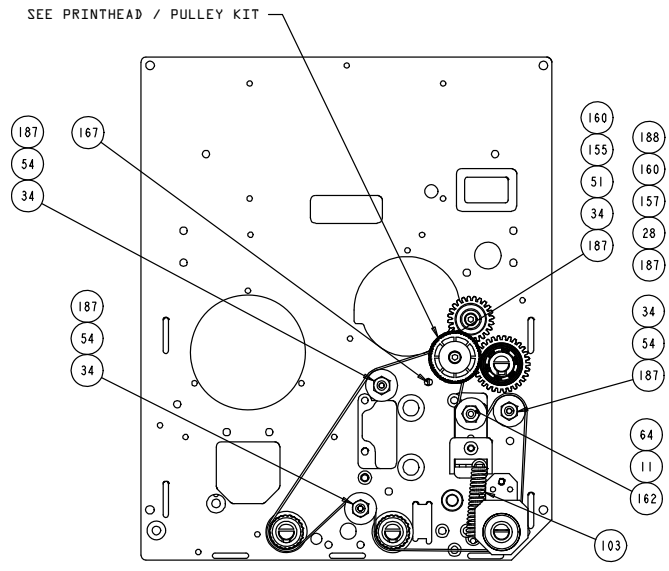
Printer Assembly 5 of 6



DETAIL B  
SCALE 2.000



### Printer Assembly 6 of 6



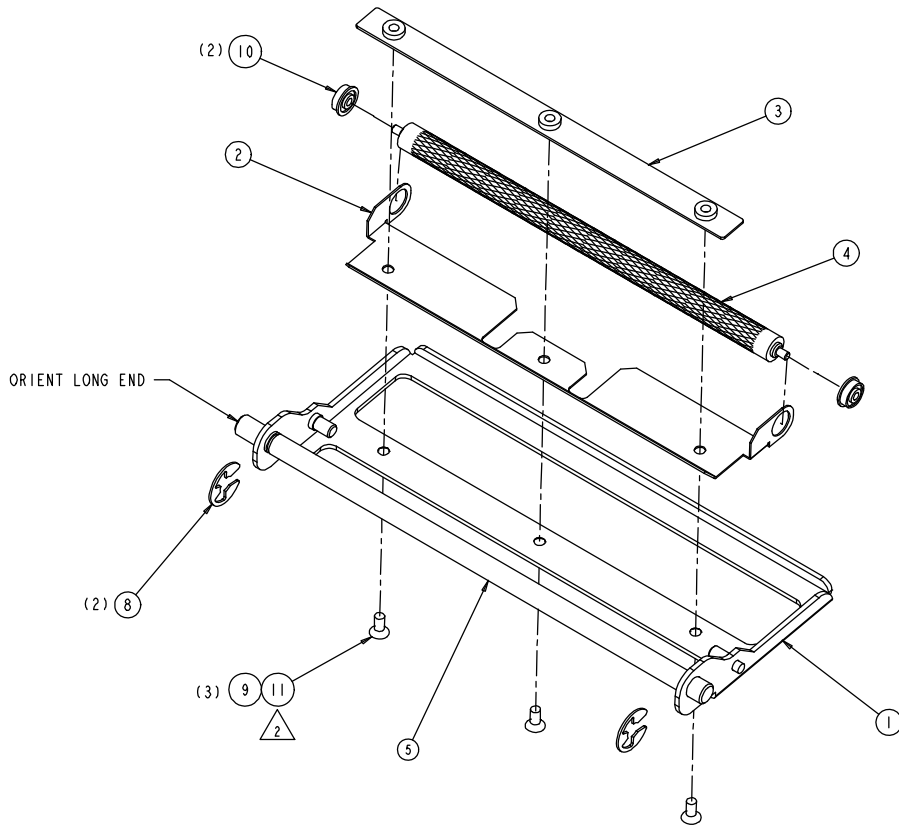
SCALE 1.500

Item	Part Number	Description	Notes
1	11-5279-01	PLATE COVER EXPANSION ROHS	
	11-5771-01	PLATE REAR WIRELESS ONLY	See option
2	11-5790-02	G2 GUIDE MEDIA LH W/PINCH ROLLER	
3	11-5780-02	G2 PLATE REAR MEMORY CARD LH	
4	11-5786-02	G2 COVER REAR W/O MEMORY CARD LH	
	11-5779-02	G2 COVER REAR WITH MEMORY CARD LH	
5	11-5531-01	COVER TOP ROHS	
6	11-5791-12	G2 PLATE LOWR 6" LH W/PINCH ROL PIN	
8	11-5577-01	SUPPORT CARD CAGE ROHS	
11	11-5570-01	PLATE NUT ROHS	
12	11-5536-02	GUIDE MEDIA ADJUSTABLE LH ROHS	
13	11-5427-01	PLATE COVER ROHS	
	11-5785-01	G2 PLATE COVER REMOTE DISPLAY	See assembly details
14	11-5602-01	BRACKET RETAINER CABLE ROHS	
15	11-5603-01	COVER CABLE ROHS	
20	12-3342-01	PLATE MOUNTING CARD CAGE ROHS	
21	12-3255-02	HANDLE LATCH LH ROHS	
22	12-3052-03	SHAFT RIBBON IDLER ROHS	
23	12-3217-02	SHAFT LATCH PRINthead 6" ROHS	
24	12-3488-02	BAR PEEL 6" ROHS	
25	12-3244-02	BLOCK SUPPORT PLATEN 6" ROHS	
26	12-3214-02	PLATE SIDE LOWER LH ROHS	
	12-3498-02	G2 PLATE SIDE LWR LH WITH PINCH ROLLER	
27	12-3286-02	BRACKET SUPPORT MOTOR LH ROHS	
28	12-3432-01	POST IDLER ROHS	
29	12-3221-01	BLOCK SUPPORT REAR ROHS	
30	12-3215-02	SUPPORT CENTER ROHS	
31	12-3254-02	POST MEDIA 6" ROHS	
32	12-3221-02	G2 BLOCK SUPPORT REAR W/MEMRY CARD	
33	DPO12-3051-01	(5PK) CAM IDLER RIBBON ROHS	
34	12-3219-01	POST ILDER ROHS	
51	DPO16-2935-01	(2PK) GEAR IDLER ROHS	
54	15-3119-01	PULLEY ASSEMBLY ROHS	
55	16-2924-04	HANDLE LATCH ROHS	
57	DPO16-2950-01	(5PK) COVER SWITCH - PROTECTIVE ROHS	
59	15-3021-12	COVER ASSEMBLY 6" LH ROHS	
60	15-3220-02	G2 CENTERPLATE ASSEMBLY LH	
61	15-3015-02	UPPER SIDE PLATE ASSY LH ROHS	
62	15-2977-12	ASSY 6" LH PRINthead ROHS	See assembly details
63	15-3186-12	PH PRESS ASSY 6" LH ROHS	See assembly details
64	15-2970-01	TENSION ASSY ROHS	
65	15-2974-12	LOWER PINCH ROLLER ASSY 6" LH ROHS	See assembly details
66	15-2976-02	ASSY THREADED ROD ROHS	
67	15-2975-12	G2 LH 6" LATCH ASSEMBLY ROHS	See assembly details
68	15-3215-12	G2 LH REMOVABLE PLATEN ROLLER ASSY 6"	See assembly details
69	15-3019-12	PLATEN ROLLER ASSY 6" PEEL ROHS	See assembly details
70	15-3019-13	PLATEN ROLLER ASSY 6" TAKE-UP ROHS	See assembly details
71	DPO24-2604-01	(2PK) MEDIA SENSOR ASSEMBLY ROHS	
72	24-2691-01	G2 DISPLAY ASSEMBLY ROHS	See assembly details



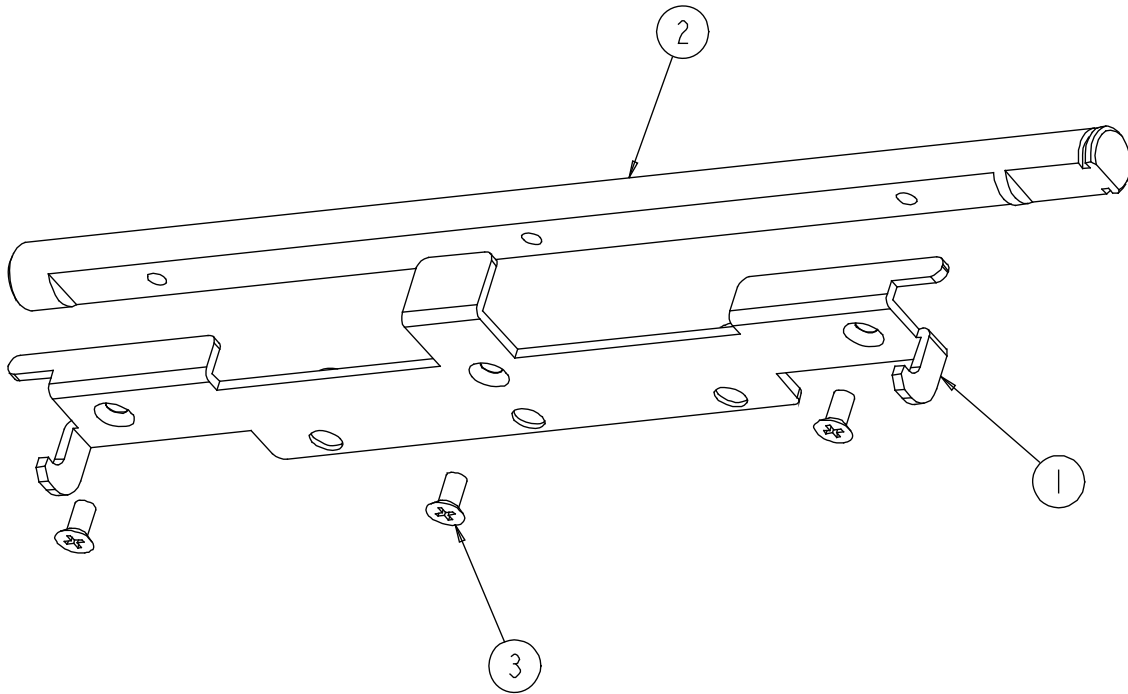
Item	Part Number	Description	Notes
73	24-2685-01	G2 CARD CAGE ASSY NON-REMOTE	See assembly details
	24-2685-02	G2 CARD CAGE ASSY REMOTE READY	See assembly details
74	---	EARTHED SOCKET-OUTLET LABEL COMPACT	
75	51-2434-00	CCA HEAD HOME HALL EFF. ROHS	
80	DPO51-2404-10	(1/PK) CCA,APPLICATOR	
82	24-2617-01	POWER SUPPLY ASSEMBLY ROHS	
101	17-2987-01	BELT TIMING 184 T 3MM HTD ROHS	
103	17-3094-01	SPRING EXTENSION ROHS	
105	DPO17-2816-01	(10PK) BUSHING FLAN .1895X.314X1/4L ROHS	
106	DPO17-3064-01	(5PK) SPRING COMP.24ODX.032WDX.375 ROHS	
107	17-3078-02	SPRING TORSION LH 6" ROHS	
108	DPO17-3011-01	(10PK) BUSHING FLANGED ROHS	
109	DPO17-3067-01	(25PK) PLUG 5/8 HOLE ROHS	
110	DPO44-2060-01	(2PK) ASSY FERRITE ROHS	
111	---	TYWRAP 8" ROHS	
112	---	TIE TWIST LOCK ROHS	
113	---	TYWRAP 4" ROHS	
150	DPO899325	(50PK) SPACER ROHS	
151	DPO10-3152-01	(5PK) WASHER FLAT .175 IDX.626 OD X.062T	
152	DPO10-2518-01	(50PK) WASHER FLAT SS ROHS	
153	DPO10-3021-03	(25PK) RING RETAINING 5/32 CRES ROHS	
154	DPO10-3021-07	(25PK) E-RING 3/8 TRUARC CRES ROHS	
155	DPO10-3018-04	(25PK) WASHER FLAT #8 CRES ROHS	
156	DPO10-3093-01	(25PK) WASHER M3 EXT TOOTH LOCK CRES	
157	DPO10-3136-01	(5PK) WASH FLT .172ID X .75OD X .04 ROHS	
160	DPO10-3085-02	(25PK) SCREW SOC HD CAP W/ LW M4 X 8 ROHS	
162	DPO10-3085-04	(25PK) SCREW SOC HD CAP W/ LW M4 X 12 ROHS	
164	DPO10-3085-07	(25PK) SCREW SOC HD CAP W/ LW M4 X 25 ROHS	
167	DPO17-2962-01	(50PK) CLIP ARROW ROHS	
168	DPO10-3085-03	(25PK) SCREW SOC HD CAP W/ LW M4 X 10 ROHS	
169	DPO10-3092-03	(50PK) SCREW PHP M3 X 10MM CRES	
170	DPO10-3066-01	(25PK) SCREW FLAT HEAD SS M4 X 6 ROHS	
171	DPO10-3066-04	(25PK) SCREW FLAT HEAD SS M4 X 12 ROHS	
175	DPO10-3088-04	(25PK) SCREW FLATHEAD CRES M3 X 12 ROHS	
176	DPO10-3088-05	(25PK) SCREW FLATHEAD CRES M3 X 14 ROHS	
180	DPO10-3092-01	(25PK) SCREW PHP M3 X 6MM CRES	
181	DPO17-3046-01	(5PK) SPRING COMPRESSION ROHS	
182	DPO10-3096-03	(50PK) WASHER SPLIT LOCK M5 CRES	
183	DPO10-3097-01	(20PK) SCREW SOCKET HD SET M5 X 12 CRES	
184	13-2422-02	RETAINER PRINT HD CABLE ROHS	
185	DPO17-3065-01	(2PK) SPRING COMP .36ODX.035WDX.75 ROHS	
186	DPO10-3105-01	(50PK) WASHER FLAT .44 ODX .26 IDX.047THK	
187	DPO10-3085-14	(25PK) SCREW SHC W/ LK COMP M4 X 12 ROHS	
188	---	GREASE SILCONE ROHS	
189	DPO10-3066-03	(50PK) SCREW FLAT HEAD SS M4 X 10 ROHS	
190	DPO10-3019-04	(50PK) WASHER SPLIT LOCK #8 CRES ROHS	
191	DPO10-3016-02	(50PK) NUT HEX M4 SS ROHS	
192	DPO10-3085-24	(5PK) SCRW SHC W/ VIBRA-TITE M4 X 12 ROHS	
200	DPO78-2802-01	CCA MAIN W/LAN ROHS	

Lower Pinch Roller Assembly (15-2974-12)



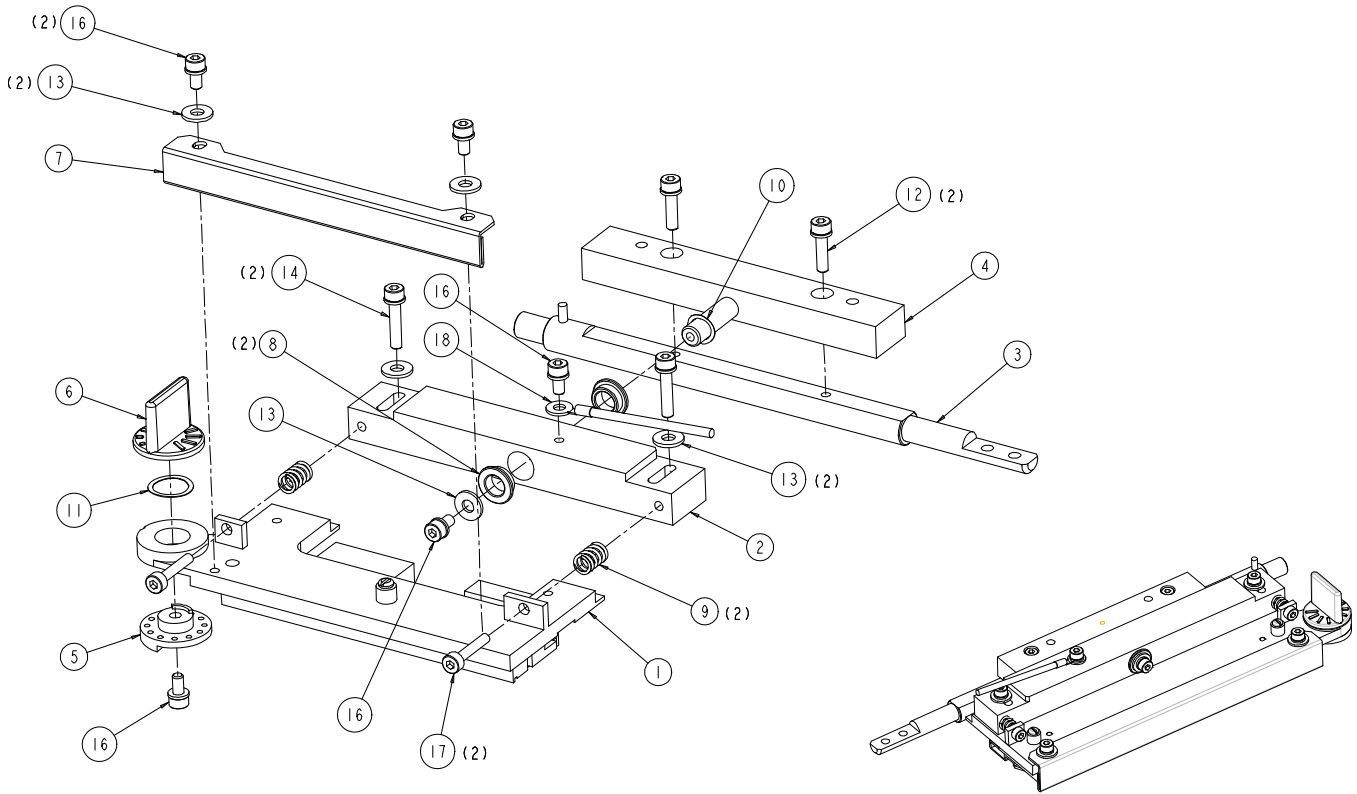
Item	Part Number	Description	Notes
1	15-3183-02	ASSY 6" PINCH ROLLER FRAME ROHS	
2	11-5256-02	SPRING FLAT ROHS	
3	11-5599-02	SCREW PLATE 6" ROHS	
4	12-3295-02	ROLLER PINCH 6" ROHS	
5	12-2574-02	SHAFT HINGE ROHS	
8	DPO10-3021-05	(20PK) E-RING 1/4 TRUARC CRES ROHS	
9	DPO10-3088-07	(25PK) SCREW FLATHEAD CRES M3 X 5 ROHS	
10	17-2856-01	BEARING BALL FL .0937 X .3125 ROHS	
11	---	LOCTITE 242 ROHS	

Latch Assembly (15-2975-12)



Item	Part Number	Description	Notes
1	11-5578-02	LATCH 6" ROHS	
2	12-3280-02	SHAFT LATCH PIVOT ROHS	
3	DPO10-3088-01	(25PK) SCREW FLATHEAD CRES M3 X 6 ROHS	

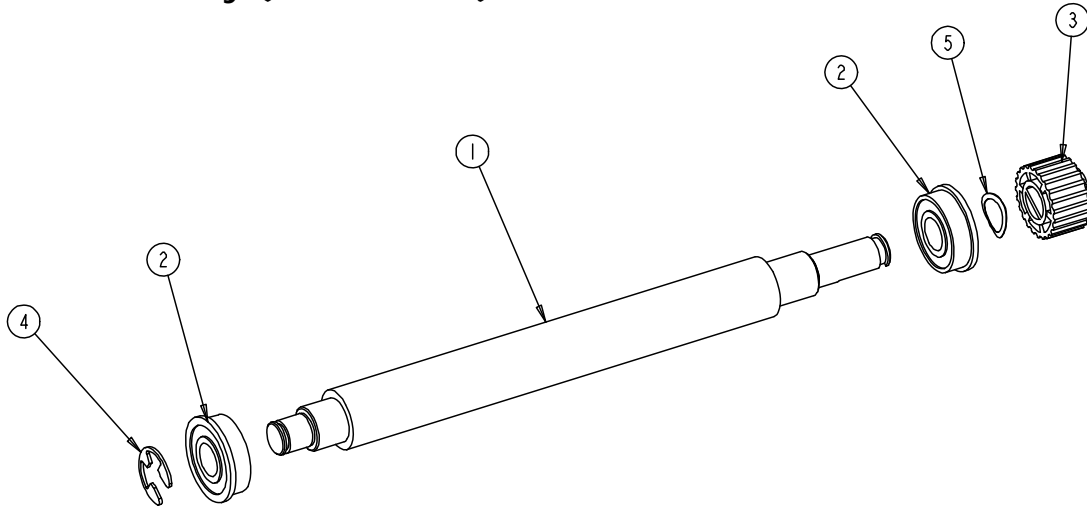
Printhead Assembly (15-2977-12)



-12 VERSION

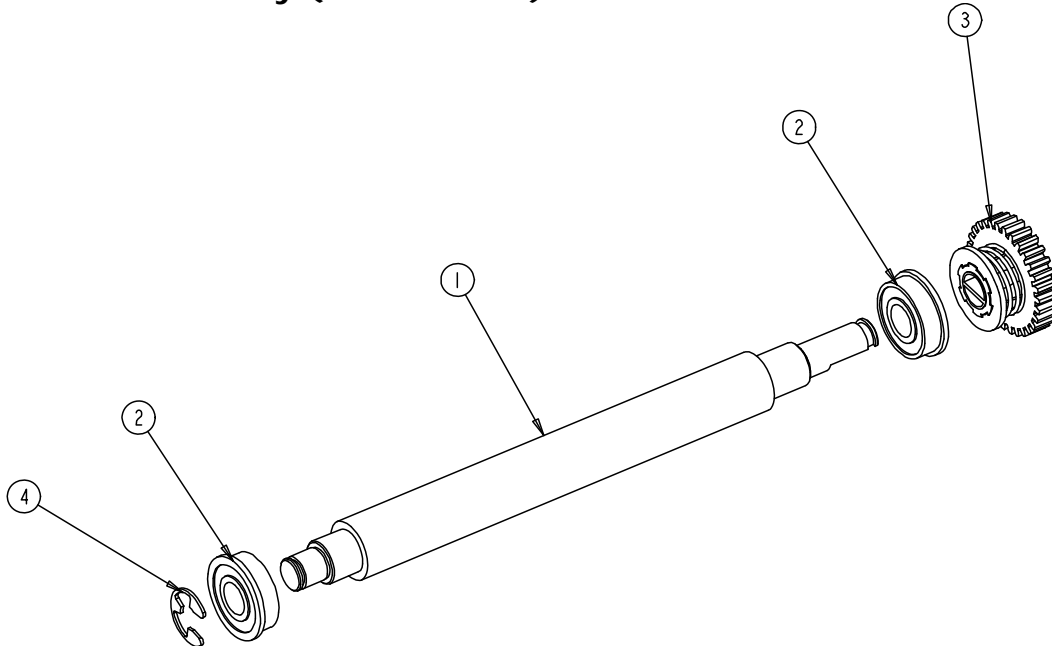
Item	Part Number	Description	Notes
1	15-3105-01	ASSY 6" LH PRINthead MOUNT ROHS	
2	12-3267-04	PIVOT 6" PRINthead ROHS	
3	12-3233-04	SHAFT PRINthead MOUNT ROHS	
4	12-3266-01	PLATE PRINthead ADAPTER ROHS	
5	DPO16-2906-01	(2PK) CAM NARROW MEDIA ROHS	
6	16-2907-01	KNOB NARROW MEDIA ROHS	
7	11-5552-02	SHIELD RIBBON ROHS	
8	DPO899349	(10PK) BEARING - FLANGED .312 ROHS	
9	DPO17-3075-01	(2PK) SPRING COMP.30ODX.045WDX.56 ROHS	
10	DPO10-3084-01	(10PK) WASHER WAVE .312 ID CRES	
11	DPO10-3084-02	(10PK) WASHER WAVE .505 ID CRES	
12	DPO10-3085-05	(25PK) SCRW SH CAP W/ LW M4 X 16 ROHS	
13	DPO10-3018-04	(25PK) WASHER FLAT #8 CRES	
14	DPO10-3085-06	(25PK) SCREW SOC HD CAP W/ LW M4 X 20	
16	DPO10-3085-02	(25PK) SCREW SOC HD CAP W/ LW M4 X 8	
17	DPO10-3015-43	(10PK) SCREW SHC M4X20 CRES W/LKG COMP	
18	32-2528-01	GROUND STRAP ROHS	

**Peel Roller Assembly (15-3019-12)**



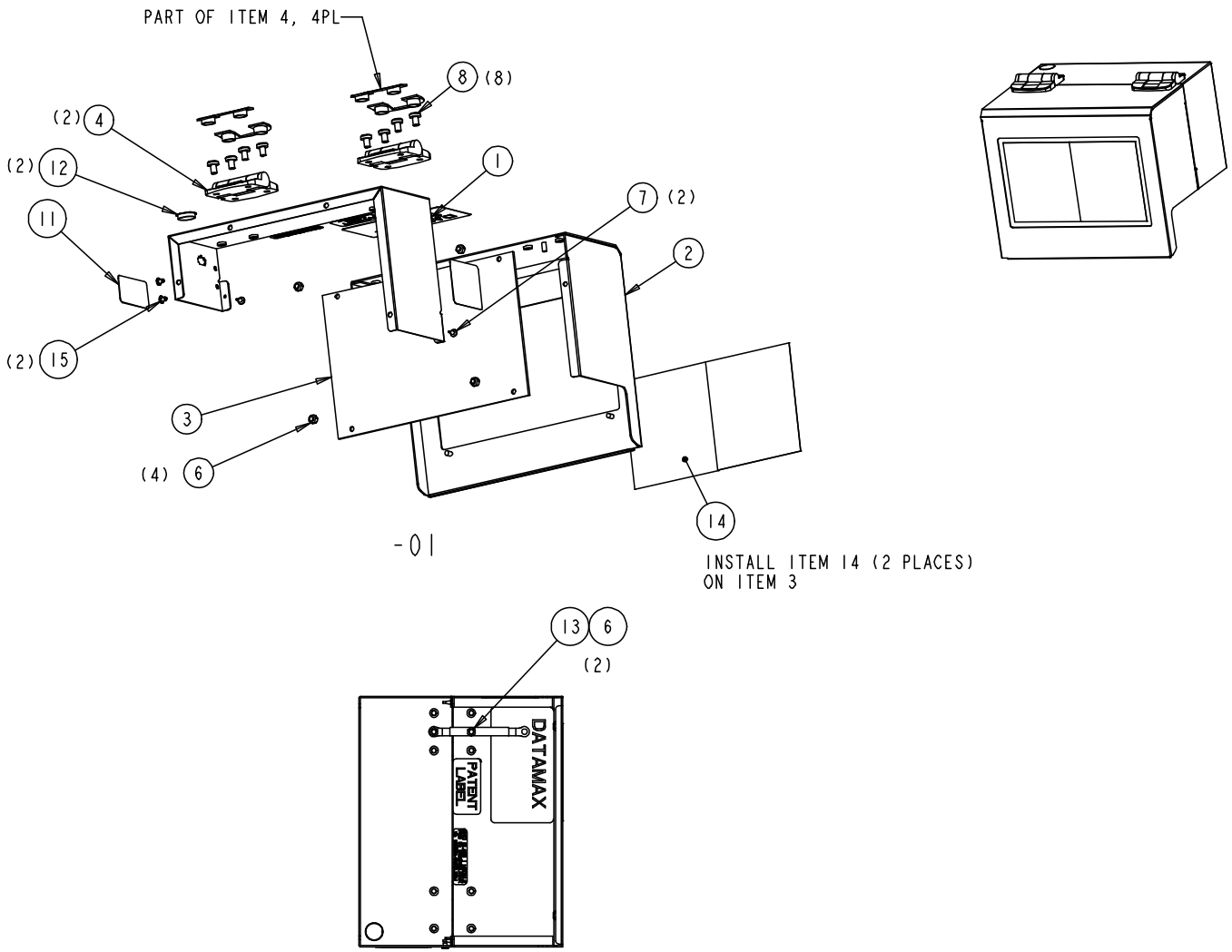
Item	Part Number	Description	Notes
1	13-2405-02	ROLLER PLATEN 6" ROHS	
2	17-3028-01	BEARING FLANGED 440C 3/8X7/8 ROHS	
3	DPO16-2904-01	(2PK) PULLEY TIMING 22 TEETH ROHS	
4	DPO10-3021-07	(25PK) E-RING 3/8 TRUARC CRES	
5	DPO10-3084-03	(5PK) WASHER WAVE .378 ID CRES ROHS	

**Take-up Roller Assembly (15-3019-13)**



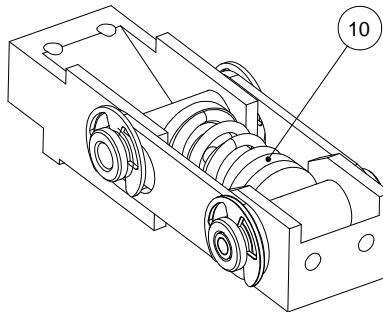
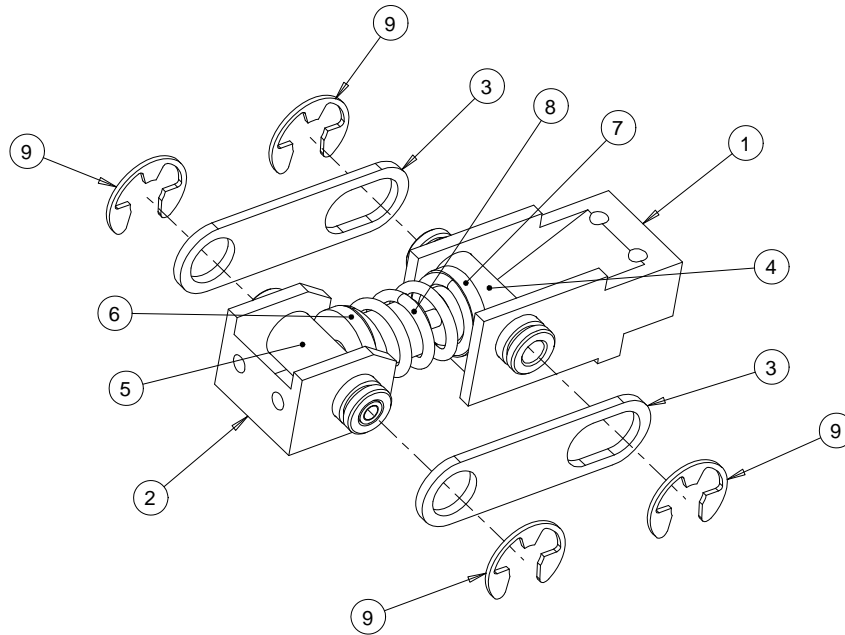
Item	Part Number	Description	Notes
1	13-2405-02	ROLLER PLATEN 6" ROHS	
2	17-3028-01	BEARING FLANGED 440C 3/8X7/8 ROHS	
3	15-3020-01	CLUTCH RIBBON TAKE-UP ROHS	
4	DPO10-3021-07	(25PK) E-RING 3/8 TRUARC CRES ROHS	

Cover Assembly (15-3021-12)



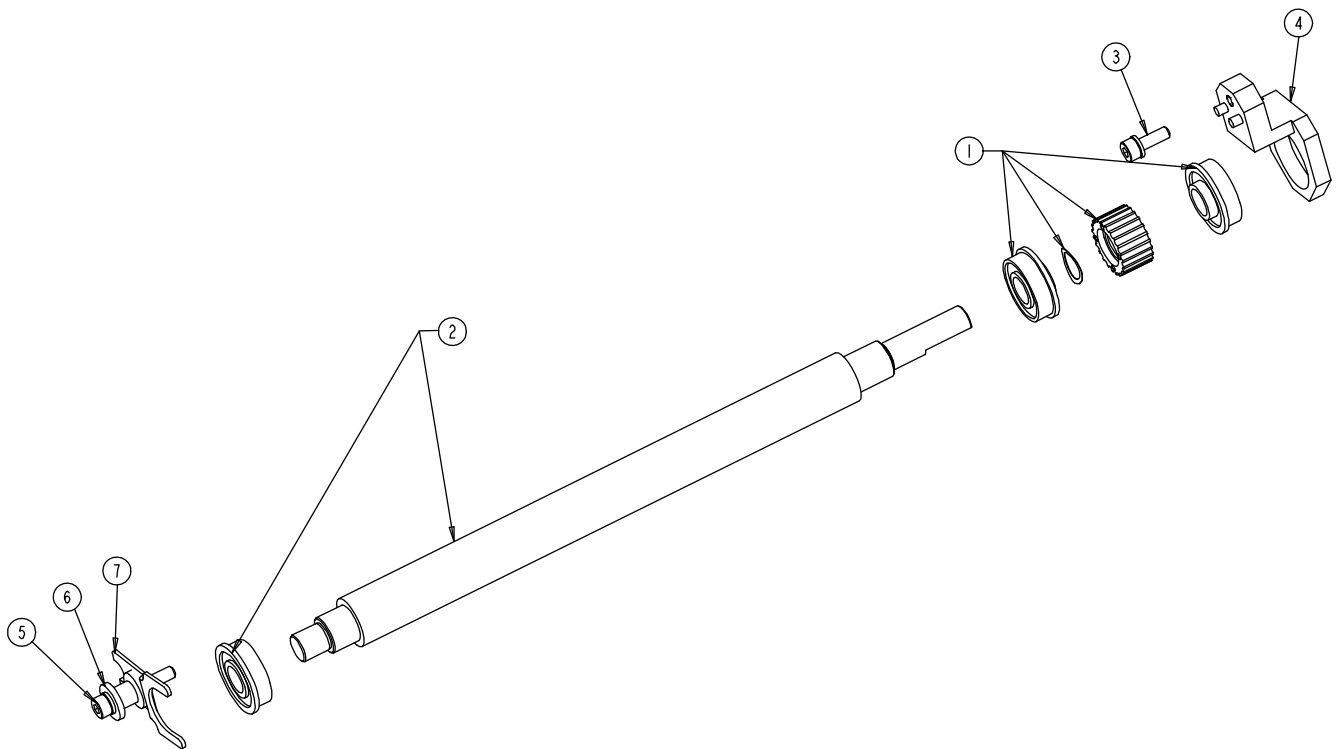
Item	Part Number	Description	Notes
1	11-5533-12	COVER INNER 6" LH ROHS	
2	11-5534-02	COVER OUTER LH ROHS	
3	16-2887-01	WINDOW ROHS	
4	17-3036-01	HINGE ROHS	
6	DPO10-3091-01	(50PK) NUT HEX SELF-LOCKING M4 CRES ROHS	
7	DPO13-2392-01	(10PK) BUMPER PULL THRU ROHS	
8	DPO10-3090-01	(50PK) SCREW PANHEAD M5 X 8 CRES ROHS	
11	14-2835-01	LABEL WARNING ROHS	
12	DPO17-3067-01	(25PK) PLUG 5/8 HOLE ROHS	
13	32-2553-01	GROUND CABLE A-CLASS COVER ROHS	
14	---	TAPE PROTECTIVE ROHS	
15	DPO17-3174-01	(10PK) RIVET NYLON SNAP .135" DIA	
---	78-2831-01	SENSOR OPEN COVER A-CLASS MKII	Not shown

**Printhead Pressure Assembly (15-3186-12)**



Item	Part Number	Description	Notes
1	12-3229-01	BRACKET PRESSURE LOWER ROHS	
2	12-3485-01	BRACKET PRESSURE UPPER	
3	11-5537-01	RETAINER PRINthead PRESSURE ROHS	
4	12-3486-01	SHAFT PRINthead PRESSURE	
5	15-3187-01	ASSY PIVOT PIN	
6	12-3353-01	SLIDE UPPER ROHS	
7	12-3354-01	SLIDE LOWER ROHS	
8	17-3160-01	SPRING COMPRESSION	
9	DPO10-3021-07	(25PK) E-RING 3/8 TRUARC CRES ROHS	
10	16-3005-01	SPACER PH PRESSURE ROHS	

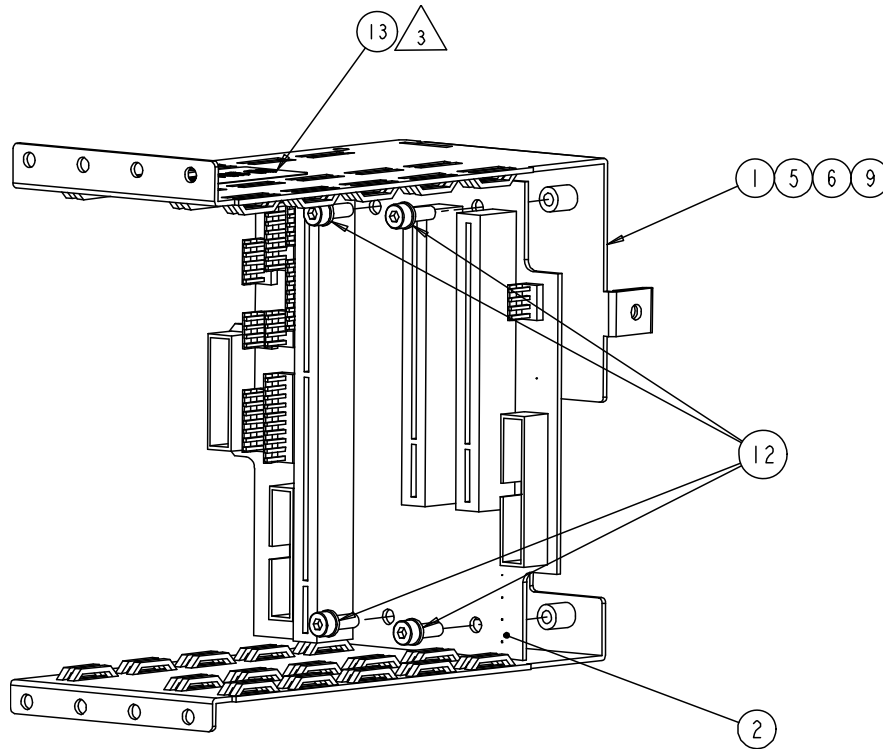
Platen Roller Removable (15-3215-12)



Item	Part Number	Description	Notes
1	15-3218-01	G2 PLATEN PULLEY ASSY	
2	15-3219-02	G2 REMOVABLE PLATEN ROLLER & OUTER BEARING 6"	
3	DPO10-3085-14	(25PK) SCRW SHC W/ LK COMP M4 X 12	
4	12-3491-01	G2 BLOCK BEARING MTG	
5	DPO10-3085-07	(25PK) SCRW SH CAP W/ LW M4 X 25 ROHS	
6	12-3501-01	G2 POST LATCH	
7	11-5783-01	G2 BRACKET BEARING RETAINER	

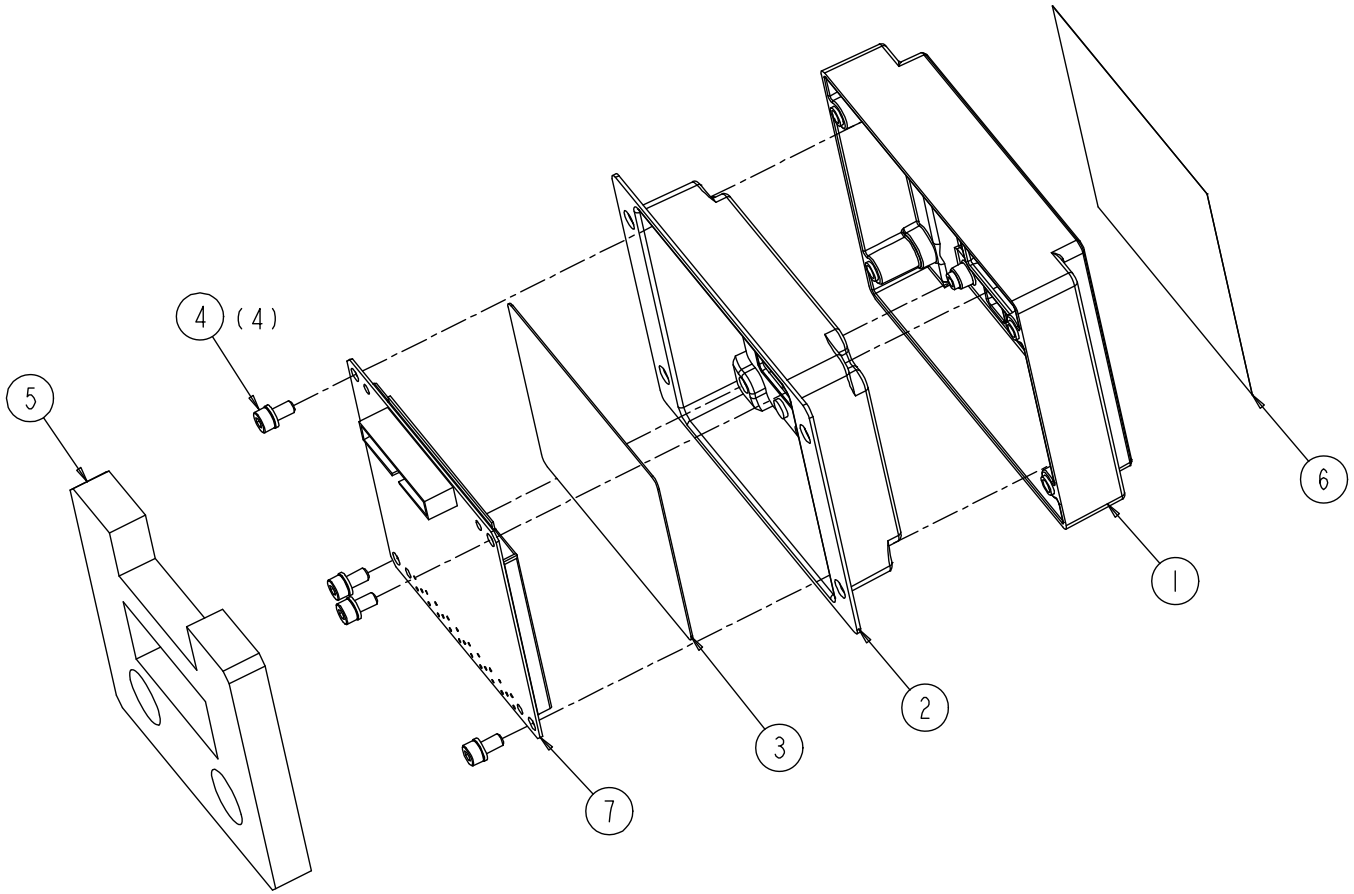


Card Cage Assembly (24-2685-XX)



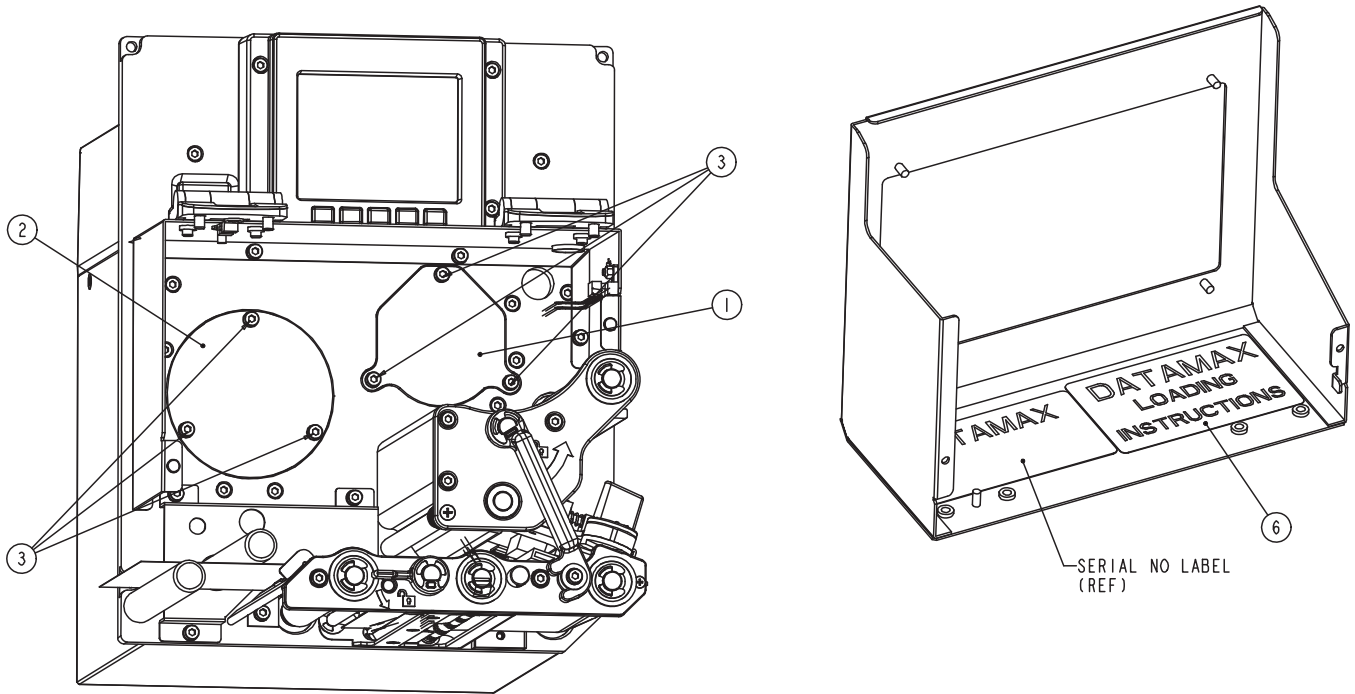
Item	Part Number	Description	Notes
1	11-5682-02	CARD CAGE ROHS	
2	---	A-CLASS G2 BACKPLANE REMOTE READY	Available as part of whole assembly 24-2685-02
	---	A-CLASS G2 BACKPLANE NON REM. RDY.	Available as part of whole assembly 24-2685-01
5	32-2530-01	CABLE ASSY BACK PLANE PWR ROHS	Not shown
6	32-2531-01	CABLE ASSY MOTOR CONTROL ROHS	Not shown
9	32-2540-01	CABLE ASSY. GRAPHICS DISPLAY ROHS	Not shown
	32-2646-01	CABLE ASSY GRAPHICS & REMOTE DISPLAY ROHS	Not shown
12	DPO10-3085-04	(25PK) SCREW SOC HD CAP W/ LW M4 X 12 ROHS	
13	---	LABEL CARD CAGE UL ROHS	
---	DPO10-2626-01	REMOTE READY DISPLAY ONLY – (50PK) SCRW JACK .19 X .19L 4-40THD ROHS	Quantity 2, not shown
---	DPO140028	REMOTE READY DISPLAY ONLY – (50PK) NUT HEX 4-40 W/ TOOTH KEPS ROHS	Quantity 2, not shown

Display Assembly (24-2691-01)



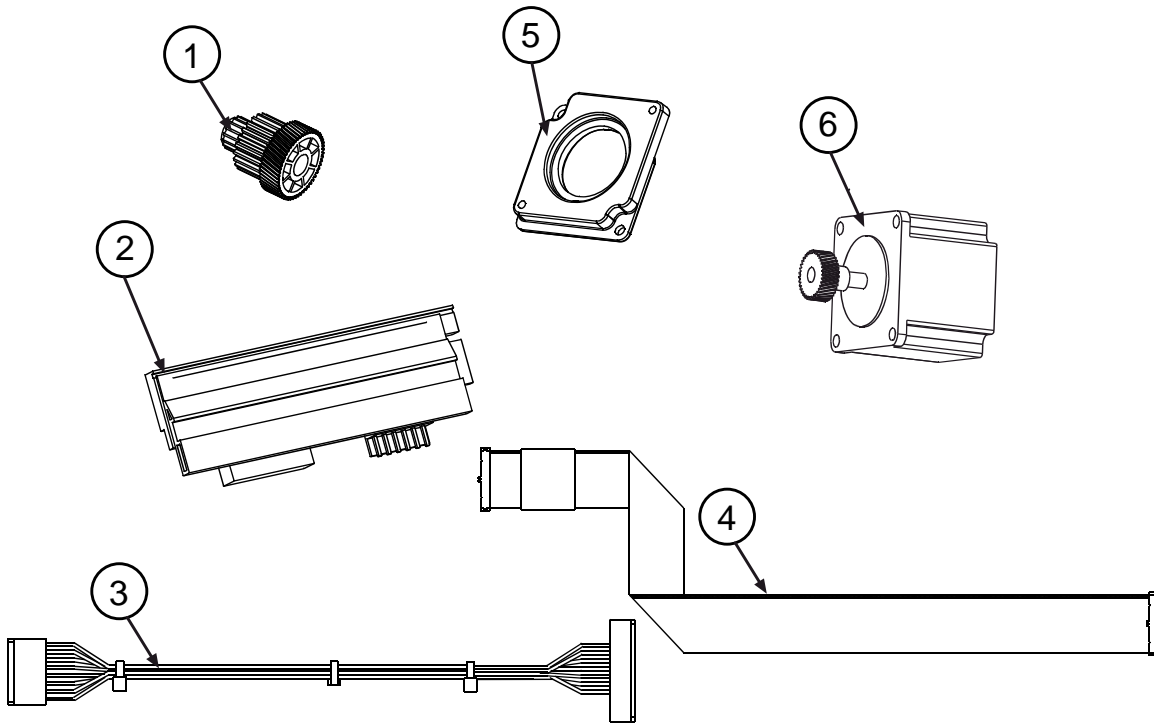
Item	Part Number	Description	Notes
1	12-3270-01	BEZEL DISPLAY ROHS	
2	16-2916-01	KEYPAD 5 BUTTON ROHS	
3	16-2961-01	COVER LCD ROHS	
4	DPO10-3085-02	(25PK) SCRW SH CAP W/ LW M4 X 8 ROHS	
5	DPO13-2425-01	(5PK) FILLER CONTROL PANEL BOOT ROHS	
6	---	TAPE PROTECTIVE ROHS	
7	45-2028-01	A-CLASS G2 DISPLAY 320X240 ALIKEH	

Direct Thermal (78-2474-01)



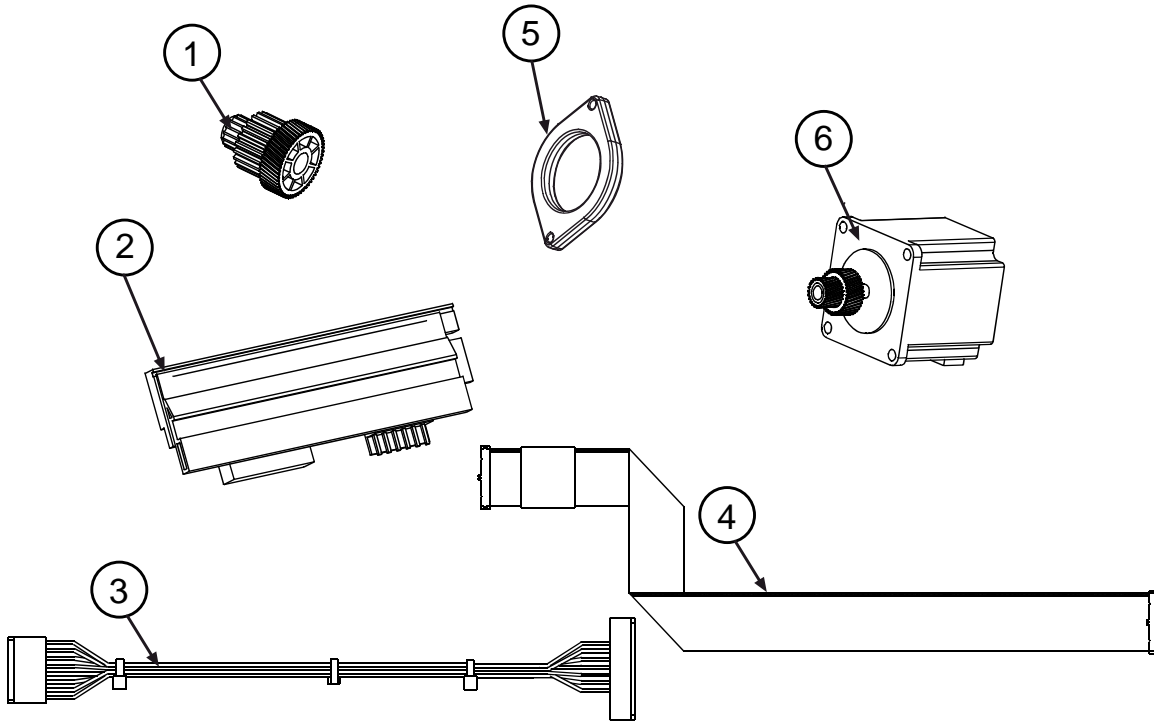
Item	Part Number	Description	Notes
1	11-5584-01	COVER RIBBON TAKE-UP ROHS	
2	11-5585-01	COVER RIBBON SUPPLY ROHS	
3	DPO10-3085-02	(25PK) SCREW SOC HD CAP W/ LW M4 X 8 ROHS	
6	14-2872-03	LABEL LINERLESS LOADING DT ROHS	

Printhead / Pulley Kit, 203DPI



Item	Part Number	Description	Notes
1	15-3117-01	PULLEY COMPOUND 203DPI, ROHS	
2	PHD20-2245-01	PH 6" WIDE 203 DPI SMART ROHS	
3	32-2534-02	CABLE ASSY 6 IN PRINthead PWR ROHS	
4	32-2650-01	CABLE ASSY 6IN PRINthead DATA ROHS	
5	12-3384-02	SPACER MOTOR MOUNTING ROHS	
6	24-2543-03	STEPPER MOTOR ASSEMBLY, ROHS	
---	DPO10-3085-04	(25PK) SCRW, SH CAP W/LW, M4 X 12, ROHS	Quantity 4, not shown

Printhead / Pulley Kit, 300 DPI



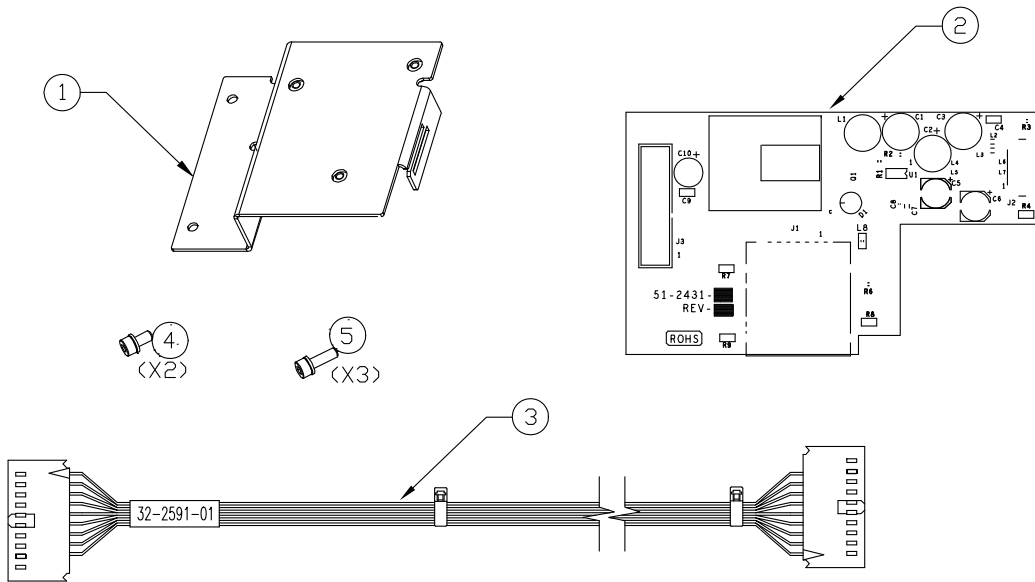
Item	Part Number	Description	Notes
1	15-3118-01	GEAR COMPOUND 300DPI, ROHS	
2	PHD20-2246-01	PH 6" WIDE 300 DPI SMART ROHS	
3	32-2534-02	CABLE ASSY 6" PRINTHEAD PWR ROHS	
4	32-2650-01	CABLE ASSY. 6IN PRINTHEAD DATA ROHS	
5	12-3370-01	SPACER MOTOR MOUNTING, ROHS	
6	24-2543-02	STEPPER MOTOR ASSEMBLY, ROHS	
---	DPO10-3085-06	(25PK) SCRW, SH CAP W/LW, M4 X 20, ROHS	Quantity 2, not shown



# Printer Options, All Models

**Card, Memory, USB/SDIO (78-2801-XX)**

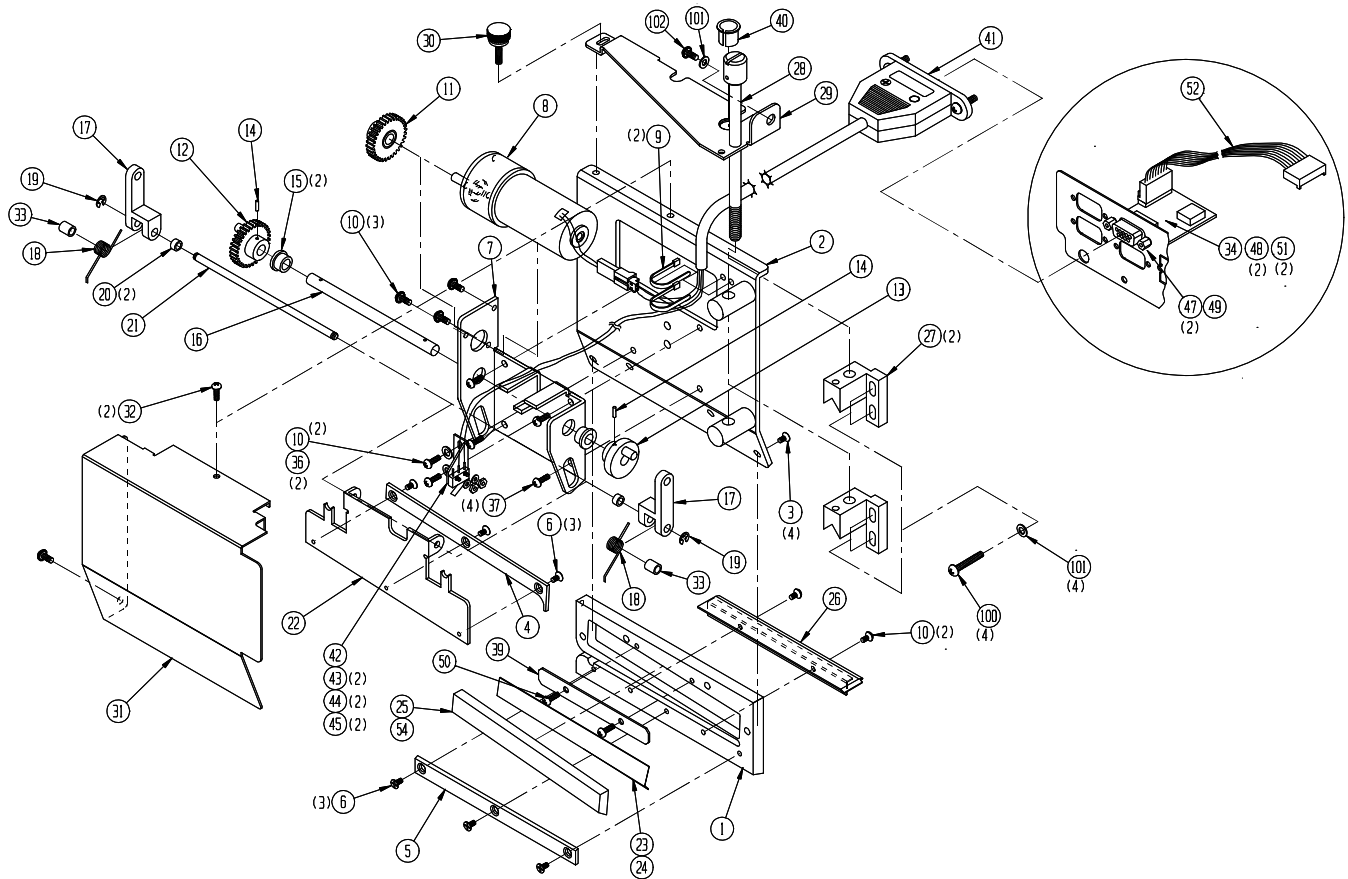
- 78-2801-01 CARD, MEMORY, USB/SDIO, RH
- 78-2801-02 CARD, MEMORY, USB/SDIO, LH



Item	Part Number	Description	Notes
1	11-5778-01	G2 BRACKET MEMORY BOARD RH	
	11-5777-01	G2 BRACKET MEMORY BOARD LH	
2	51-2431-00	CCA SDIO/USB HOST H-CLASS ROHS	
3	32-2591-01	ASSY CABLE SDIO TALL - ROHS	
4	DPO10-3085-02	(25PK) SCRW SH CAP W/ LW M4 X 8 ROHS	
5	DPO10-3085-04	(25PK) SCREW SOC HD CAP W/ LW M4 X 12 ROHS	
---	DPO44-2060-01	(2PK) ASSY FERRITE ROHS	Not shown
---	DPO14-2991-01	(2PK) LABEL TOP SIDE DOWN MEMORY CARD RH	Not shown
	DPO14-2991-02	(2PK) LABEL TOP SIDE DOWN MEMORY CARD LH	Not shown



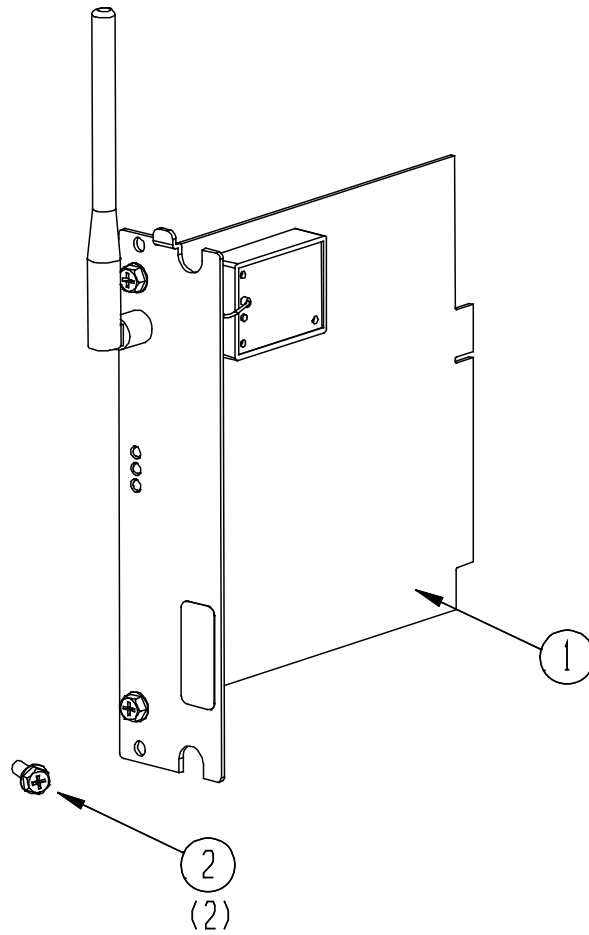
Cutter, Linerless, Four-Inch Right Hand Models (61-2173-02)



Item	Part Number	Description	Notes
1	12-2881-01	PLATE BASE ROHS	
2	15-2751-01	ASSY BACKPLATE ROHS	
3	DPO10-2894-01	(50PK) SCREW FHP 8-32 X 3/8 ROHS	
4	12-2884-01	BLADE CUTTING UPPER ROHS	
5	12-2885-01	BLADE CUTTING LOWER ROHS	
6	DPO10-2364-01	(50PK) SCRW 4-40 X 3/16 PFH UNDERCUT ROHS	
7	11-5079-01	BRACKET LOWER ROHS	
8	24-2507-01	ASSY MOTOR ROHS	
9	---	TYWRAP 4" ROHS	
10	DPO130809	(50PK) SCRW PHP 4-40 X 1/4 EX SEMS ROHS	
11	17-2814-01	SPUR GEAR 30T ROHS	
12	899397	GEAR - CRANK ROHS	
13	899433	CRANK CUTTER ROHS	
14	DPO17-2376-01	(50PK) PIN-RETAINING ROHS	
15	DPO17-2525-01	(25PK) BEARING OILITE FF 312-2 ROHS	
16	12-2886-01	SHAFT DRIVE ROHS	
17	16-2518-01	LINK ROHS	

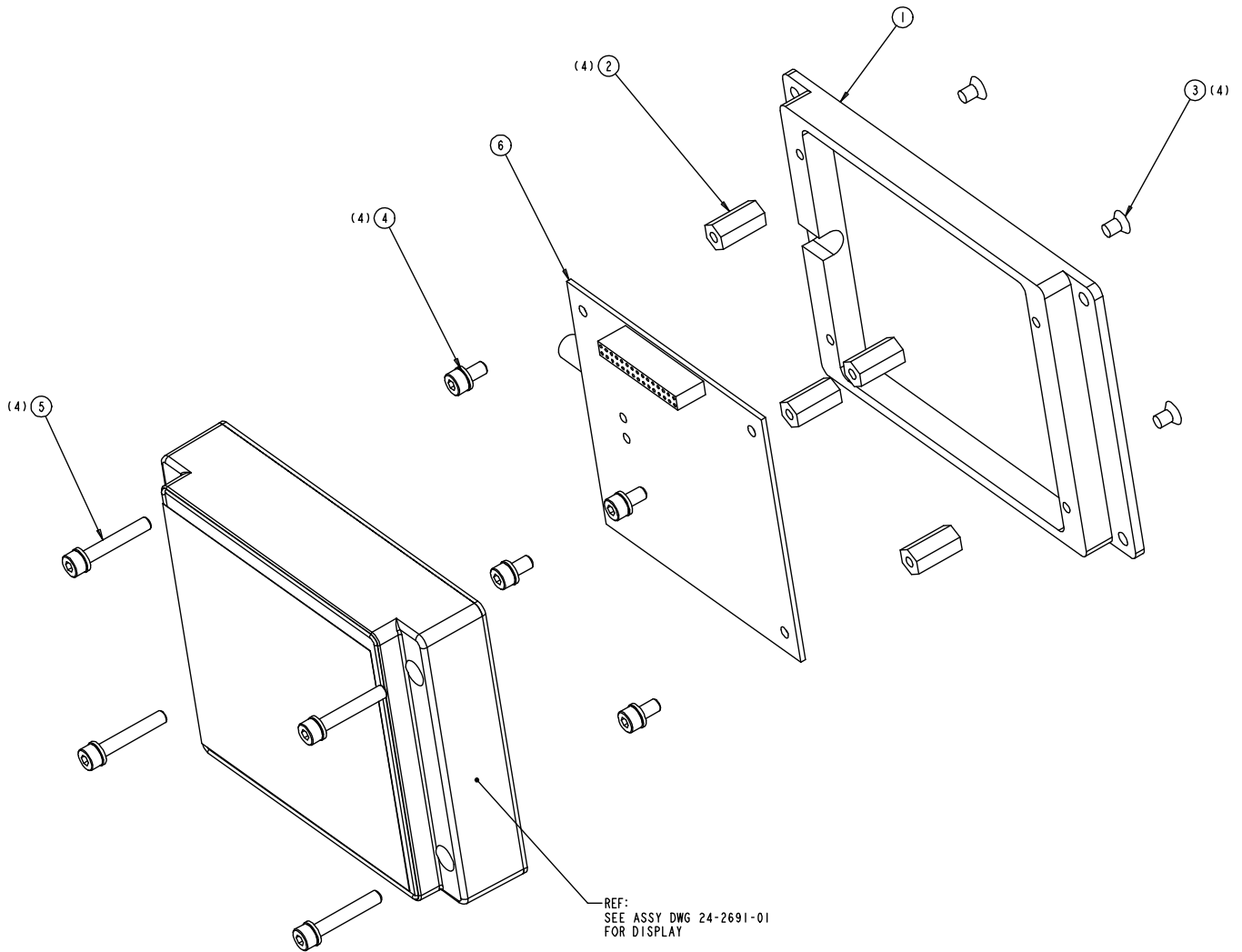
Item	Part Number	Description	Notes
18	DPO17-2807-01	(5PK) SPRING TORSION R.H. ROHS	
19	DPO140065	(50PK) E-RING RETAINING 5/32 ROHS	
20	17-2812-01	ROLLER BEARING ROHS	
21	12-2887-01	SHAFT BLADE CARRIER ROHS	
22	11-5080-01	BLADE CARRIER ROHS	
23	11-5172-01	SPACER PAD ROHS	
24	---	ADHESIVE RTV ROHS	
25	13-2350-01	PAD WICK ROHS	
26	11-5082-02	GUIDE INPUT ROHS	
27	12-2880-02	MOUNT CUTTER ROHS	
28	15-2753-01	MOUNTING SCREW ROHS	
29	11-5155-01	BRACKET ROHS	
30	17-2815-01	THUMB SCREW ROHS	
31	11-5161-01	COVER ROHS	
32	DPO10-2708-01	(50PK) SCREW SEM 6-32 X 1/4 ROHS	
33	---	TUBING TEFLON ROHS	
34	51-2257-00	CCA CUTTER DAUGHTER PE42/43 ROHS	
36	DPO10-0438-01	(50PK) WSHR #4 FLAT.250 X.125 X.025 ROHS	
37	DPO130810	(50PK) SCRW 6-32 X 1/4 PHIL PH EXT/S ROHS	
38	32-2423-02	CABLE ASSY CUTTER ROHS	
39	11-5173-01	PLATE KEEPER ROHS	
40	DPO17-0149-01	(50PK) BUSHING OPEN-CLOSED ROHS	
41	32-2423-03	CABLE ASSY CUTTER ROHS	
42	11-5174-01	BRACKET SWITCH MTG ROHS	
43	DPO10-2733-01	(20PK) SCREW PAN HEAD M2X10 ZINC ROHS	
44	DPO140029	(50PK) WASHER #2 INT TOOTH LOCK ROHS	
45	DPO10-2510-01	(50PK) HEX NUT M2 X .4 ROHS	
47	DPO10-3066-01	(25PK) SCREW FLAT HEAD SS M4 X 6 ROHS	
48	DPO10-3038-01	(10PK) JCK SCRW 3/16 4-40 X 5/16 SS ROHS	
49	11-5670-01	BRACKET CUTTER BD MTG ROHS	
50	DPO130806	(50PK) SCREW 4-40 X 3/16 PHIL PH ZP	
51	DPO10-3019-02	(50PK) WASHER SPLIT LOCK #4 CRES ROHS	
52	32-2611-01	CABLE ASSY CUTTER ROHS	
53	14-2835-01	LABEL WARNING ROHS	
54	---	FLUID DOW CORNING 200 1000 CST	
100	DPO10-3085-06	(25PK) SCRW SH CAP W/ LW M4 X 20 ROHS	
101	DPO10-3139-01	(50PK) WASHER FLAT .188 ID X .375 OD X .0	
102	DPO10-3085-03	(25PK) SCRW SH CAP W/ LW M4 X 10 ROHS	

Wi-Fi Interface (OPT78-2873-02)



Item	Part Number	Description	Notes
1	OPT78-2873-02	DMXrfNet3 W-LAN 802.11 B/G WPA2	
2	DPO10-2903-04	(50PK) SCRW SWGFRM M4 PHILIPS HD 12	
	DPO17-3104-02	Antenna R. Duck RP/SMA	

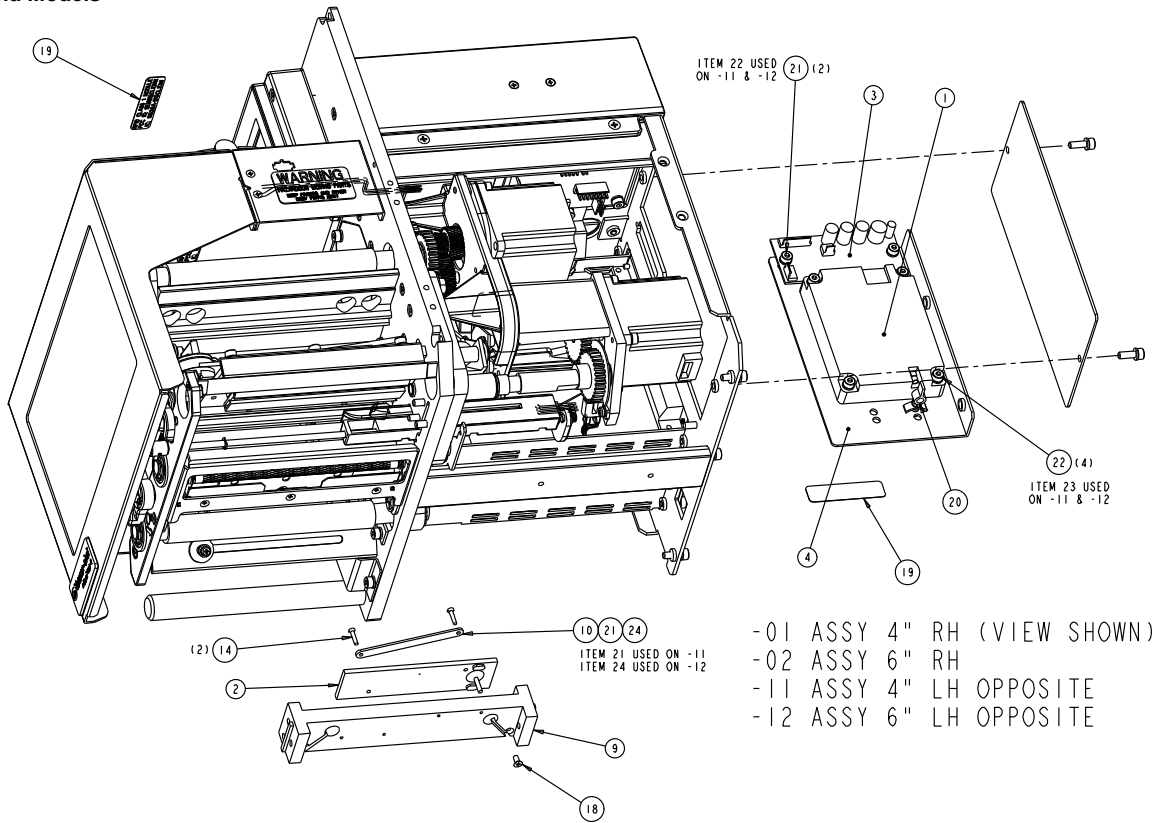
Remote Display Assembly



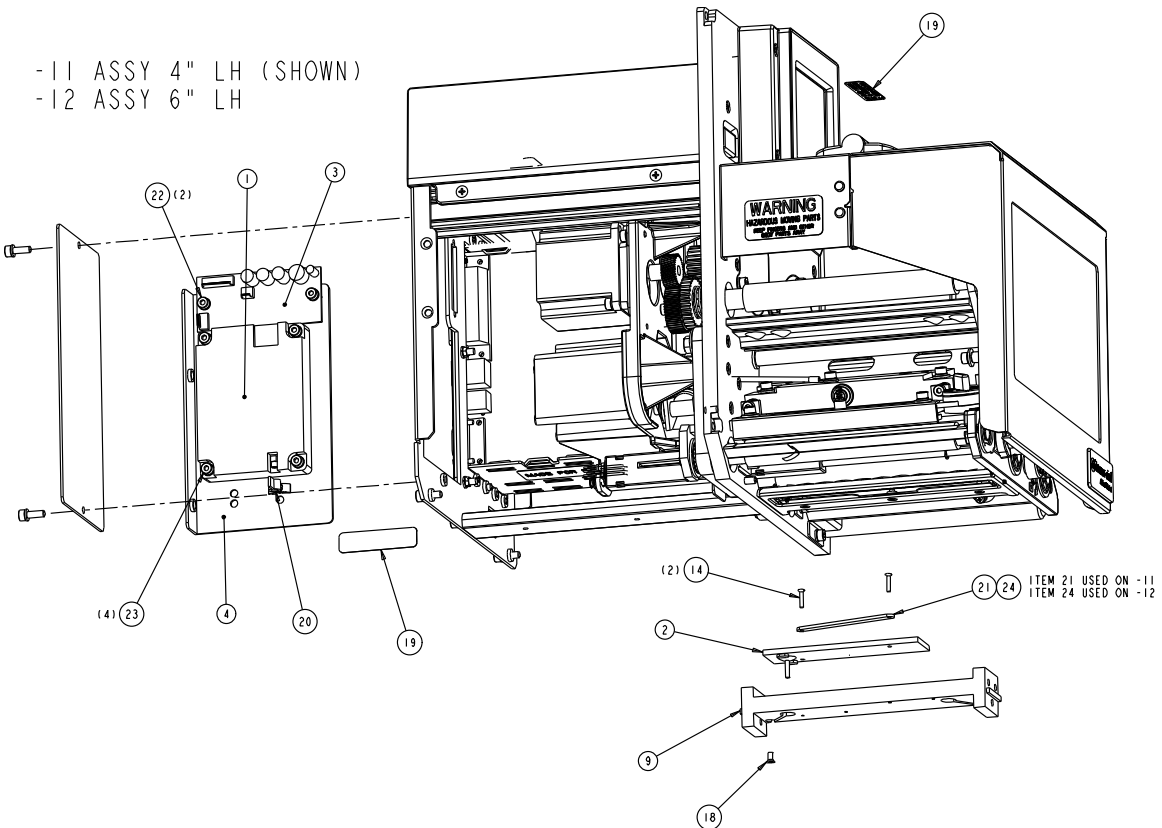
Item	Part Number	Description	Notes
1	12-3297-01	G2 MOUNT REMOTE DISPLAY	
2	12-3298-01	STANDOFF M4 THD X 16MM ROHS	
3	DPO10-3066-01	(25PK) SCREW FLAT HEAD SS M4 X 6 ROHS	
4	DPO10-3085-02	(25PK) SCREW SOC HD CAP W/LW M4 X 8 ROHS	
5	DPO10-3085-07	(25PK) SCREW SOC HD CAP W/LW M4 X 25 ROHS	
6	51-2456-00	A-CLASS G2 CCA REMOTE LCD INTERFACE	Also see Card Cage assembly

RFID

Right Hand Models



Left Hand Models



**Four-Inch Right Hand RFID ROHS**

Item	Part Number	Description	Notes
1	20-2244-01	MOD. RFID UHF MULTI-PROTOCOL ROHS	
2	50-2062-01	RFID UHF TRANSDUCER ROHS	
3	51-2417-00	CCA SW. REG BRD. RFID ROHS	
4	11-5784-01	G2 BRACKET RFID/REMOTE DISPLAY	
6	32-2597-01	CBL. ASSY RFID INT. A-CLASS ROHS	Not Shown
9	12-3469-01	BAR RFID SUPPORT ROHS	
10	13-2459-01	SPACER RFID ANTENNA ROHS	
11	---	CABLE TIE ROHS	Not Shown
14	DPO10-3123-01	(50PK) SCREW, NYLON 2-56 X .44 LG ROHS	
18	DPO10-3088-01	(25PK) SCREW, FLATHEAD, CRES, M3 X 6	
19	---	LABEL RFID FCC CLASS 1 ROHS	
20	DPO17-3137-01	(10PK) CLIP STANDOFF LOCKING ROHS	
21	DPO10-3085-03	(25PK) SCREW SOC HD CAP W/ LW M4 X 10 ROHS	
22	DPO10-3085-05	(25PK) SCRW SH CAP W/ LW M4 X 16 ROHS	
23	32-2649-01	CABLE ASSY. RFID COMM & PWR ROHS	Not Shown

**Six-Inch Right Hand RFID ROHS**

Item	Part Number	Description	Notes
1	20-2244-01	MOD. RFID UHF MULTI-PROTOCOL ROHS	
2	50-2066-01	RFID UHF 6 INCH TRANSDUCER ROHS	
3	51-2417-00	CCA SW. REG BRD. RFID ROHS	
4	11-5784-01	G2 BRACKET RFID/REMOTE DISPLAY	
6	32-2597-01	CBL. ASSY RFID INT. A-CLASS ROHS	Not Shown
9	12-3469-02	BAR 6" RFID SUPPORT ROHS	
11	---	CABLE TIE ROHS	Not Shown
14	DPO10-3123-01	(50PK) SCREW, NYLON 2-56 X .44 LG ROHS	
18	DPO10-3088-01	(25PK) SCREW, FLATHEAD, CRES, M3 X 6	
19	---	LABEL RFID FCC CLASS 1 ROHS	
20	DPO17-3137-01	(10PK) CLIP STANDOFF LOCKING ROHS	
21	DPO13-2459-02	(5PK) G2 SPACER 6" RFID ANTENNA ROHS	
22	DPO10-3085-03	(25PK) SCREW SOC HD CAP W/ LW M4 X 10 ROHS	
23	DPO10-3085-05	(25PK) SCRW SH CAP W/ LW M4 X 16 ROHS	
24	32-2649-01	CABLE ASSY. RFID COMM & PWR ROHS	Not Shown

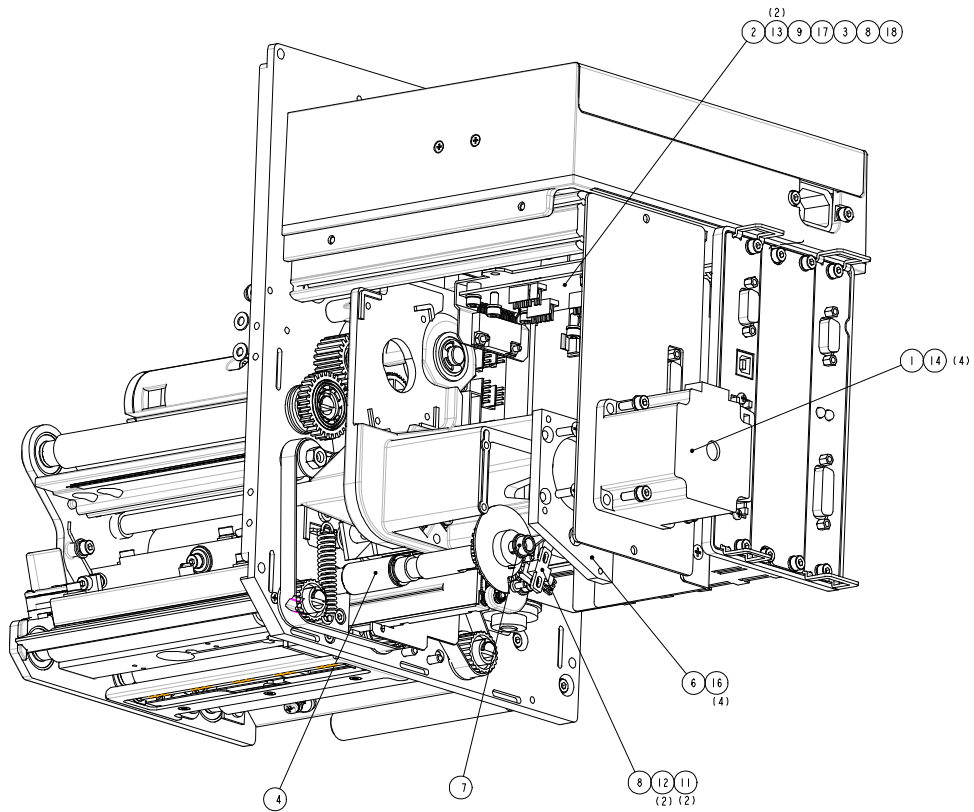
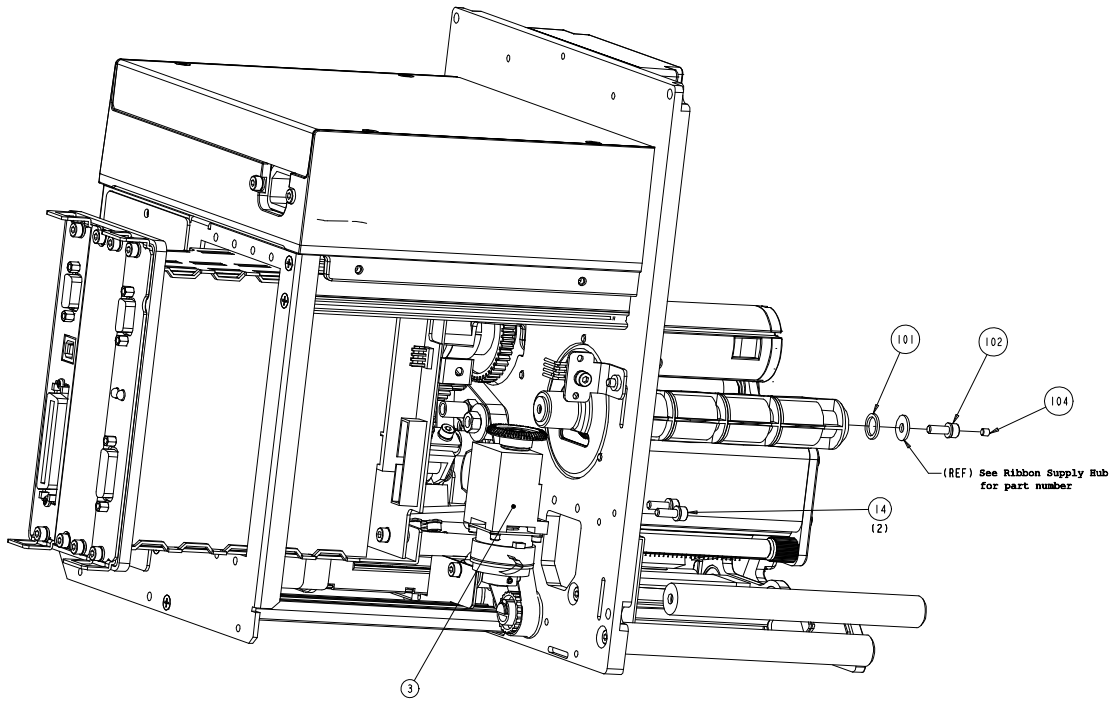
**Four-Inch Left Hand RFID ROHS**

Item	Part Number	Description	Notes
1	20-2244-01	MOD. RFID UHF MULTI-PROTOCOL ROHS	
2	50-2062-01	RFID UHF TRANSDUCER ROHS	
3	51-2417-00	CCA SW. REG BRD. RFID ROHS	
4	11-5784-02	G2 BRACKET RFID MOUNTING LH	
6	32-2597-01	CBL. ASSY RFID INT. A-CLASS ROHS	Not Shown
9	12-3469-01	BAR RFID SUPPORT ROHS	
10	13-2459-01	SPACER RFID ANTENNA ROHS	
11	---	CABLE TIE ROHS	Not Shown
14	DPO10-3123-01	(50PK) SCREW, NYLON 2-56 X .44 LG ROHS	
18	DPO10-3088-01	(25PK) SCREW, FLATHEAD, CRES, M3 X 6	
19	---	LABEL RFID FCC CLASS 1 ROHS	
20	DPO17-3137-01	(10PK) CLIP STANDOFF LOCKING ROHS	
21	DPO10-3085-03	(25PK) SCREW SOC HD CAP W/ LW M4 X 10 ROHS	
22	DPO10-3085-05	(25PK) SCRW SH CAP W/ LW M4 X 16 ROHS	
23	32-2649-01	CABLE ASSY. RFID COMM & PWR ROHS	Not Shown

**Six-Inch Left Hand RFID ROHS**

Item	Part Number	Description	Notes
1	20-2244-01	MOD. RFID UHF MULTI-PROTOCOL ROHS	
2	50-2066-01	RFID UHF 6 INCH TRANSDUCER ROHS	
3	51-2417-00	CCA SW. REG BRD. RFID ROHS	
4	11-5784-02	G2 BRACKET RFID MOUNTING LH	
6	32-2597-01	CBL. ASSY RFID INT. A-CLASS ROHS	Not Shown
9	12-3469-02	BAR 6" RFID SUPPORT ROHS	
11	---	CABLE TIE ROHS	Not Shown
14	DPO10-3123-01	(50PK) SCREW, NYLON 2-56 X .44 LG ROHS	
18	DPO10-3088-01	(25PK) SCREW, FLATHEAD, CRES, M3 X 6	
19	---	LABEL RFID FCC CLASS 1 ROHS	
20	DPO17-3137-01	(10PK) CLIP STANDOFF LOCKING ROHS	
22	DPO10-3085-03	(25PK) SCREW SOC HD CAP W/ LW M4 X 10 ROHS	
23	DPO10-3085-05	(25PK) SCRW SH CAP W/ LW M4 X 16 ROHS	
24	DPO13-2459-02	(5PK) G2 SPACER 6" RFID ANTENNA ROHS	
25	32-2649-01	CABLE ASSY. RFID COMM & PWR ROHS	Not Shown

Ribbon Saver



-01 Shown



**Four-Inch Right Hand RS Models (78-2449-01)**

Item	Part Number	Description	Notes
1	24-2602-01	MOTOR ASSEMBLY ROHS	
2	51-2363-00	CCA RIBBON SAVER A-CLASS ROHS	
3	24-2611-01	BRAKE ASSEMBLY RIBBON SAVER RH ROHS	
4	15-3002-01	CAM ASSEMBLY RIBBON SAVER ROHS	
6	12-3231-02	PLATE MOTOR MTG RS ROHS	
7	DPO17-2505-01	(25PK) BUSHING FLANGED .250 ID ROHS	
8	24-2620-01	CABLE ASSY RIBBON SAVER CAM ROHS	Not shown
9	32-2541-01	CABLE ASSEMBLY RIBBON SAVER ROHS	Not shown
11	DPO10-3092-01	(25PK) SCREW PHP M3 X 6MM CRES ROHS	
12	DPO10-3093-01	(25PK) WASHER M3 EXT TOOTH LOCK CRES ROHS	
13	DPO10-3085-01	(25PK) SCREW SOC HD CAP W/ LW M4 X 6 ROHS	
14	DPO10-3085-03	(25PK) SCREW SOC HD CAP W/ LW M4 X 10 ROHS	
16	DPO10-3066-04	(25PK) SCREW FLAT HEAD SS M4 X 12 ROHS	
17	32-2550-01	CABLE ASSEMBLY RIBBON SAVER POWER ROHS	Not shown
18	---	TIE TWIST LOCK ROHS	
101	DPO10-3126-01	(50PK) WASHER FLAT ROHS	
102	DPO10-3085-14	(25PK) SCREW SHC W/ LK COMP M4 X 12 ROHS	
104	DPO10-2843-01	(50PK) SCRW #6-32 X 1/8 SKT SET FLAT ROHS	

**Six-Inch Right Hand RS Models (78-2449-02)**

Item	Part Number	Description	Notes
1	24-2602-01	MOTOR ASSEMBLY ROHS	
2	51-2363-00	CCA RIBBON SAVER A-CLASS ROHS	
3	24-2611-01	BRAKE ASSEMBLY RIBBON SAVER RH ROHS	
4	15-3002-01	CAM ASSEMBLY RIBBON SAVER ROHS	
6	12-3231-02	PLATE MOTOR MTG RS ROHS	
7	DPO17-2505-01	(25PK) BUSHING FLANGED .250 ID ROHS	
8	24-2620-01	CABLE ASSY RIBBON SAVER CAM ROHS	Not shown
9	32-2541-01	CABLE ASSEMBLY RIBBON SAVER ROHS	Not shown
11	DPO10-3092-01	(25PK) SCREW PHP M3 X 6MM CRES ROHS	
12	DPO10-3093-01	(25PK) WASHER M3 EXT TOOTH LOCK CRES ROHS	
13	DPO10-3085-01	(25PK) SCREW SOC HD CAP W/ LW M4 X 6 ROHS	
14	DPO10-3085-03	(25PK) SCREW SOC HD CAP W/ LW M4 X 10 ROHS	
16	DPO10-3066-04	(25PK) SCREW FLAT HEAD SS M4 X 12 ROHS	
17	32-2550-01	CABLE ASSEMBLY RIBBON SAVER POWER ROHS	Not shown
18	---	TIE TWIST LOCK ROHS	
101	DPO10-3126-01	(50PK) WASHER FLAT ROHS	
102	DPO10-3085-14	(25PK) SCREW SHC W/ LK COMP M4 X 12 ROHS	
104	DPO10-2843-01	(50PK) SCRW #6-32 X 1/8 SKT SET FLAT ROHS	

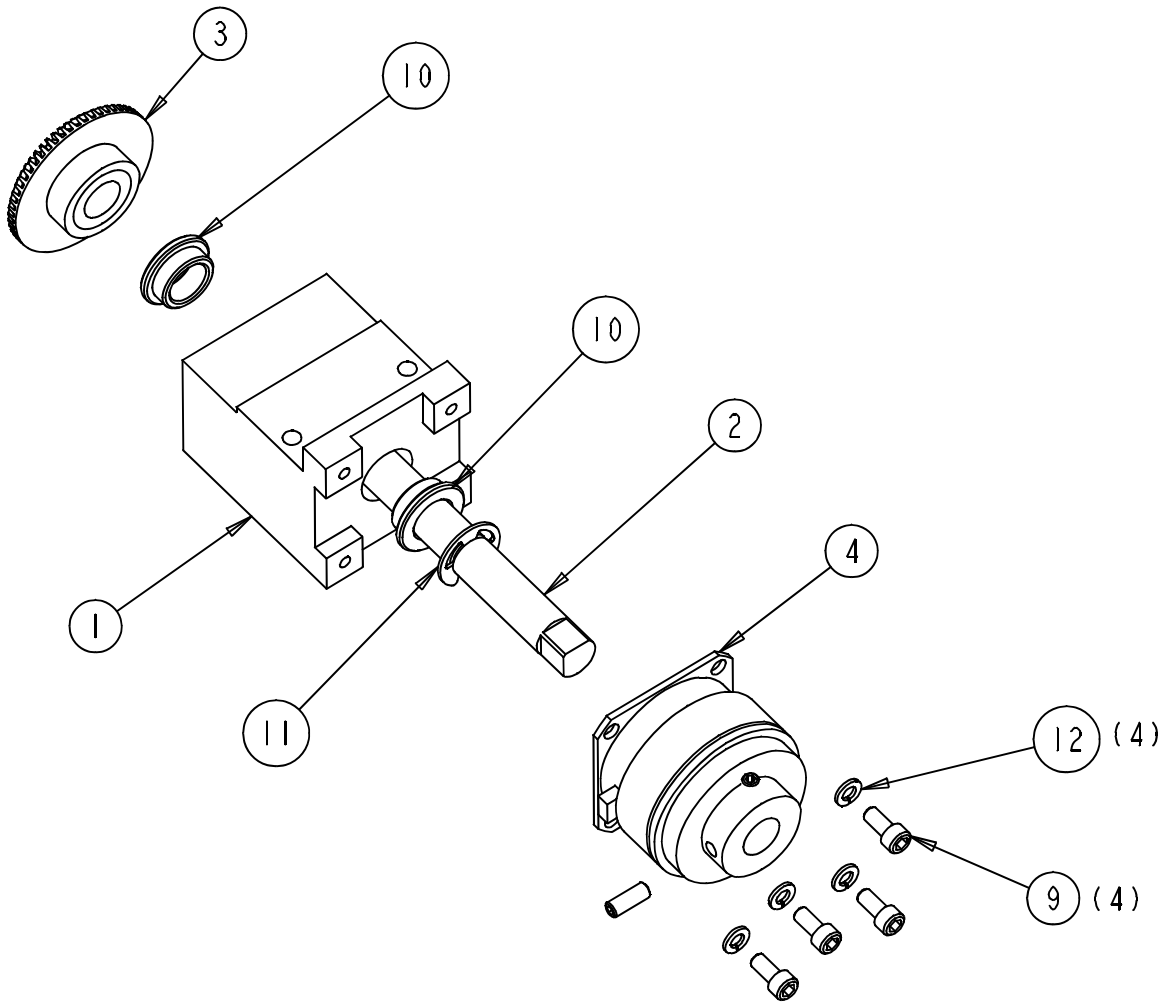
**Four-Inch Left Hand RS Models (78-2449-11)**

Item	Part Number	Description	Notes
1	24-2602-01	MOTOR ASSEMBLY ROHS	
2	51-2363-00	CCA RIBBON SAVER A-CLASS ROHS	
3	24-2611-02	BRAKE ASSEMBLY RIBBON SAVER ROHS	
4	15-3002-01	CAM ASSEMBLY RIBBON SAVER ROHS	
6	12-3231-01	PLATE MOUNTING MOTOR RS ROHS	
7	DPO17-2505-01	(25PK) BUSHING FLANGED .250 ID ROHS	
8	24-2620-01	CABLE ASSY RIBBON SAVER CAM ROHS	Not shown
9	32-2541-01	CABLE ASSEMBLY RIBBON SAVER ROHS	Not shown
11	DPO10-3092-01	(25PK) SCREW PHP M3 X 6MM CRES ROHS	
12	DPO10-3093-01	(25PK) WASHER M3 EXT TOOTH LOCK CRES ROHS	
13	DPO10-3085-01	(25PK) SCREW SOC HD CAP W/ LW M4 X 6 ROHS	
14	DPO10-3085-03	(25PK) SCREW SOC HD CAP W/ LW M4 X 10 ROHS	
16	DPO10-3066-04	(25PK) SCREW FLAT HEAD SS M4 X 12 ROHS	
17	32-2550-01	CABLE ASSEMBLY RIBBON SAVER POWER ROHS	Not shown
18	---	TIE TWIST LOCK ROHS	
101	DPO10-3126-01	(50PK) WASHER FLAT ROHS	
102	DPO10-3085-14	(25PK) SCREW SHC W/ LK COMP M4 X 12 ROHS	
104	DPO10-2843-01	(50PK) SCRW #6-32 X 1/8 SKT SET FLAT ROHS	

**Six-Inch Left Hand RS Models (78-2449-12)**

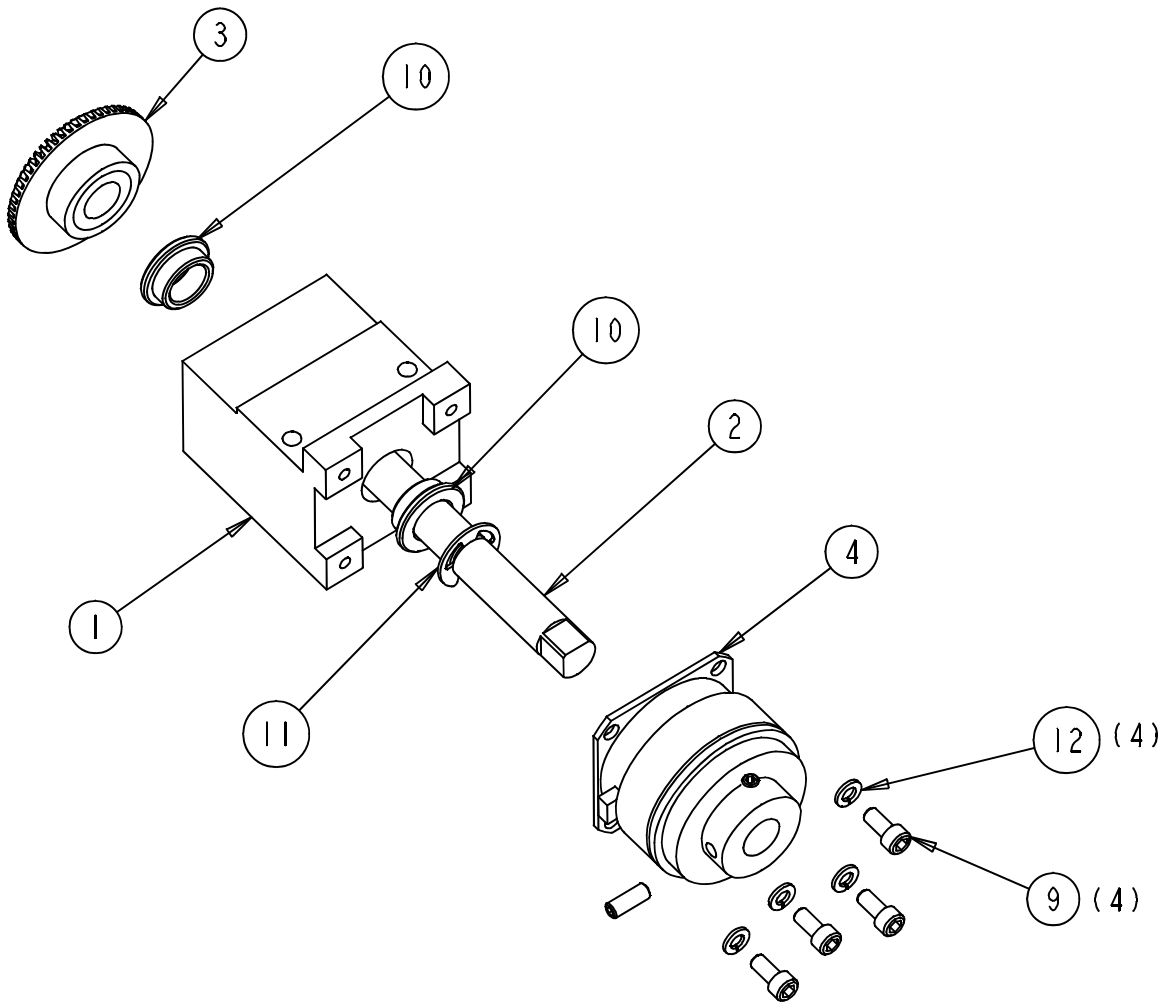
Item	Part Number	Description	Notes
1	24-2602-01	MOTOR ASSEMBLY ROHS	
2	51-2363-00	CCA RIBBON SAVER A-CLASS ROHS	
3	24-2611-02	BRAKE ASSEMBLY RIBBON SAVER ROHS	
4	15-3002-01	CAM ASSEMBLY RIBBON SAVER ROHS	
6	12-3231-01	PLATE MOUNTING MOTOR RS ROHS	
7	DPO17-2505-01	(25PK) BUSHING FLANGED .250 ID ROHS	
8	24-2620-01	CABLE ASSY RIBBON SAVER CAM ROHS	Not shown
9	32-2541-01	CABLE ASSEMBLY RIBBON SAVER ROHS	Not shown
11	DPO10-3092-01	(25PK) SCREW PHP M3 X 6MM CRES ROHS	
12	DPO10-3093-01	(25PK) WASHER M3 EXT TOOTH LOCK CRES ROHS	
13	DPO10-3085-01	(25PK) SCREW SOC HD CAP W/ LW M4 X 6 ROHS	
14	DPO10-3085-03	(25PK) SCREW SOC HD CAP W/ LW M4 X 10 ROHS	
16	DPO10-3066-04	(25PK) SCREW FLAT HEAD SS M4 X 12 ROHS	
17	32-2550-01	CABLE ASSEMBLY RIBBON SAVER POWER ROHS	Not shown
18	---	TIE TWIST LOCK ROHS	
101	DPO10-3126-01	(50PK) WASHER FLAT ROHS	
102	DPO10-3085-14	(25PK) SCREW SHC W/ LK COMP M4 X 12 ROHS	
104	DPO10-2843-01	(50PK) SCRW #6-32 X 1/8 SKT SET FLAT ROHS	

Brake Assembly (24-2611-01)



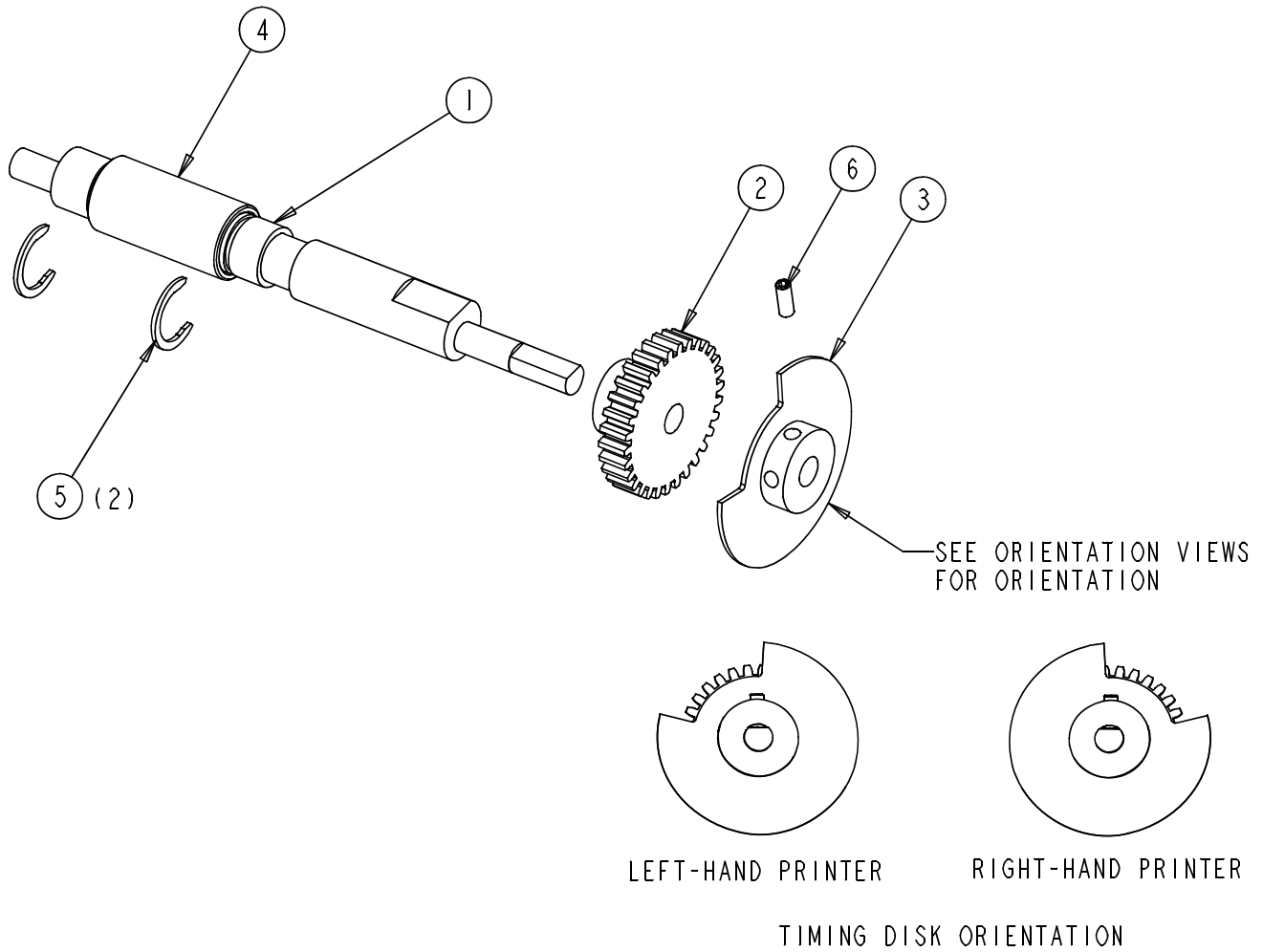
Item	Part Number	Description	Notes
1	12-3222-01	BLOCK MOUNTING BRAKE ROHS	
2	12-3260-01	SHAFT RIBBON SAVER ROHS	
3	16-2905-01	GEAR BEVEL ROHS	
4	15-2996-03	BRAKE 24 VOLT (MOD) ROHS	
8	DPO10-2976-01	(50PK) SET SCREW M3 X 8 ROHS	
9	DPO10-0557-01	(50PK) SCREW SOC HD CAP 4-40 X 1/4 ROHS	
10	DPO899349	(10PK) BEARING - FLANGED .312 ROHS	
11	DPO10-3021-06	(10PK) E-RING 5/16 CRES ROHS	
12	DPO10-3019-02	(50PK) WASHER SPLIT LOCK #4 CRES ROHS	

Brake Assembly (24-2611-02)



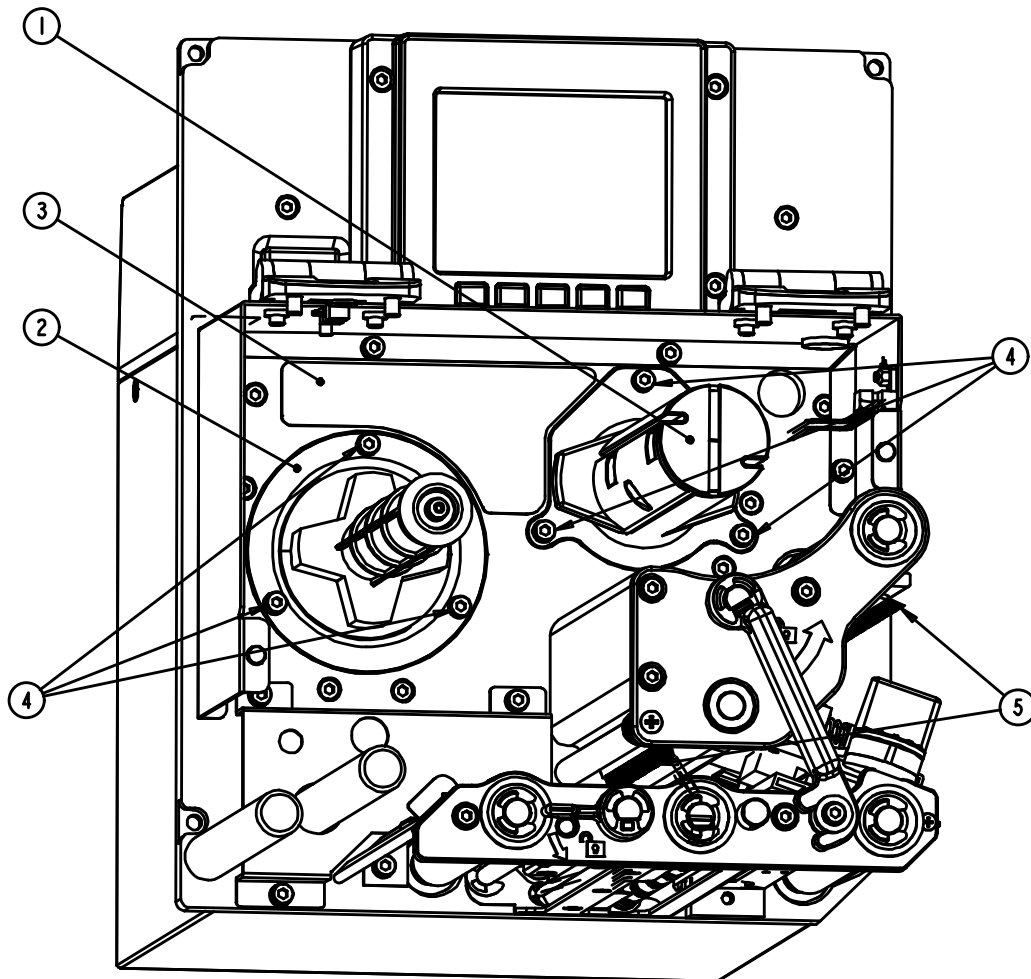
Item	Part Number	Description	Notes
1	12-3222-01	BLOCK MOUNTING BRAKE ROHS	
2	12-3260-01	SHAFT RIBBON SAVER ROHS	
3	16-2905-01	GEAR BEVEL ROHS	
4	15-2996-03	BRAKE 24 VOLT (MOD) ROHS	
8	DPO10-2976-01	(50PK) SET SCREW M3 X 8 ROHS	
9	DPO10-0557-01	(50PK) SCREW SOC HD CAP 4-40 X 1/4 ROHS	
10	DPO899349	(10PK) BEARING - FLANGED .312 ROHS	
11	DPO10-3021-06	(10PK) E-RING 5/16 CRES ROHS	
12	DPO10-3019-02	(50PK) WASHER SPLIT LOCK #4 CRES ROHS	

Ribbon Saver Cam Assembly (15-3002-01)



Item	Part Number	Description	Notes
1	12-3259-01	CAM RIBBON SAVER ROHS	
2	16-2936-01	GEAR 30 TEETH ROHS	
3	12-3238-01	DISK TIMING ROHS	
4	DPO17-2992-01	(5PK) BUSHING SLEEVE ROHS	
5	DPO10-3083-09	(10PK) RING RETAINING C 1/2" CRES ROHS	
6	DPO10-3025-05	(50PK) SCREW SET CUP POINT 6-32 X 3/16 SS ROHS	

Thermal Transfer



Four-Inch Right Hand Models (78-2448-41)

Item	Part Number	Description	Notes
1	15-3007-01	RIBBON TAKE-UP ASSY, 4", RH ROHS	See assembly details
2	15-2979-21	ASSY, HUB, RIB SUPPLY, 4", ROHS	See assembly details
3	14-2807-05	LABEL, LOADING, RH ROHS	
4	DPO10-3085-02	(25PK) SCREW, SH CAP W/ LW, M4 X 8 ROHS	
5	17-2715-01	BRUSH-STATIC 6.5" ROHS	

**Six-Inch Right Hand Models (78-2448-42)**

Item	Part Number	Description	Notes
1	15-3007-02	RIBBON TAKE-UP ASSY, 6", RH ROHS	See assembly details
2	15-2979-22	ASSY, HUB, RIB SUPPLY, 6", ROHS	See assembly details
3	14-2807-05	LABEL, LOADING, RH ROHS	
4	DPO10-3085-02	(25PK) SCREW, SH CAP W/ LW, M4 X 8 ROHS	
5	17-2716-01	BRUSH-STATIC 9.0" ROHS	

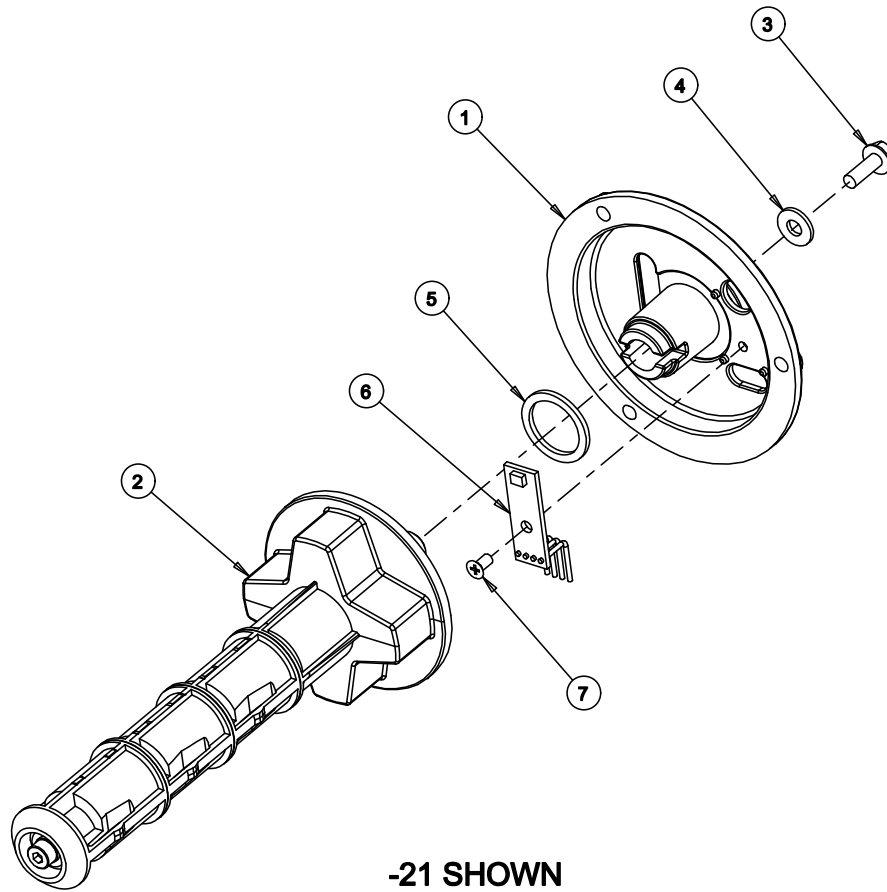
**Four-Inch Left Hand Models (78-2448-43)**

Item	Part Number	Description	Notes
1	15-3007-11	RIBBON TAKE-UP ASSY, 4", LH ROHS	See assembly details
2	15-2979-21	ASSY, HUB, RIB SUPPLY, 4", ROHS	See assembly details
3	14-2807-06	LABEL, LOADING, LH ROHS	
4	DPO10-3085-02	(25PK) SCREW, SH CAP W/ LW, M4 X 8 ROHS	
5	17-2715-01	BRUSH-STATIC 6.5" ROHS	

**Six-Inch Left Hand Models (78-2448-44)**

Item	Part Number	Description	Notes
1	15-3007-12	RIBBON TAKE-UP ASSY, 6", LH ROHS	See assembly details
2	15-2979-22	ASSY, HUB, RIB SUPPLY, 6", ROHS	See assembly details
3	14-2807-06	LABEL, LOADING, LH ROHS	
4	DPO10-3085-02	(25PK) SCREW, SH CAP W/ LW, M4 X 8 ROHS	
5	17-2716-01	BRUSH-STATIC 9.0" ROHS	

Ribbon Supply Hub Assembly



-21 SHOWN

Four-Inch Models, All (15-2979-21)

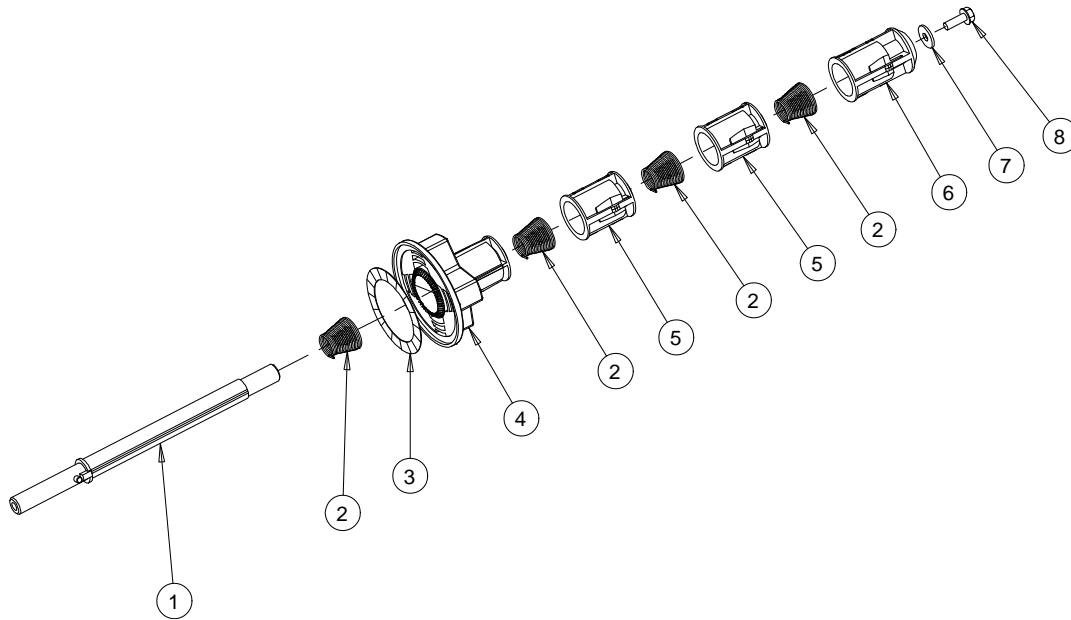
Item	Part Number	Description	Notes
1	12-3248-01	HOUSING RIBBON SUPPORT ROHS	
2	15-3044-11	HUB ASSY A-CLASS RIB SUP 4" ROHS	See assembly details
3	DPO10-2903-04	(50PK) SCRW SWGFRM M4 PHILIPS HD 12 ROHS	
4	DPO10-3018-04	(25PK) WASHER FLAT #8 CRES ROHS	
5	DPO17-2869-01	(50PK) WASHER FLAT NYLON ROHS	
6	51-2375-01	CCA RIBBON SENSOR A-CLASS ROHS	
7	DPO10-3088-01	(25PK) SCREW FLATHEAD CRES M3 X 6 ROHS	

Six-Inch Models, All (15-2979-22)

Item	Part Number	Description	Notes
1	12-3248-01	HOUSING RIBBON SUPPORT ROHS	
2	15-3044-12	HUB ASSY A-CLASS RIB SUP 6" ROHS	See assembly details
3	DPO10-2903-04	(50PK) SCRW SWGFRM M4 PHILIPS HD 12 ROHS	
4	DPO10-3018-04	(25PK) WASHER FLAT #8 CRES ROHS	
5	DPO17-2869-01	(50PK) WASHER FLAT NYLON ROHS	
6	51-2375-01	CCA RIBBON SENSOR A-CLASS ROHS	
7	DPO10-3088-01	(25PK) SCREW FLATHEAD CRES M3 X 6 ROHS	

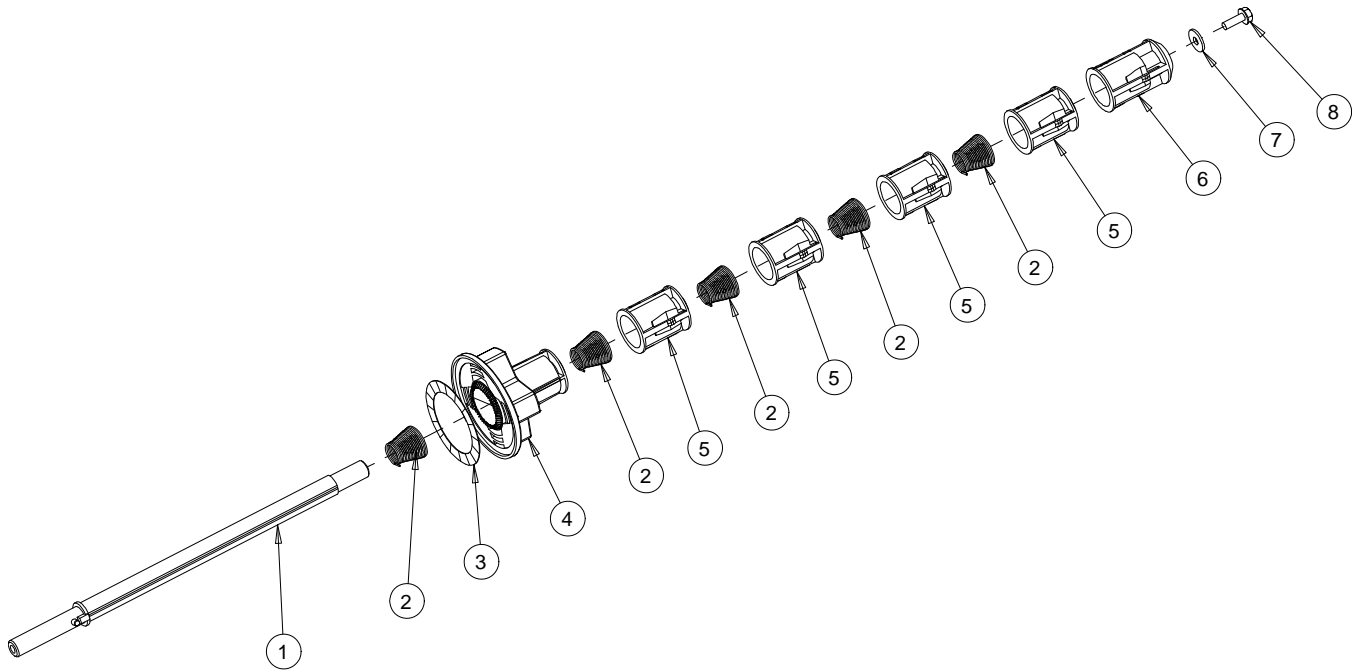


Ribbon Supply Hub, Four-Inch Models (15-3044-11)



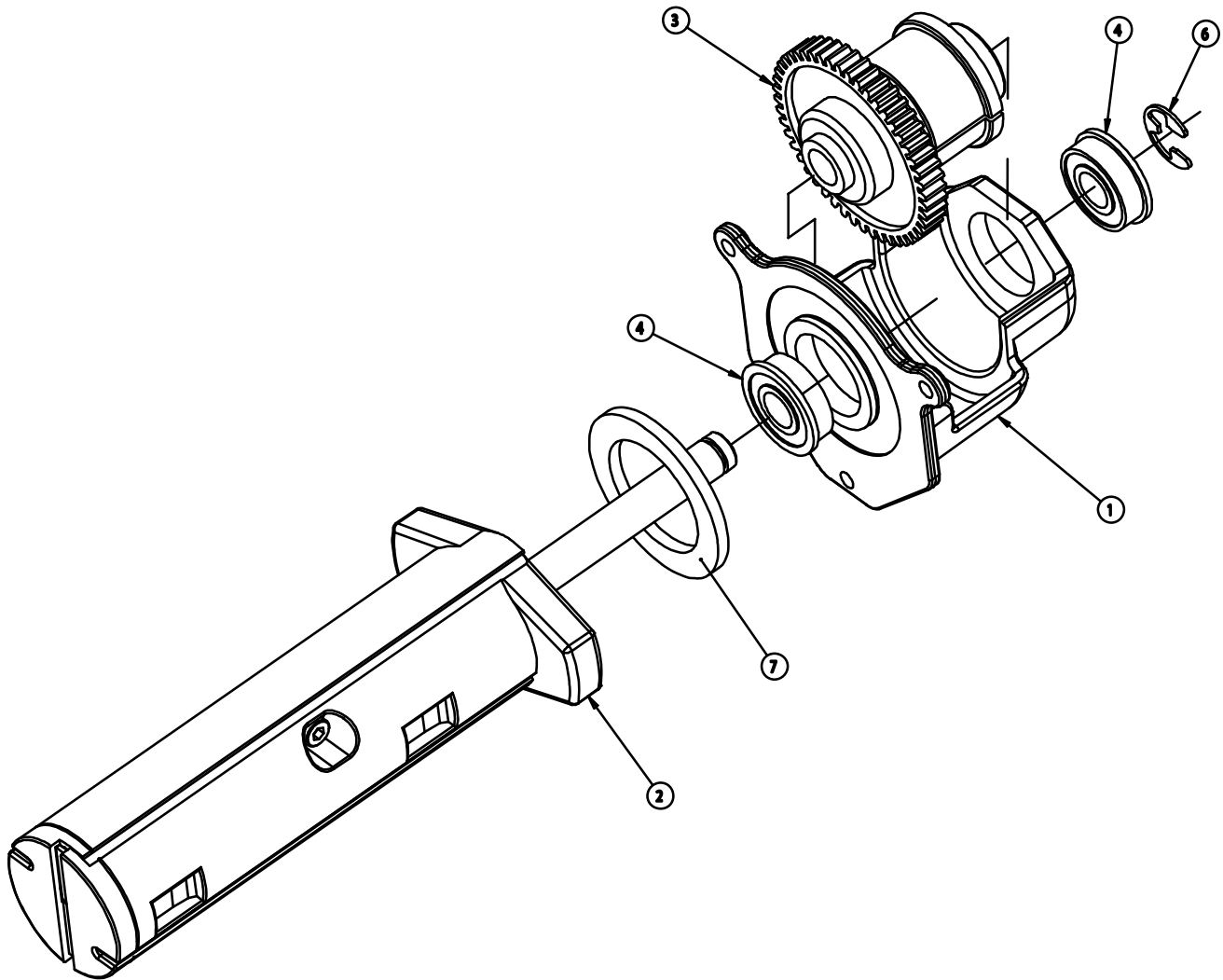
Item	Part Number	Description	Notes
1	16-3000-01	SHAFT FRICTION 4" ROHS	
2	DPO17-3071-01	(5PK) SPRING TORSION ROHS	
3	DPO14-2706-01	(10PK) LABEL RIBBON SENSOR ROHS	
4	16-2996-01	HUB INNER ROHS	
5	DPO16-2997-01	(2PK) HUB MIDDLE ROHS	
6	DPO16-2998-01	(2PK) HUB OUTER ROHS	
7	DPO10-3018-04	(25PK) WASHER FLAT #8 CRES ROHS	
8	DPO10-3085-04	(25PK) SCRW SH CAP W/ LW M4 X 12 ROHS	

Ribbon Supply Hub, Six-Inch Models (15-3044-12)



Item	Part Number	Description	Notes
1	16-3000-02	SHAFT FRICTION 6" ROHS	
2	DPO17-3071-01	(5PK) SPRING TORSION ROHS	
3	DPO14-2706-01	(10PK) LABEL RIBBON SENSOR ROHS	
4	16-2996-01	HUB INNER ROHS	
5	DPO16-2997-01	(2PK) HUB MIDDLE ROHS	
6	DPO16-2998-01	(2PK) HUB OUTER ROHS	
7	DPO10-3018-04	(25PK) WASHER FLAT #8 CRES ROHS	
8	DPO10-3085-04	(25PK) SCRW SH CAP W/ LW M4 X 12 ROHS	

Ribbon Take-up Assembly



Four-Inch Right Hand Models (15-3007-01)

Item	Part Number	Description	Notes
1	12-3225-01	HOUSING, RIBBON SPOOL ROHS	
2	15-2978-01	HUB ASSEMBLY TAKE-UP 4" ROHS	
3	DPR15-2776-21	(2/PK) CLUTCH ASSEMBLY, RIBBON REWIND	
4	17-3028-01	BEARING FLANGED 440C 3/8X7/8 ROHS	
6	DPO10-3021-07	(25PK) E-RING 3/8 TRUARC CRES ROHS	
7	DPO13-2409-01	(10PK) DISK FRICTION .125 THICK ROHS	

**Six-Inch Right Hand Models (15-3007-02)**

Item	Part Number	Description	Notes
1	12-3225-01	HOUSING, RIBBON SPOOL ROHS	
2	15-2978-02	HUB ASSEMBLY, TAKE-UP, 6" ROHS	
3	DPR15-2776-21	(2/PK) CLUTCH ASSEMBLY, RIBBON REWIND	
4	17-3028-01	BEARING FLANGED 440C 3/8X7/8 ROHS	
6	DPO10-3021-07	(25PK) E-RING 3/8 TRUARC CRES ROHS	
7	DPO13-2409-01	(10PK) DISK FRICTION .125 THICK ROHS	

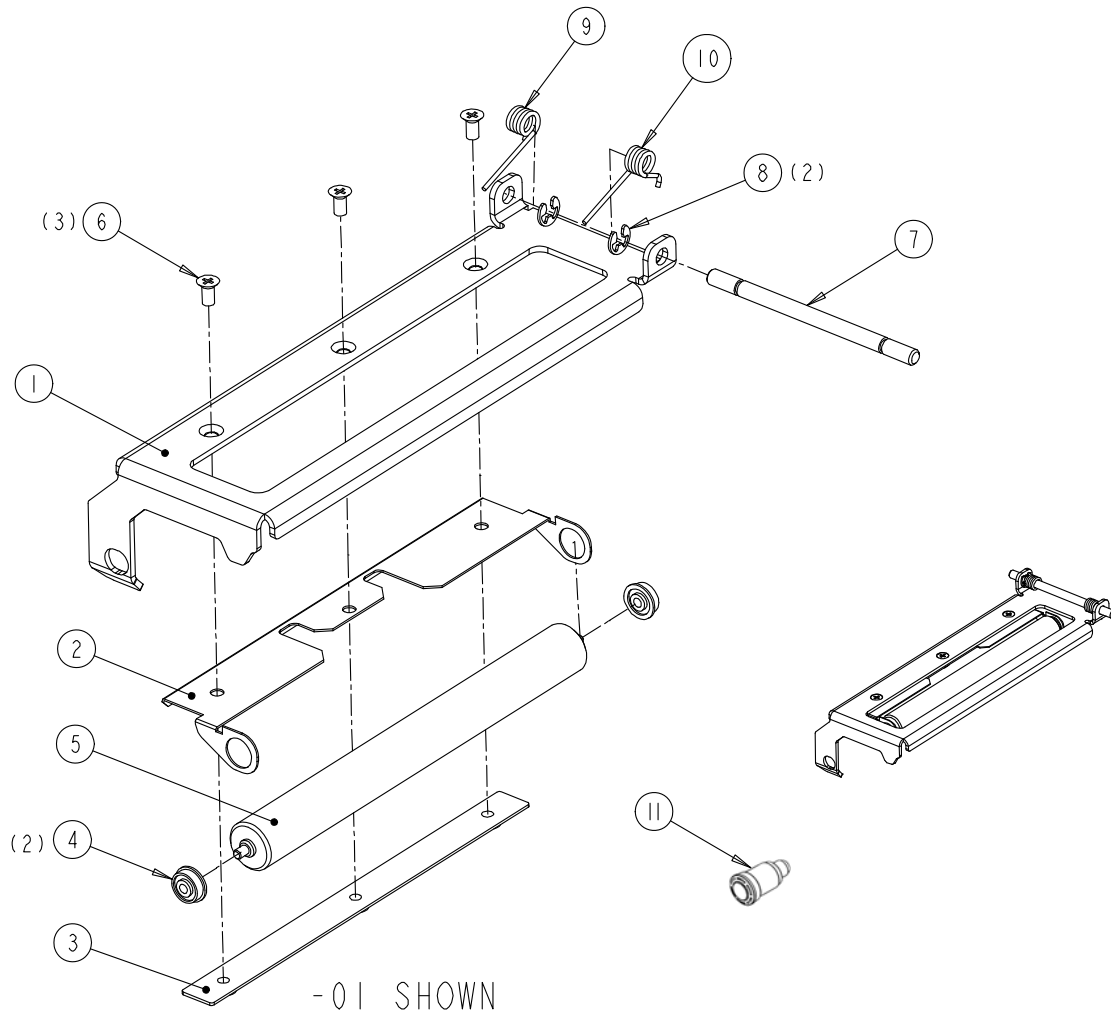
**Four-Inch Left Hand Models (15-3007-11)**

Item	Part Number	Description	Notes
1	12-3225-01	HOUSING, RIBBON SPOOL ROHS	
2	15-2978-01	HUB ASSEMBLY TAKE-UP 4" ROHS	
3	15-2776-22	CLUTCH ASSY RIBBON LH ROHS	
4	17-3028-01	BEARING FLANGED 440C 3/8X7/8 ROHS	
6	DPO10-3021-07	(25PK) E-RING 3/8 TRUARC CRES ROHS	
7	DPO13-2409-01	(10PK) DISK FRICTION .125 THICK ROHS	

**Six-Inch Left Hand Models (15-3007-12)**

Item	Part Number	Description	Notes
1	12-3225-01	HOUSING, RIBBON SPOOL ROHS	
2	15-2978-02	HUB ASSEMBLY, TAKE-UP, 6" ROHS	
3	15-2776-22	CLUTCH ASSY RIBBON LH ROHS	
4	17-3028-01	BEARING FLANGED 440C 3/8X7/8 ROHS	
6	DPO10-3021-07	(25PK) E-RING 3/8 TRUARC CRES ROHS	
7	DPO13-2409-01	(10PK) DISK FRICTION .125 THICK ROHS	

Top Pinch Roller, Right Hand Models



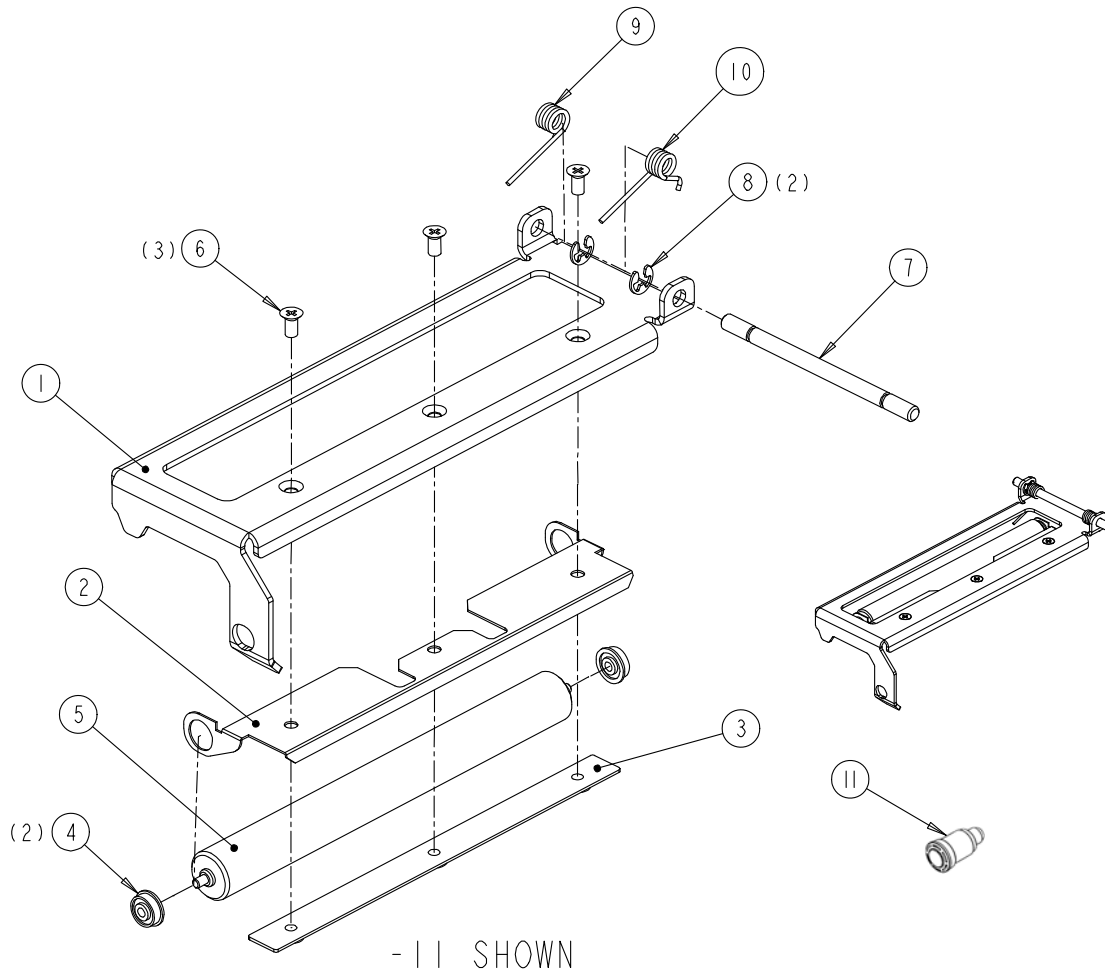
Four-Inch Right Hand Models (DPO78-2806-01)

Item	Part Number	Description	Notes
1	11-5789-01	G2 FRAME PINCH ROLLER 4" RH	
2	11-5787-01	G2 SPRING FLAT 4" FOR PINCH ROLLER	
3	11-5788-01	G2 PLATE SCREW 4" FOR PINCH ROLLER	
4	17-2856-01	BEARING BALL FL .0937 X .3125 ROHS	
5	12-3494-01	G2 ROLLER PINCH 4"	
6	DPO10-3088-01	(25PK) SCREW FLATHEAD CRES M3 X 6 ROHS	
7	12-3495-01	G2 ROD PINCH ROLLER PIVET	
8	DPO10-3021-03	(25PK) RING RETAINING 5/32 CRES ROHS	
9	17-3169-01	G2 SPRING TORSION .038 DIA LH	
10	17-3169-02	G2 SPRING TORSION .038 DIA RH	
11	10-3165-02	G2 PLUNGER SPRING LOAD 56-170-2-014	

**Six-Inch Right Hand Models (DPO78-2806-02)**

Item	Part Number	Description	Notes
1	11-5789-02	G2 FRAME PINCH ROLLER 6" RH	
2	11-5787-02	G2 SPRING FLAT 6" FOR PINCH ROLLER	
3	11-5788-02	G2 PLATE SCREW 6" FOR PINCH ROLLER	
4	17-2856-01	BEARING BALL FL .0937 X .3125 ROHS	
5	12-3494-02	G2 ROLLER PINCH 6"	
6	DPO10-3088-01	(25PK) SCREW FLATHEAD CRES M3 X 6 ROHS	
7	12-3495-01	G2 ROD PINCH ROLLER PIVET	
8	DPO10-3021-03	(25PK) RING RETAINING 5/32 CRES ROHS	
9	17-3169-01	G2 SPRING TORSION .038 DIA LH	
10	17-3169-02	G2 SPRING TORSION .038 DIA RH	
11	10-3165-02	G2 PLUNGER SPRING LOAD 56-170-2-014	

Top Pinch Roller, Left Hand Models



Four-Inch Left Hand Models (DPO78-2806-11)

Item	Part Number	Description	Notes
1	11-5797-01	G2 FRAME PINCH ROLLER LH 4"	
2	11-5787-01	G2 SPRING FLAT 4" FOR PINCH ROLLER	
3	11-5788-01	G2 PLATE SCREW 4" FOR PINCH ROLLER	
4	17-2856-01	BEARING BALL FL .0937 X .3125 ROHS	
5	12-3494-01	G2 ROLLER PINCH 4"	
6	DPO10-3088-01	(25PK) SCREW FLATHEAD CRES M3 X 6 ROHS	
7	12-3495-01	G2 ROD PINCH ROLLER PIVET	
8	DPO10-3021-03	(25PK) RING RETAINING 5/32 CRES ROHS	
9	17-3169-01	G2 SPRING TORSION .038 DIA LH	
10	17-3169-02	G2 SPRING TORSION .038 DIA RH	
11	10-3165-02	G2 PLUNGER SPRING LOAD 56-170-2-014	

**Six-Inch Left Hand Models (DPO78-2806-12)**

Item	Part Number	Description	Notes
1	11-5797-02	G2 FRAME PINCH ROLLER LH 6"	
2	11-5787-02	G2 SPRING FLAT 6" FOR PINCH ROLLER	
3	11-5788-02	G2 PLATE SCREW 6" FOR PINCH ROLLER	
4	17-2856-01	BEARING BALL FL .0937 X .3125 ROHS	
5	12-3494-02	G2 ROLLER PINCH 6"	
6	DPO10-3088-01	(25PK) SCREW FLATHEAD CRES M3 X 6 ROHS	
7	12-3495-01	G2 ROD PINCH ROLLER PIVET	
8	DPO10-3021-03	(25PK) RING RETAINING 5/32 CRES ROHS	
9	17-3169-01	G2 SPRING TORSION .038 DIA LH	
10	17-3169-02	G2 SPRING TORSION .038 DIA RH	
11	10-3165-02	G2 PLUNGER SPRING LOAD 56-170-2-014	