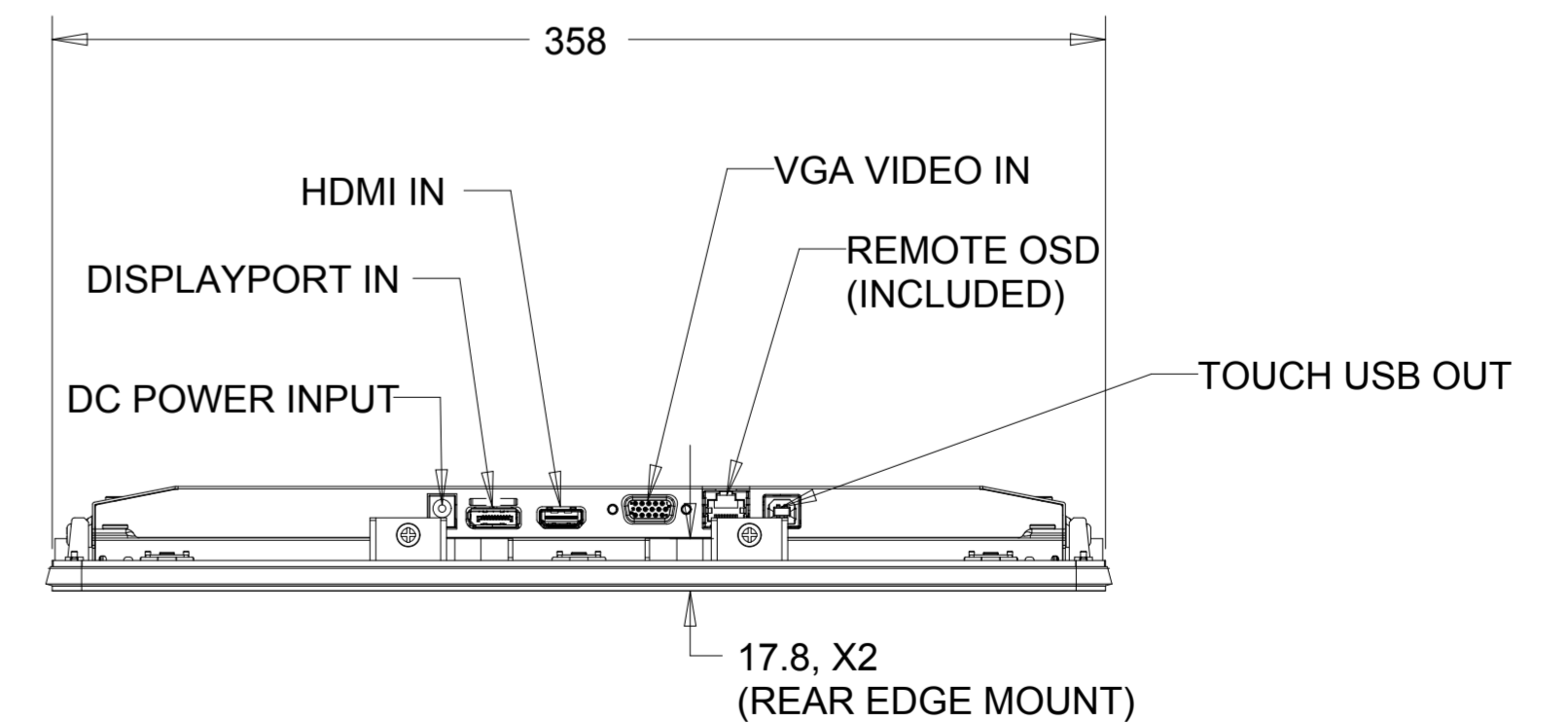
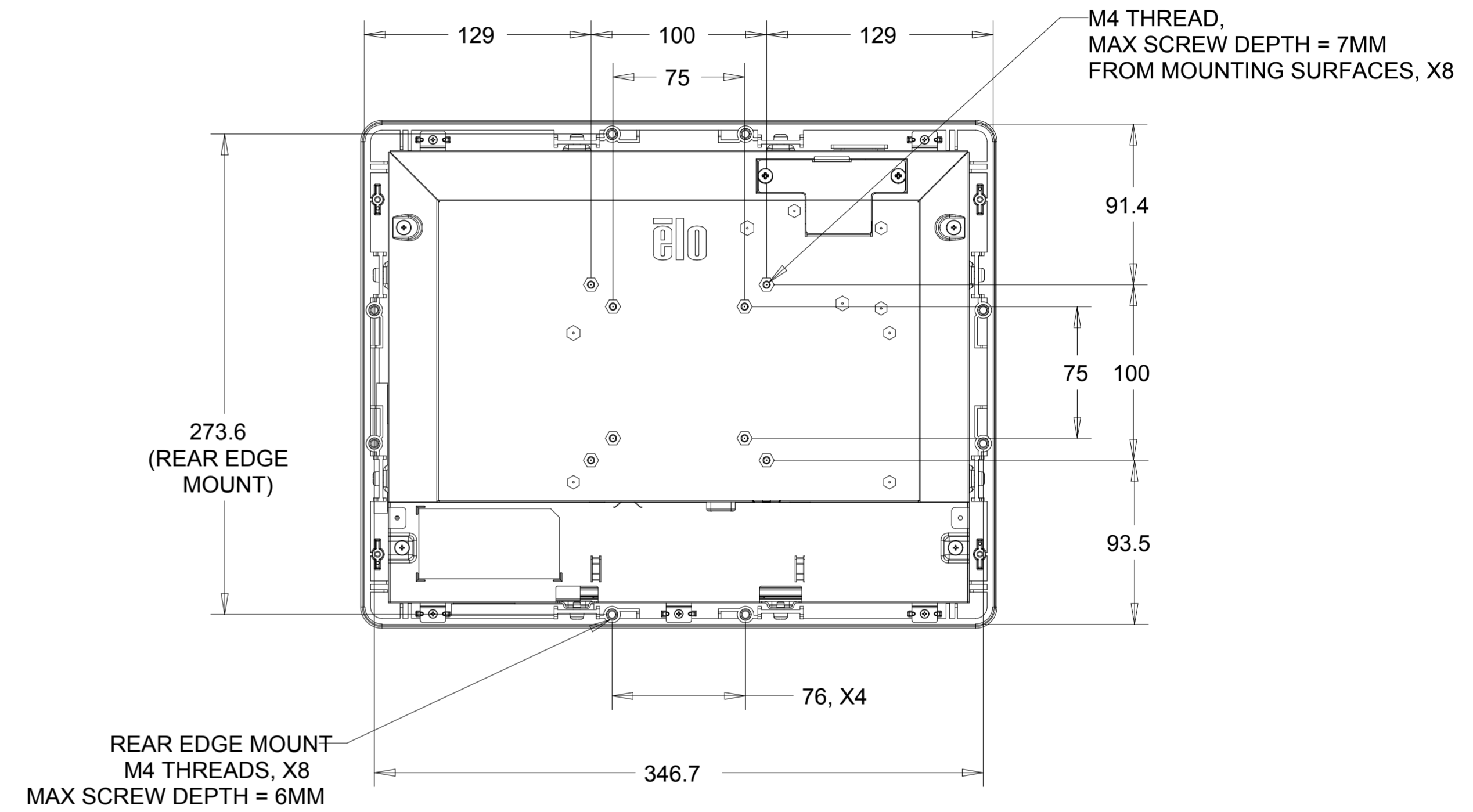
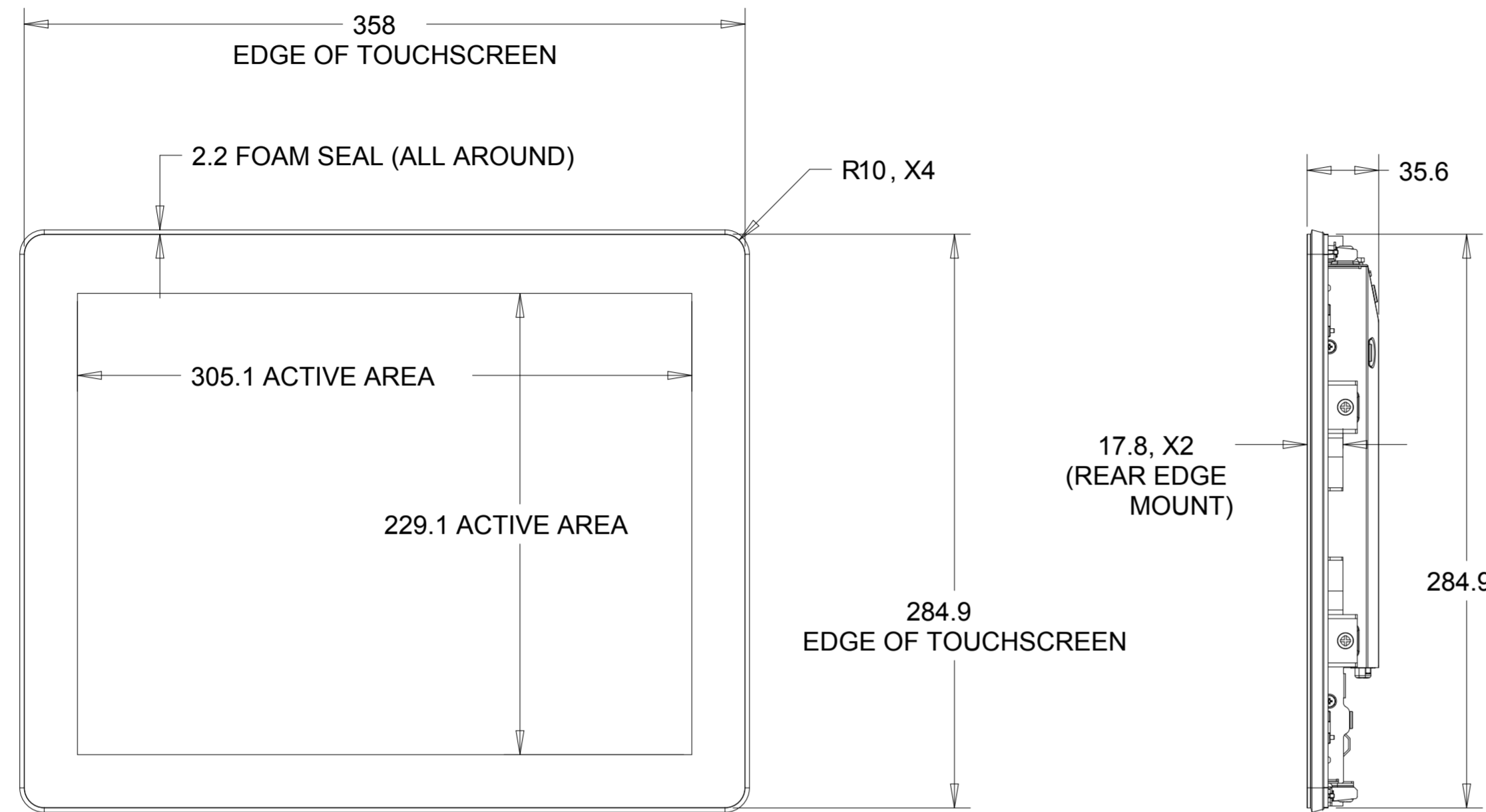
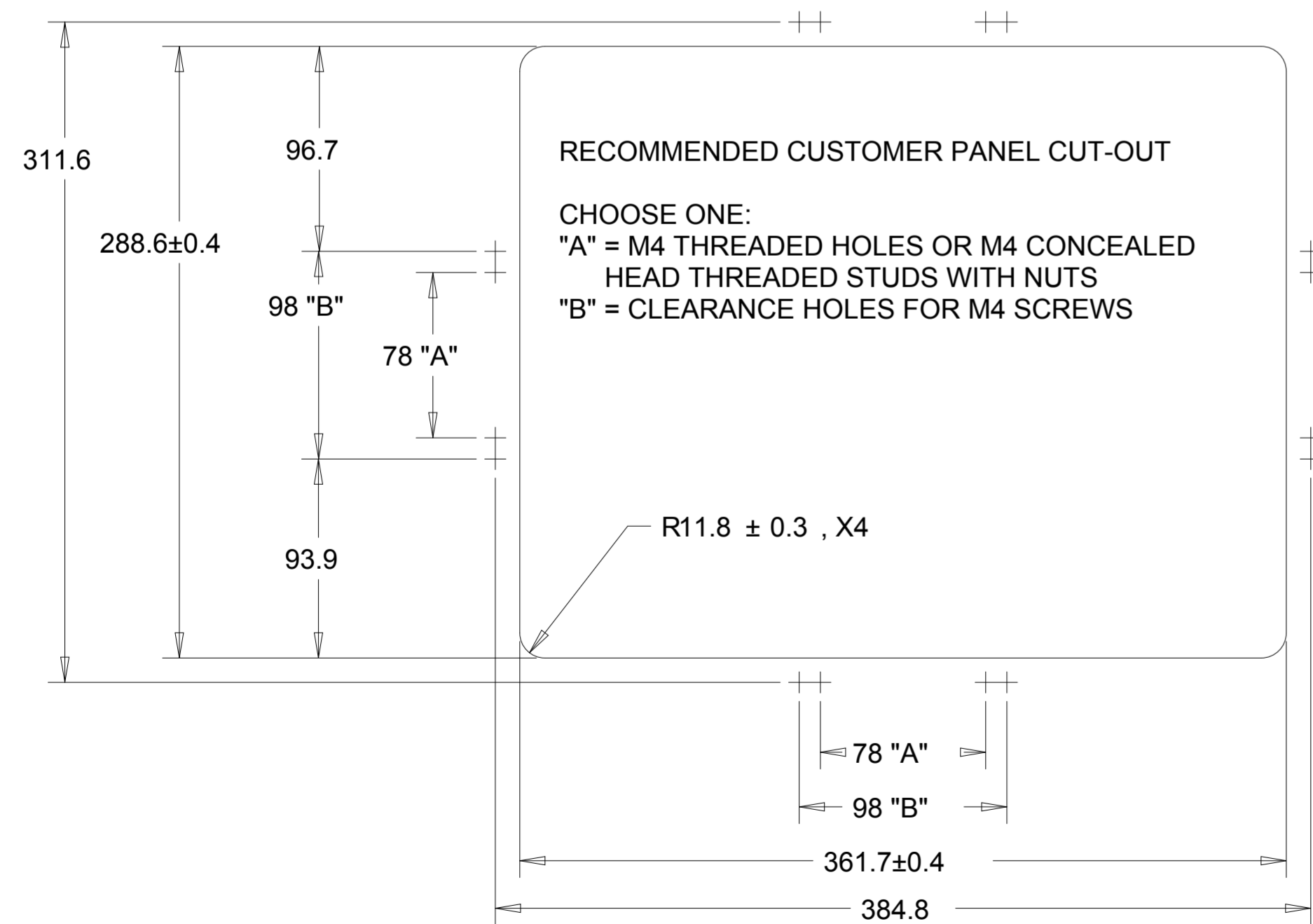
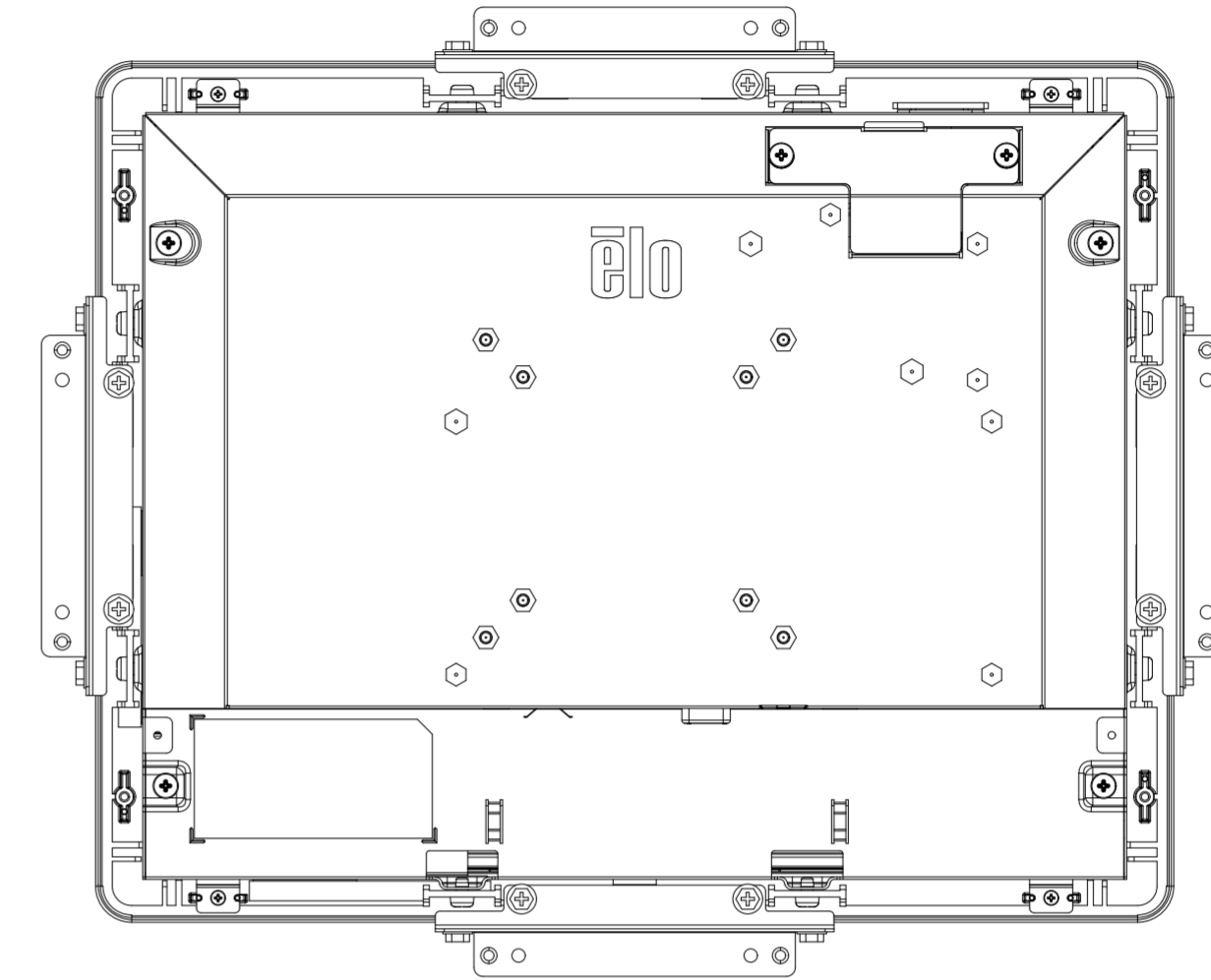
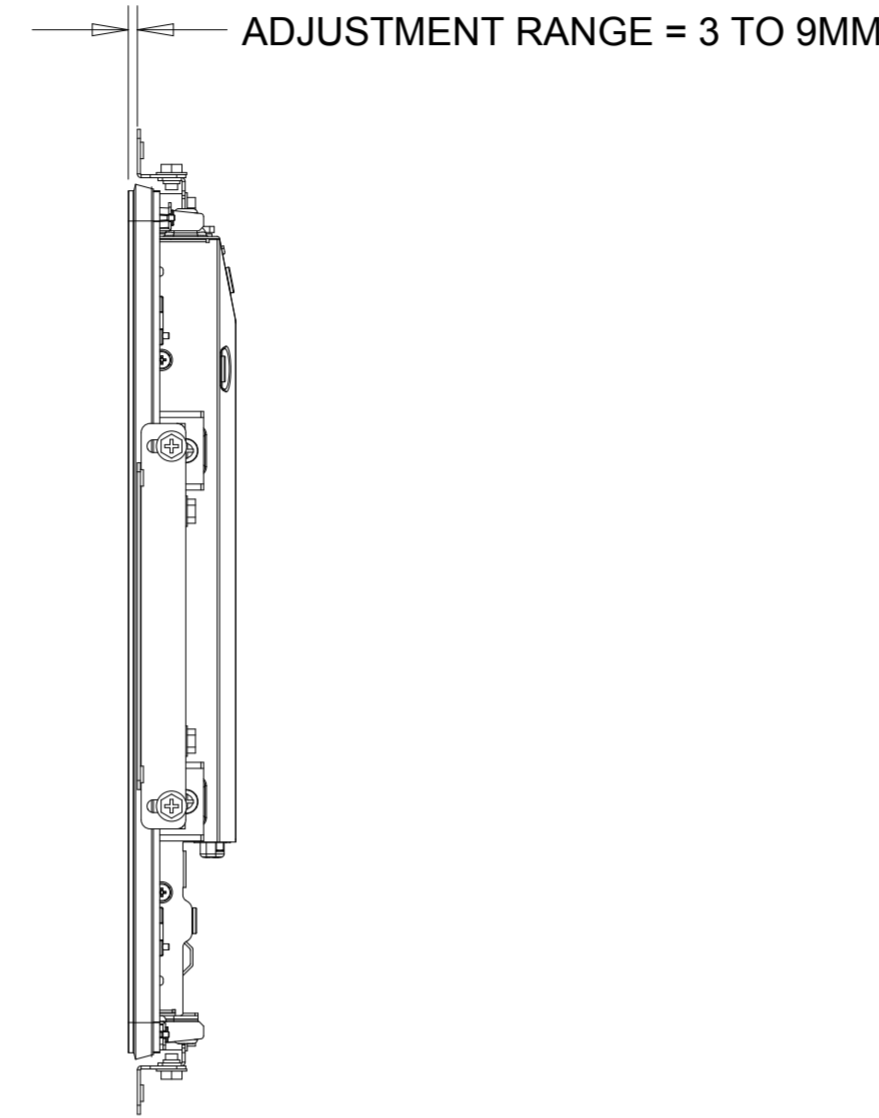
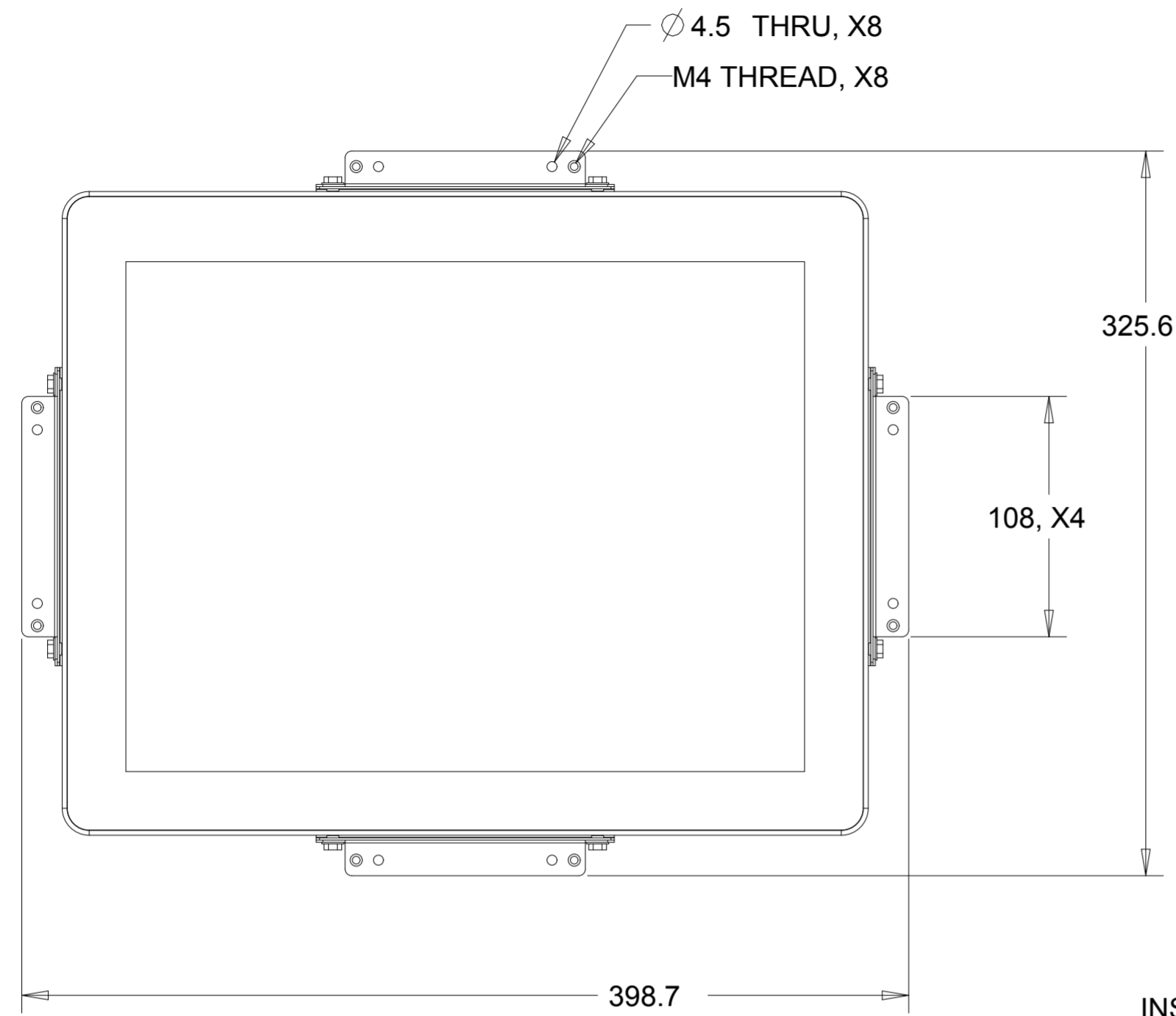


PROJECTED CAPACITIVE MODEL

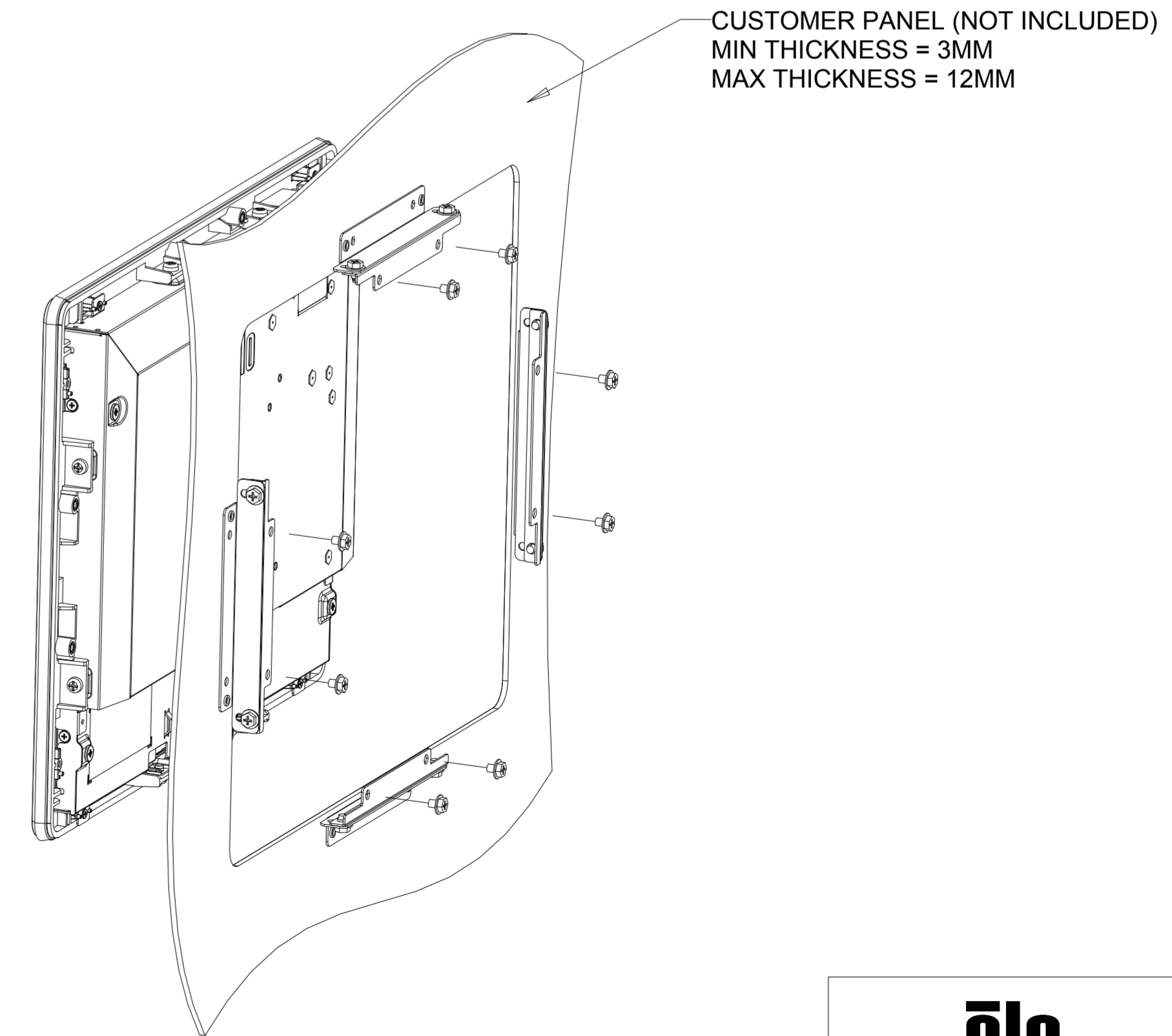
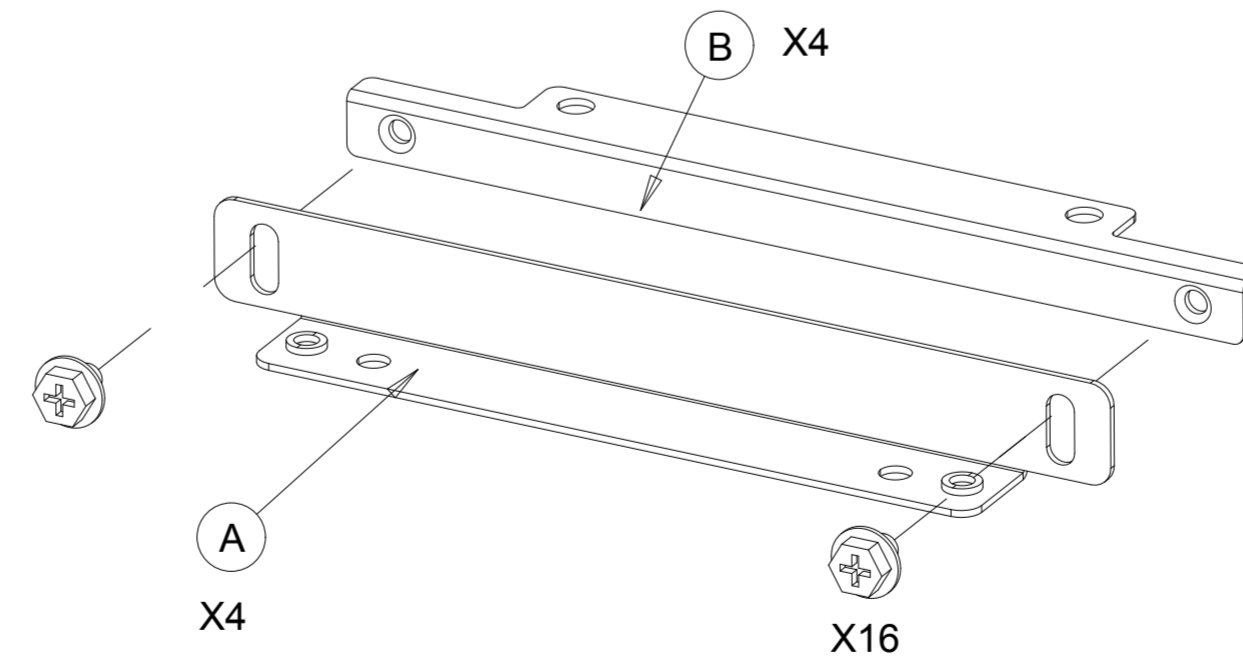


PROJECTED CAPACITIVE MODEL

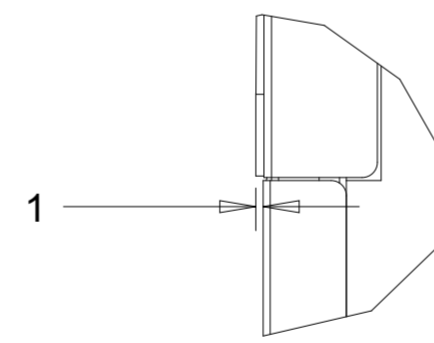
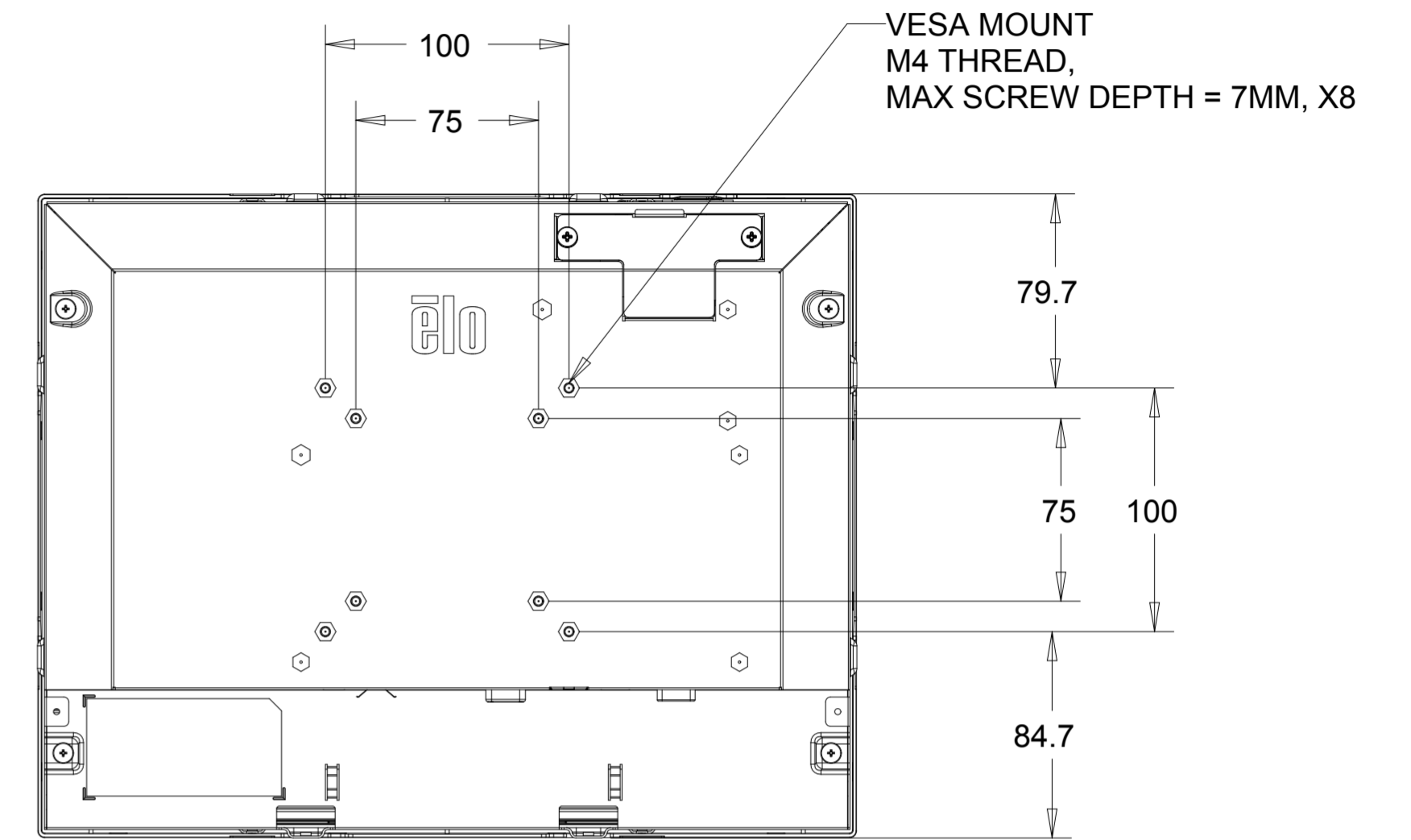
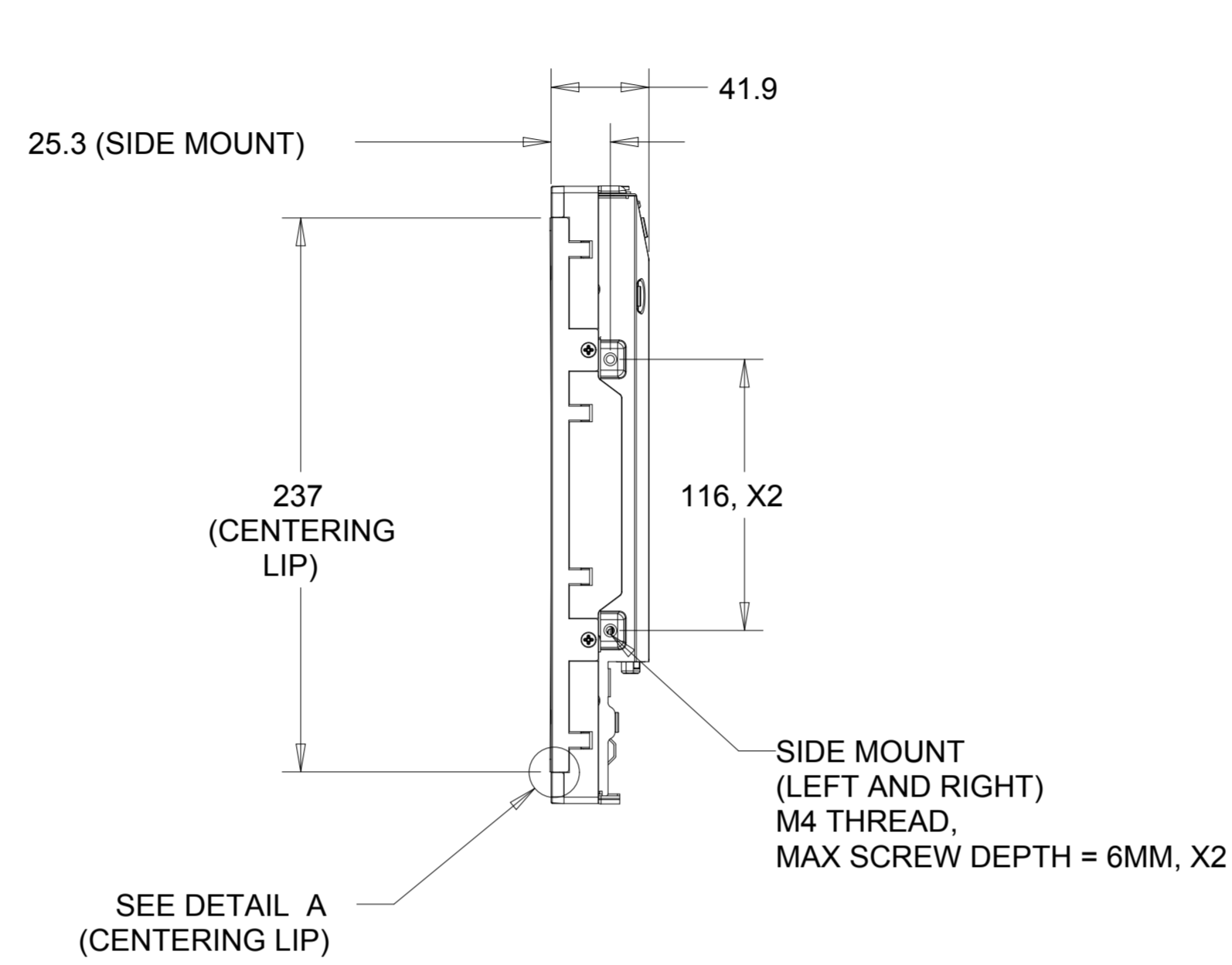
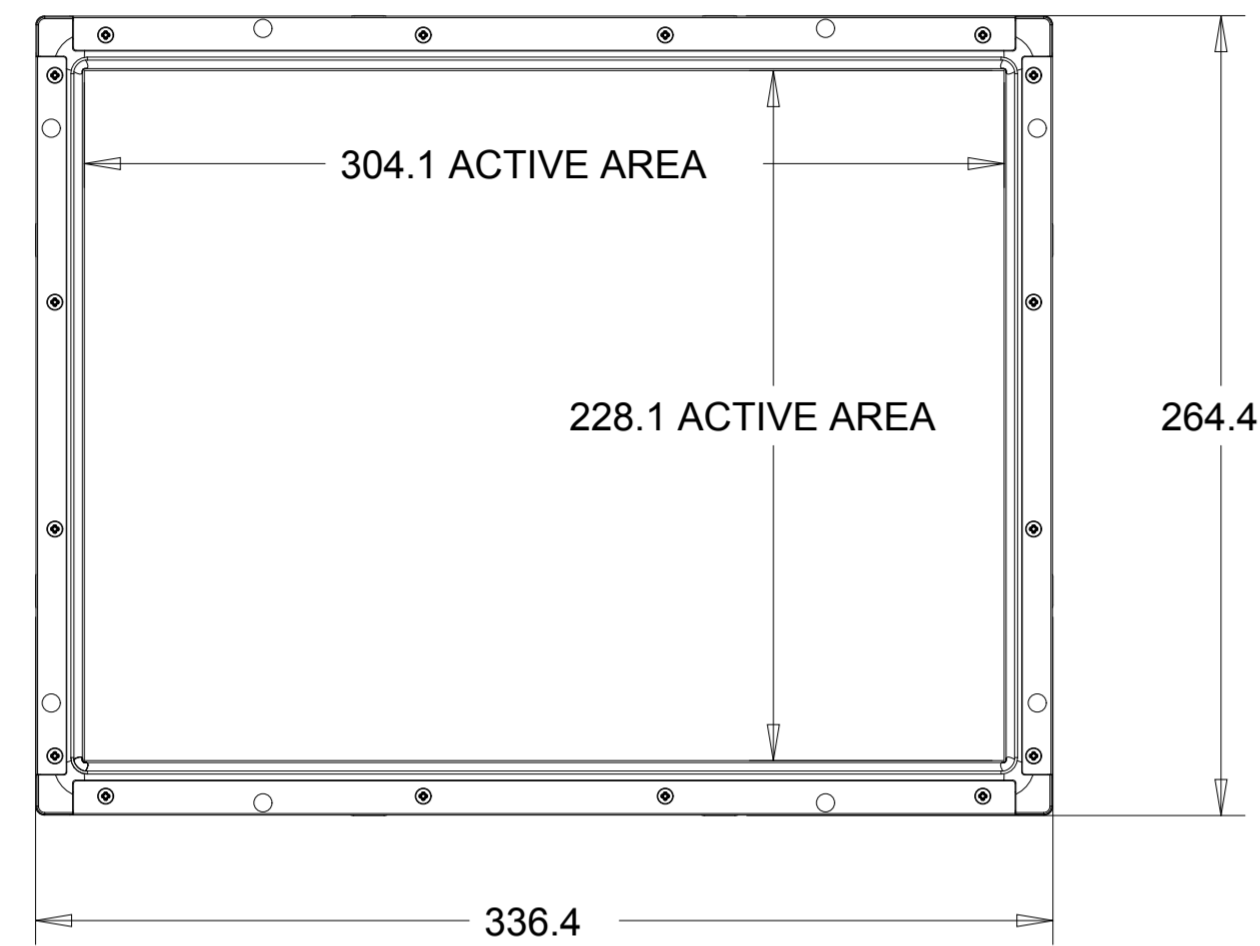
WITH FLUSH MOUNTING BRACKETS (4 SETS INCLUDED)
 REPLACEMENT BRACKET KIT P/N E139556 AVAILABLE SEPARATELY



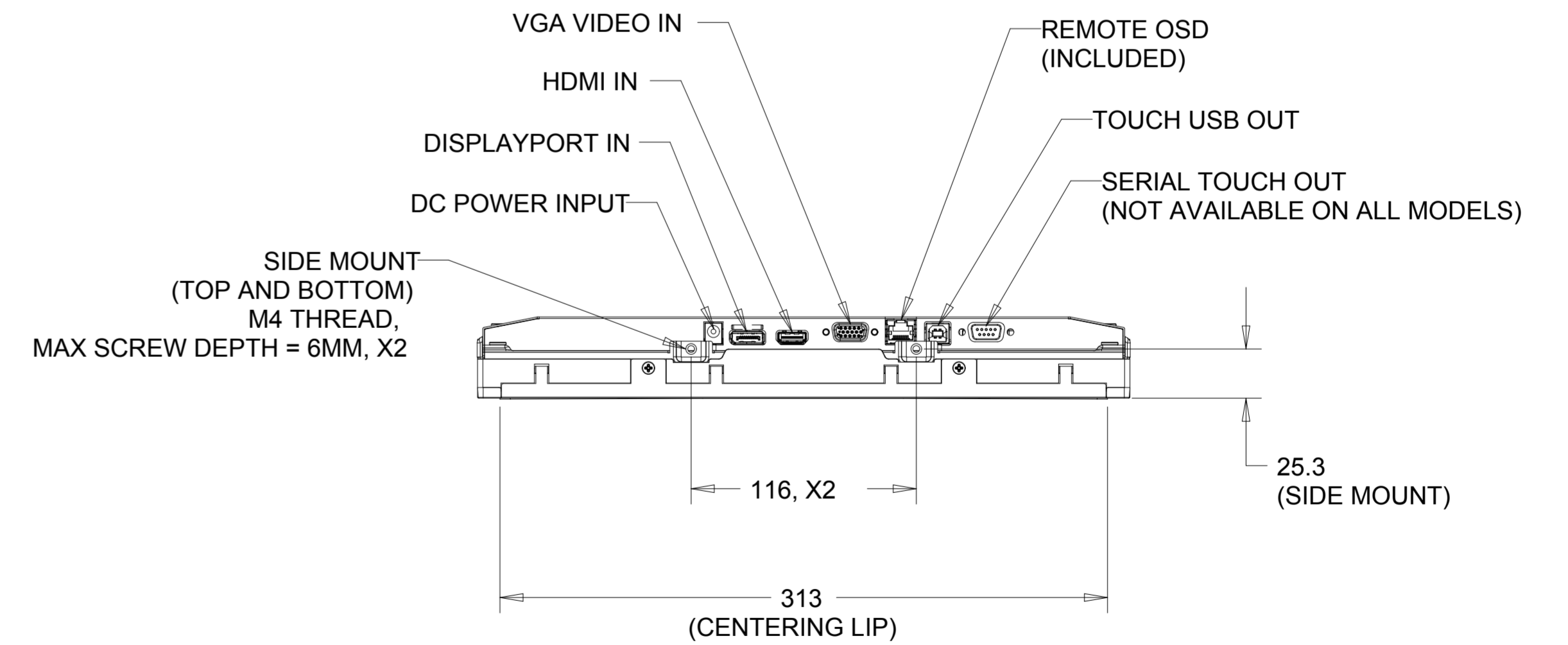
- INSTALLATION NOTES:
1. ATTACH BRACKET "A" TO CUSTOMER PANEL (ALL FOUR SIDES) WITH INCLUDED SCREWS
 2. ATTACH BRACKET "B" TO TOUCHMONITOR (ALL FOUR SIDES)
 3. PLACE TOUCHMONITOR INTO CUSTOMER PANEL OPENING, TAKING CARE NOT TO DAMAGE FOAM SEAL
 4. ADJUST DEPTH OF BRACKETS "B" SO THE MONITOR IS FLUSH WITH CUSTOMER PANEL
 5. SECURE TOUCHMONITOR TO BRACKET "B" FROM BEHIND WITH INCLUDED SCREWS



INTELLITOUCH, ACCUTOUCH, AND SECURETOUCH MODEL

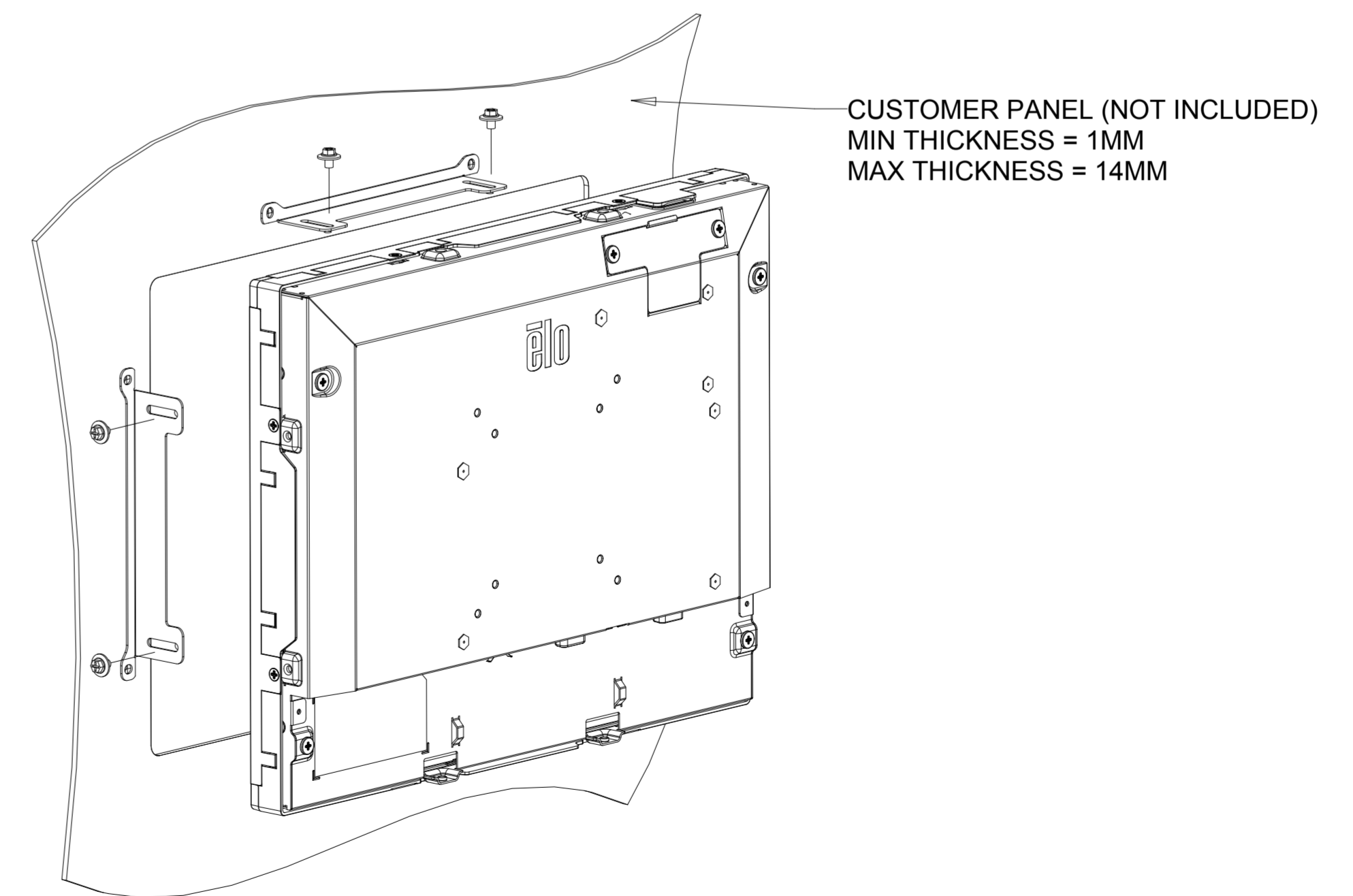
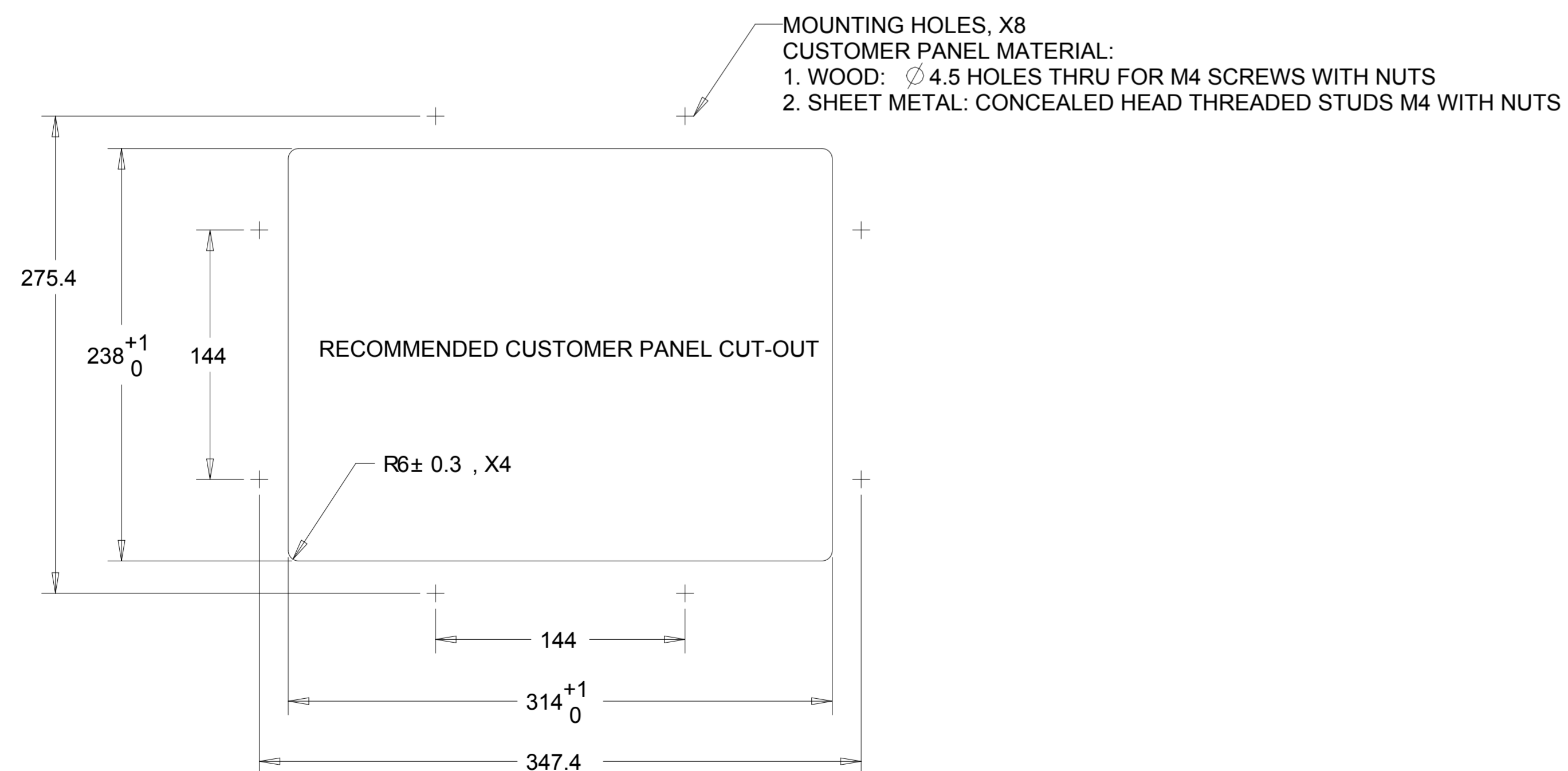
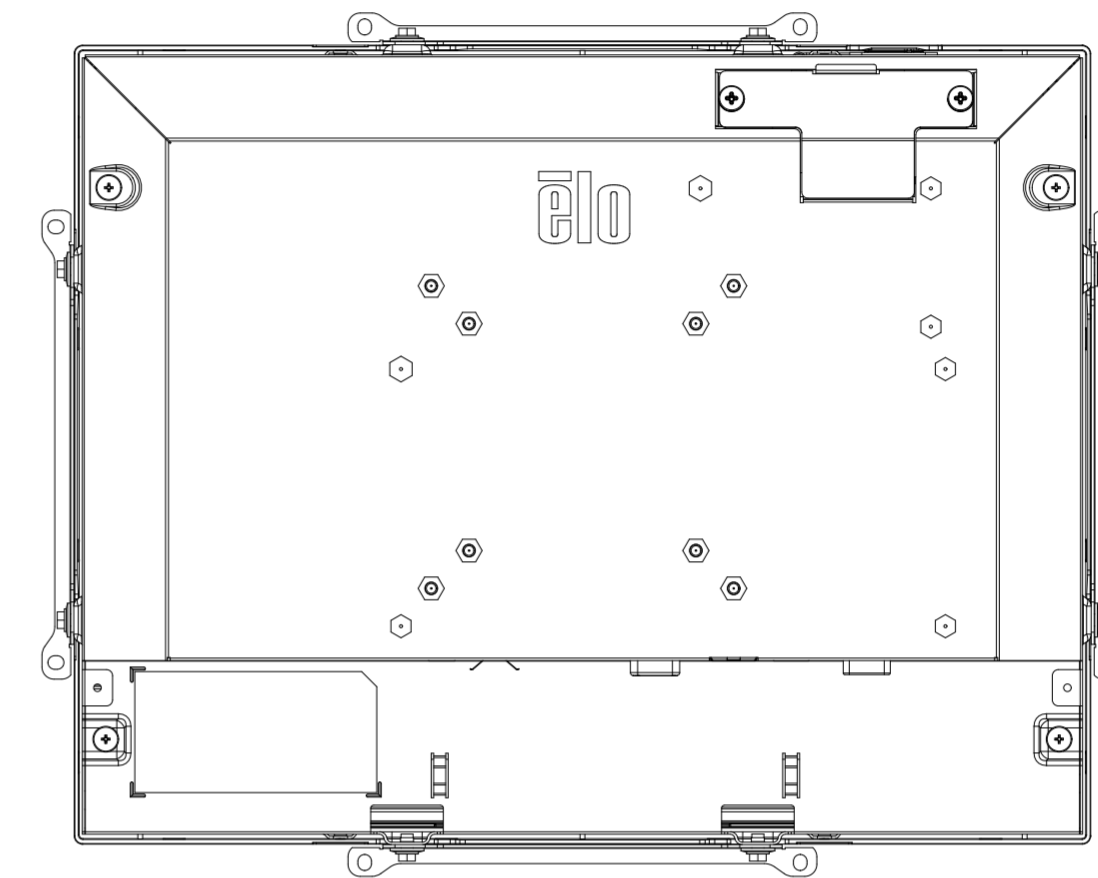
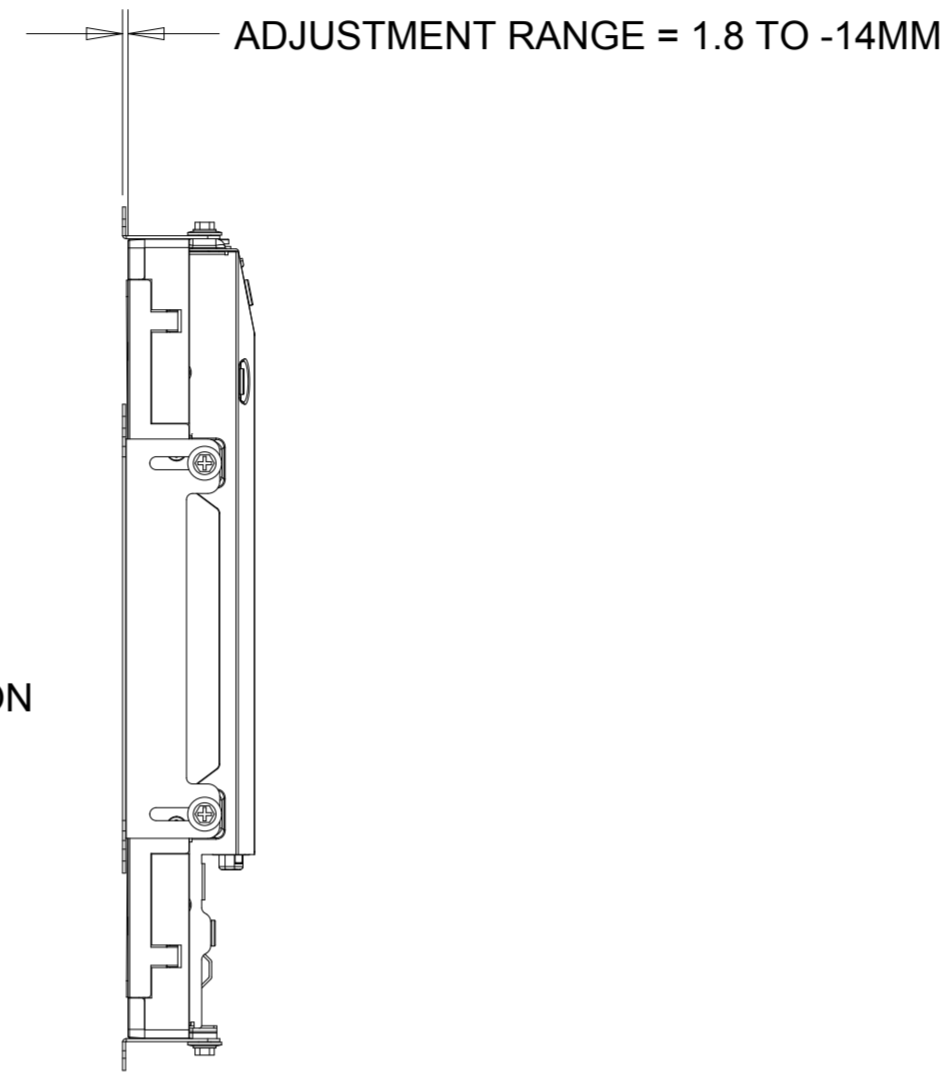
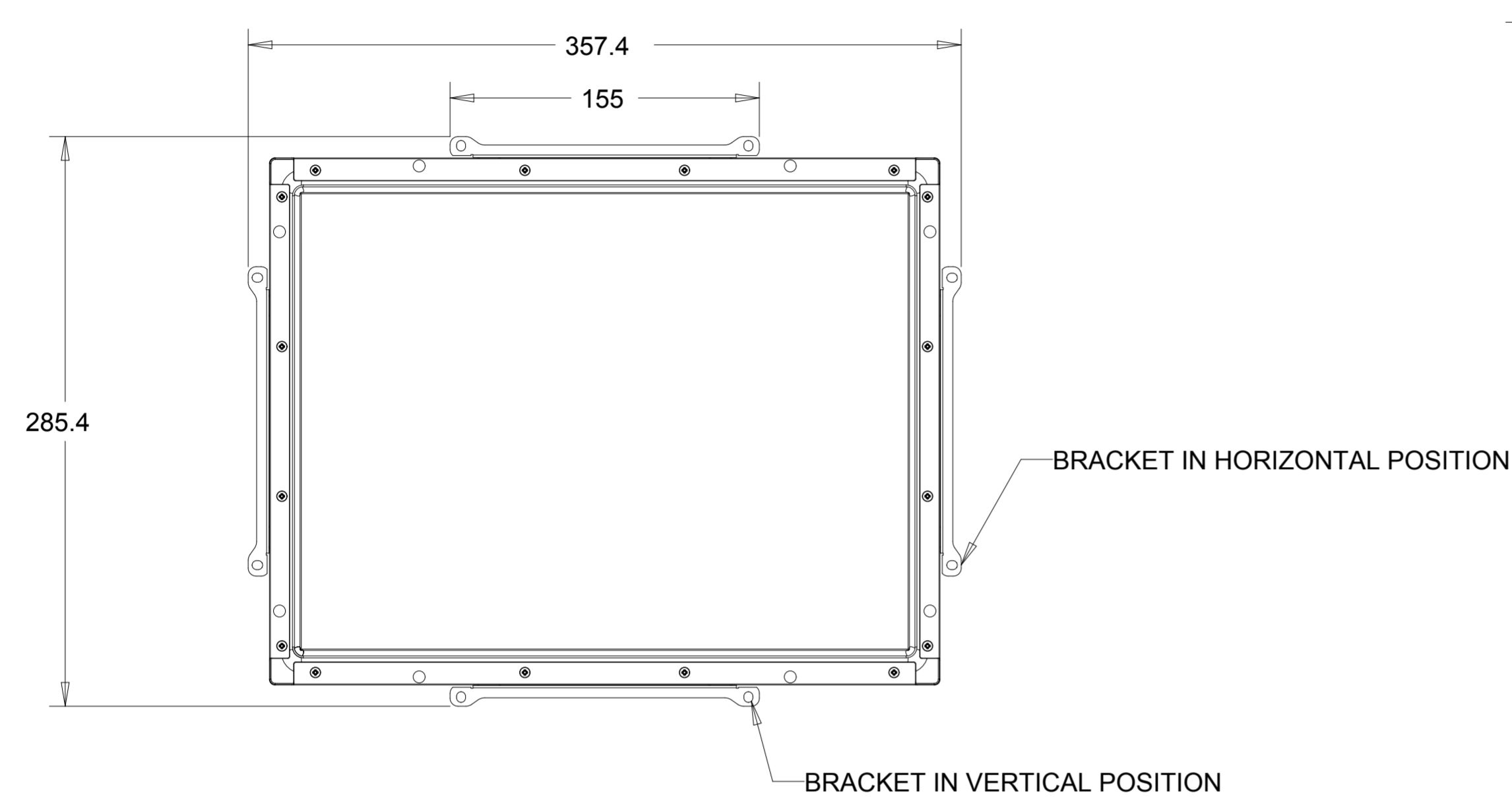


DETAIL A
(CENTERING LIP)
SCALE 2.000



INTELLITOUCH, ACCUTOUCH, AND SECURETOUCH MODEL

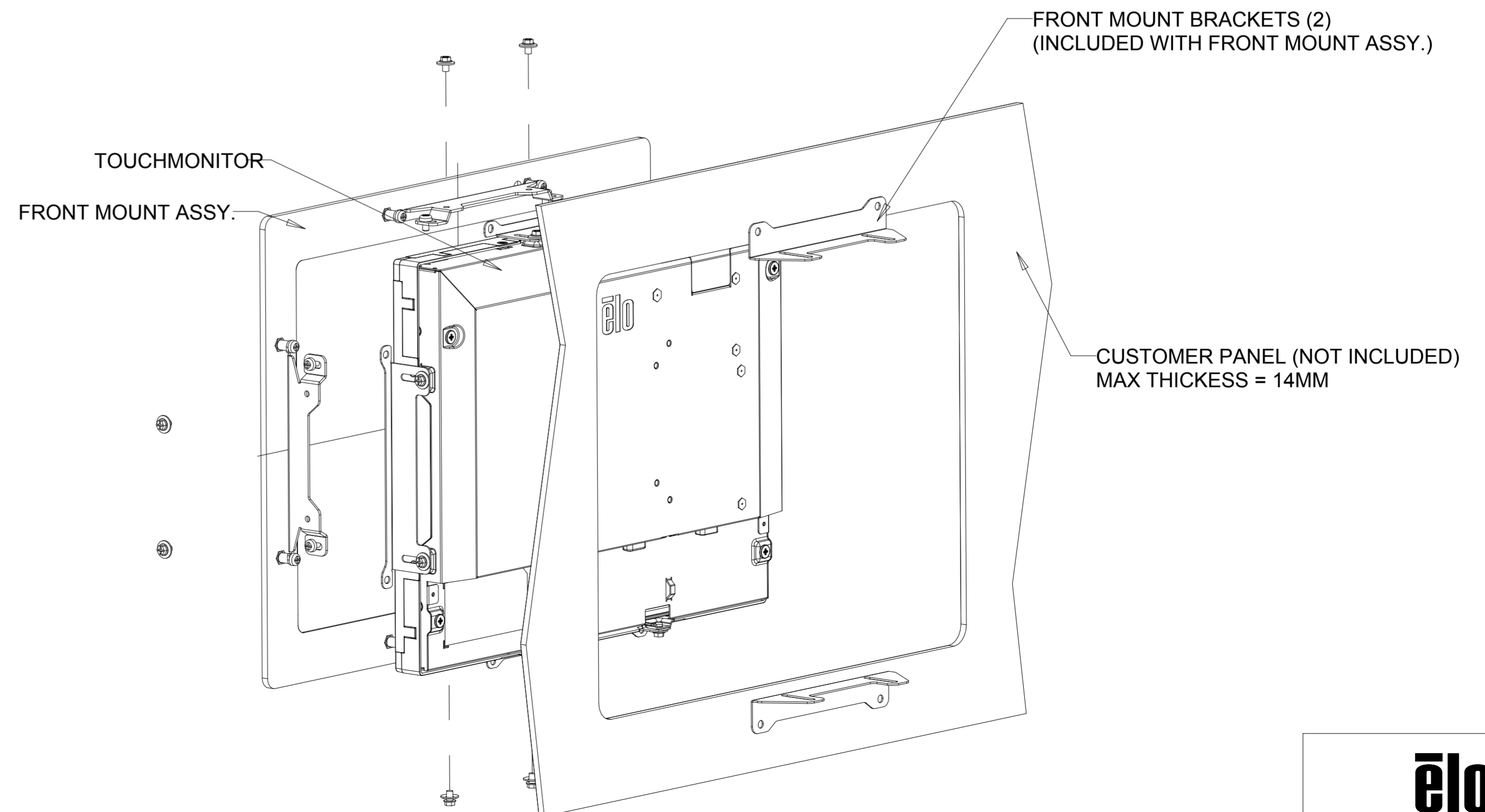
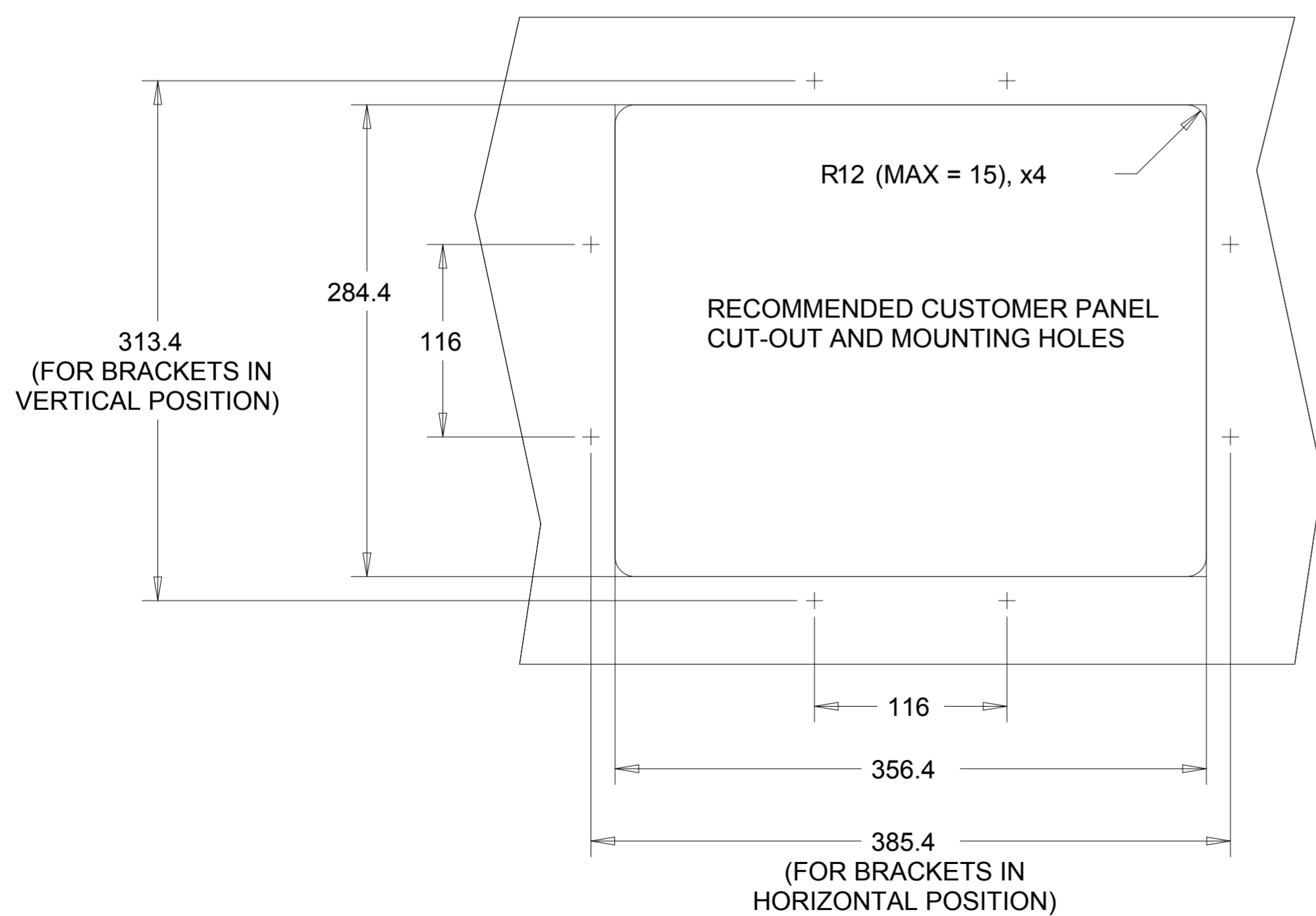
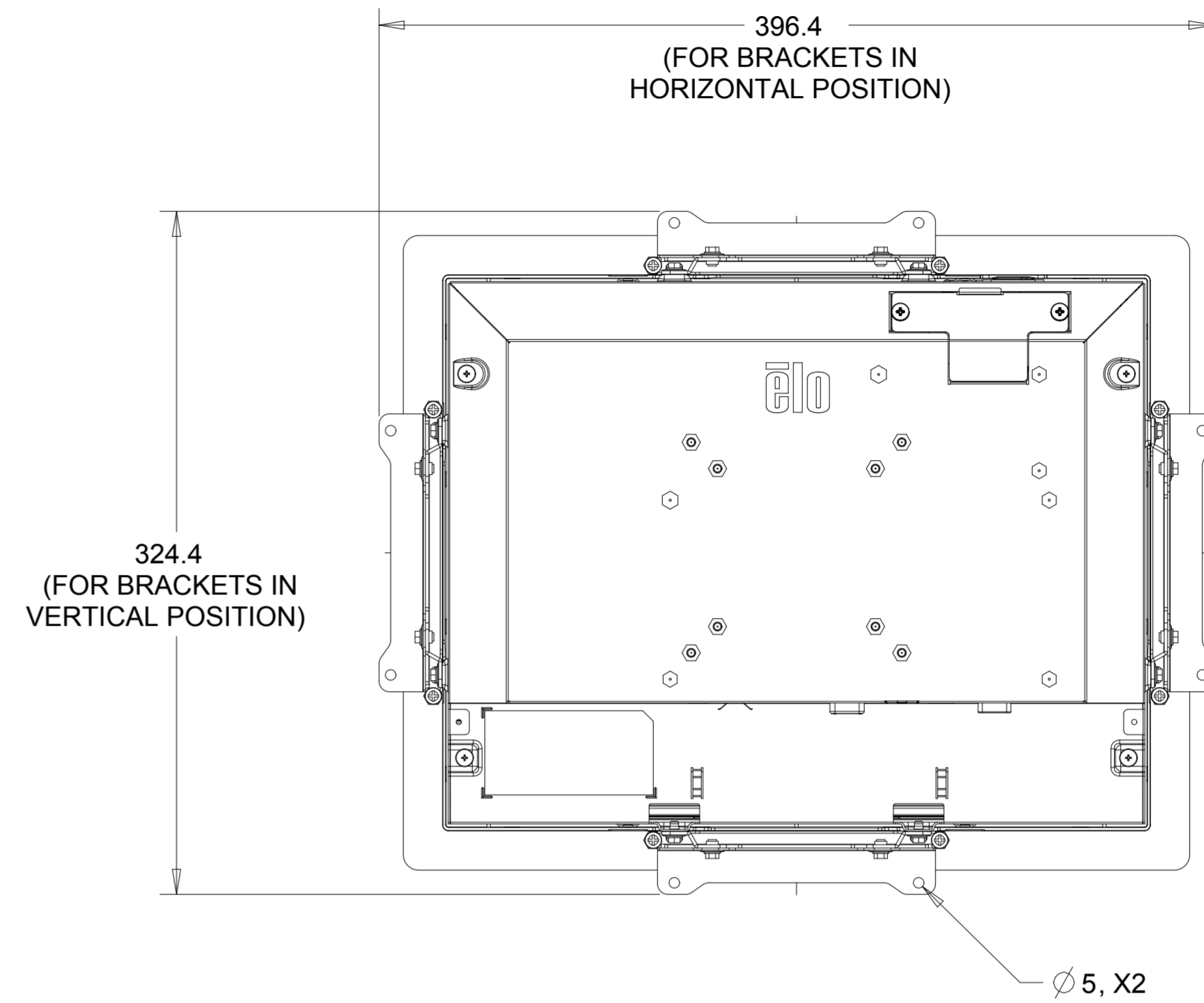
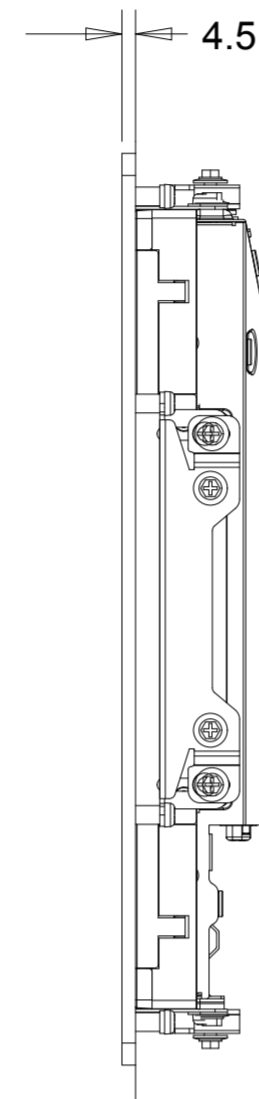
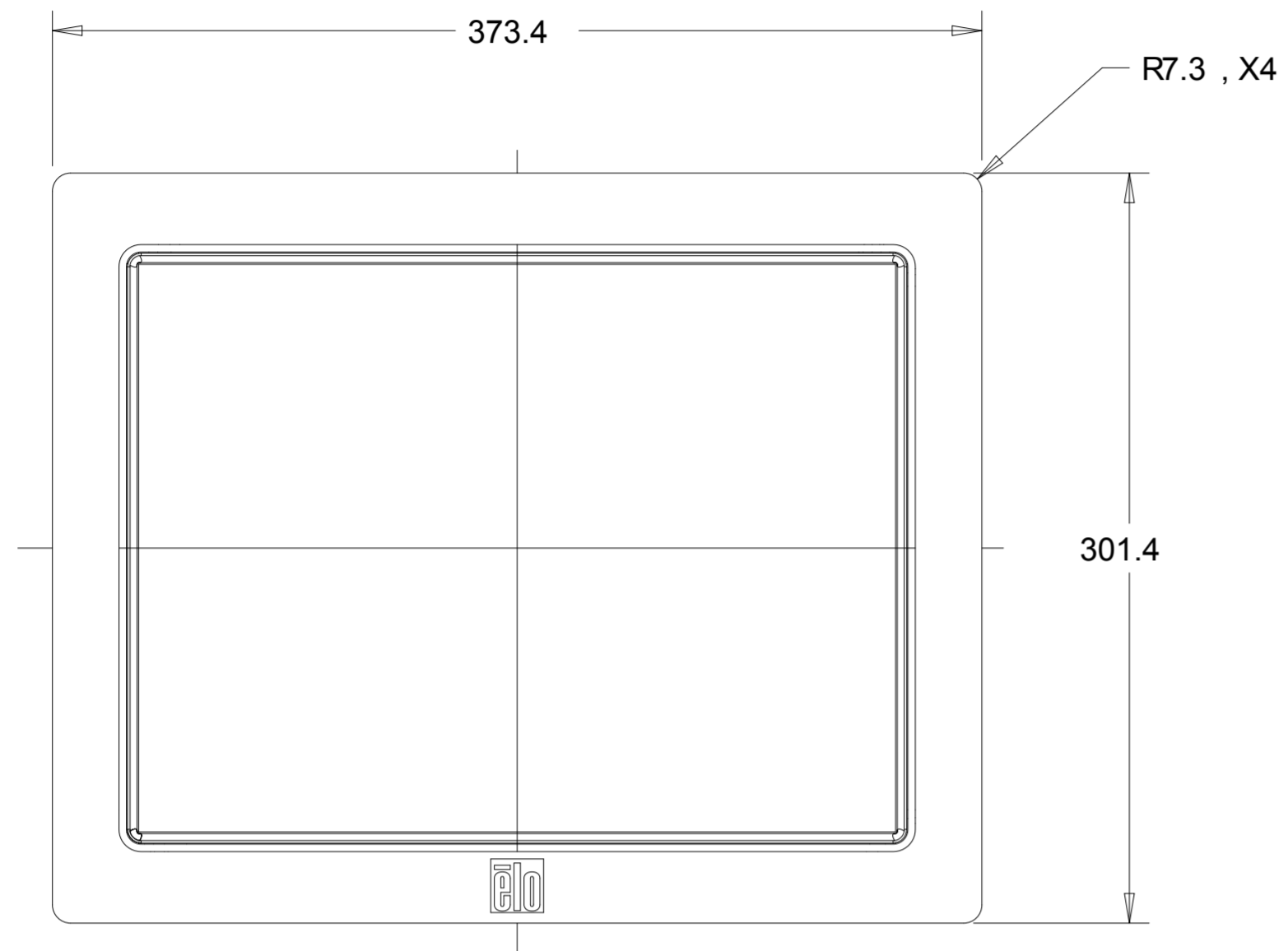
WITH SIDE MOUNTING BRACKETS (2 INCLUDED)
 REPLACEMENT BRACKET KIT P/N E203787 AVAILABLE SEPARATELY



INTELLITOUCH, ACCUTOUCH, AND SECURETOUCH MODEL

FRONT MOUNT OPTION

P/N E323425 ORDERED SEPARATELY, CUSTOMER ASSEMBLED



INTELLITOUCH, ACCUTOUCH, AND SECURETOUCH MODEL

RACK MOUNT OPTION

P/N E295006 ORDERED SEPARATELY, CUSTOMER ASSEMBLED

